



## Summary

- Summary.....1
- BAT F5.....2
- Technical Data.....3
- Actual lengths for BAT F5 tracks.....4
- Structure of standard BAT Conveyor.....5
- Fundamental characteristics of the chain guide channel.....6
- Chains.....11
- End motor drive .....18
- Central motor drive .....26
- Intermediate motor drive on chain return.....30
- How to write the order codes for motor drives.....34
- Motor drive in curve .....35
- Standard Returns .....38
- Safety protection devices on the end drives .....44
- Curves.....45
- Summarizing table of order codes for curves.....55
- Components for BAT F5 pallet conveyor systems .....56
- Lateral guides .....60
- Lateral guides accessories.....66
- Conveyor support systems.....71
- How to write the order codes for conveyor support systems .....76
- Conveyor support accessories.....77
- Stainless Steel BAT F5 .....84



**BAT is a modular system designed to make table-top chains conveyors suitable for several different industries.**



**Thanks to the vast range of components, the BAT system makes possible to produce any type of layout, adapting perfectly itself to fit the most complex situations.**

BAT F5 is a conveyor system that allows to use different types of table-top chains in steel and plastic with a width of 82.5 mm.

BAT F5 is an Italian product that can offer flexible solutions to a wide range of needs in the product handling process.

BAT F5 was designed to be easy to use, both by plant and machine builders and by companies that need to handle products.

BAT F5 is a practical system, that allows to use a vast range of accessories and standard components available on the market.

BAT F5 interfaces easily with other systems and allows to reuse different elements of related components.



## Technical Data\*

### ■ **Product dimensions: 20÷500 mm**

The geometric shape of the product to be handled influences the maximum width of products accommodated by the system. The system can handle products that are up to 5-6 times the chain width, provided that the barycentre of the product is in his centre. In any case, it is better to run trials to find out whether support guides are needed.

### ■ **Maximum product weight: 30 Kg horizontal transport - 15 Kg vertical transport**

The maximum weight of the product transported is limited to the need to minimize wear and tear of slideways in horizontal transport and flight resistance in vertical transport.

### ■ **Maximum weight on the conveyor: 150÷300 Kg**

The maximum weight depends essentially on the motor drive's tow capacity, the maximum admissible workload of the chain and the conveyor belt layout.

### ■ **Maximum conveyor length: 20÷25 m**

The maximum length of the conveyor depends on the total load, the motor drive capacity, the speed and the conveyor layout.

It is important to calculate and compare the maximum chain tension and the motor drive capacity in the following situations:

- Heavy loads
- Accumulation
- Vertical conveyor
- High speed
- Long conveyor
- Conveyor with flat plane curves or vertical curves
- Frequency of starts and stops

### ■ **Maximum conveyor speed: 60÷70 m/min**

The maximum speed of the conveyor depends on the total load and the motor drive capacity.

### ■ **Noise level of the conveyor:**

Various factors contribute to making the conveyor noisy:

- Products on the conveyor
- Conveyor speed
- Installation site
- Layout and size of the conveyor

After an initial period of running, the noise from the chain diminishes.

A higher speed will produce more noise.

At high speeds, the wide radius plane curves are quieter than disk curves.










### ■ **Temperature range: from -40° C to +80° C**

\* The data indicated above should be considered indicative of normal conveyor performance. For applications that have values outside of this range or have particular working conditions, please contact our technical office for a feasibility assessment.

## Actual lengths for BAT F5 tracks

The following table shows actual layouts of the various components, rounded to the successive 5 mm, in order to determine the quantity of chain needed to make the belt.

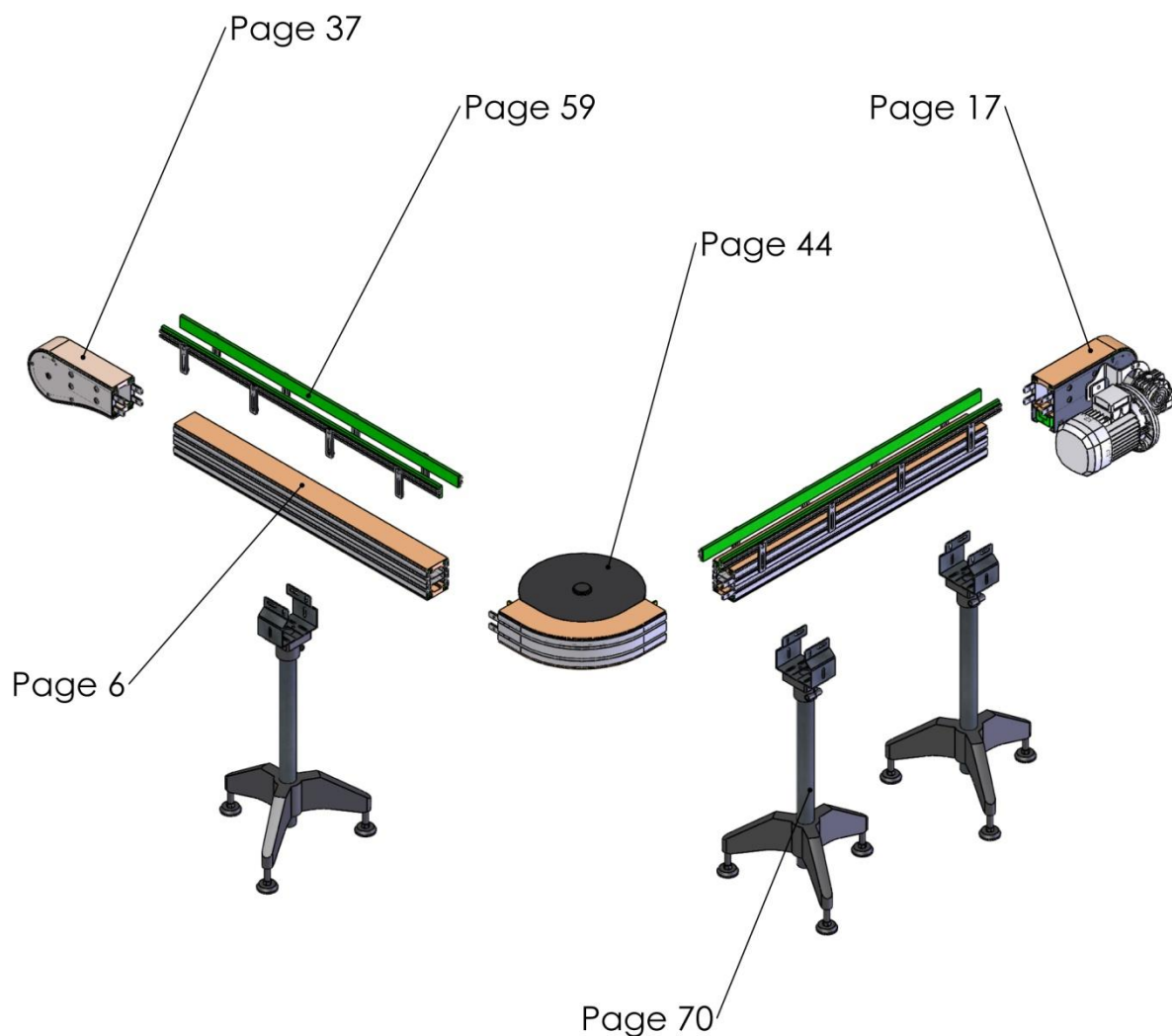
For some components, like the curves, the total materials needed are indicated as sums of the individual upper and lower tracks of the curves. Standard curves are made with a straight track of 90 mm on the two ends of the curve itself. The indicated lengths also include this length of track. Therefore, if the track calculation is done by measuring the average distances between curves, you must subtract 90 mm. With tracks that do not have a return track, the track should be added only once. For the straight channel tracks, it is necessary to sum up the lengths of the various elements, doubling the quantity or not, depending on whether or not the return track is needed.

Description	Track length (mm)	Track layout
End drives F5MPD/S - F5MRD/S	765	
Central motor drive F5MCPD/S - F5MCRD/S	1175	
Intermediate motor drive on return chain F5MIPD/S - F5MIRD/S	upper track = 440 lower track = 1155	
Motor drive in curves F5MC90/180 - F5MCR90/180	90° track = 495 180° track = 810	
180° Long Return F5RL	725	
180° Short Return F5RC	370	
90° Return F5R90	615	
Flat curves Rm=200 mm F5CF ... - F5CS ...	30° track = 285+285 45° track = 340+340 60° track = 390+390 90° track = 495+495 180° track = 810+810	
Vertical curves Rm=400 mm F5CV ...	30° track = 390+390 40° track = 460+460 60° track = 600+600 90° track = 810+810	

## Structure of standard BAT Conveyor

A single BAT conveyor is made up of number of modular blocks that allows to create any type of layout. This catalogue contains the descriptions of all standard modules:

- Straight channels (from page 6)
- Motor drives (from page 17)
- Return ends (from page 37)
- Curves (from page 44)
- Lateral guides (from page 59)
- Ground supports (from page 70)

**NOTE:**

The drawings in this catalogues can be subject to graphical simplifications and therefore may not represent the actual final look of the product. If real drawings of components are necessary to assess space requirements, please contact our Technical Office for more information.



## Fundamental characteristics of the chain guide channel

There are two types of chain guide channels. The first is more frequently used: a chain guide channel used for conveyors with double chain paths (forward and return).

The second is a chain guide channel used for building conveyor systems in which there is no chain return, such as in accumulation systems or spiral elevators. In these cases, it is possible to use a specific chain guide channel called SLIM (simple) with reduced height, exactly half of the standard profile. Along with the profile, all of the necessary elements were built, in particular for making the curves.

The standard chain guide channel is made with an extruded profile of natural coloured anodized aluminum (12-15 Microns thick).

The chain slideways are made in polyethylene with high molecular weight.

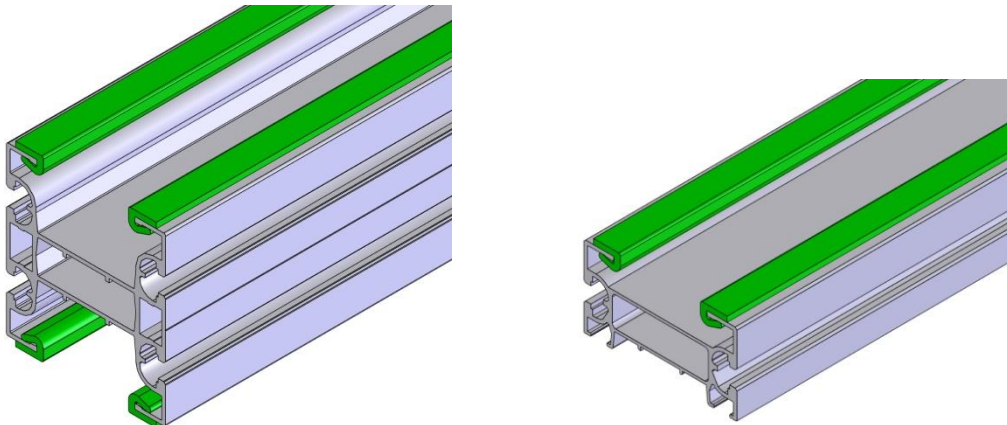
Guides are mounted by snapping, using the particular shape of the extruded aluminum profile. Then the slideway profile must be fastened with countersunk M4 screws.

Channels can be connected together with 4 plates (2 for the SLIM version) with blocking screws inserted in the external cavities of the profile.

The side hollows of the profile were designed to allow mounting of a large number of supports for the product guides and accessories like photocells, channels for collecting debris, and other elements.

The particular geometry of the slot (patented) also allows the use of standard nuts and bolts found on the market.

The grooves can be closed for aesthetic or hygienic reasons with a plastic profile that can be snapped in place.



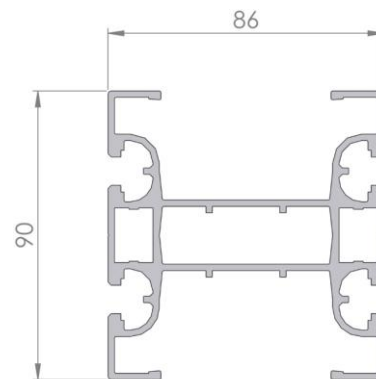


### **F5 chain guide channel**

for double tracks (forward and return)

Material : Anodized aluminum  
Length : 6 m

**Order Code: F5 R 5039**

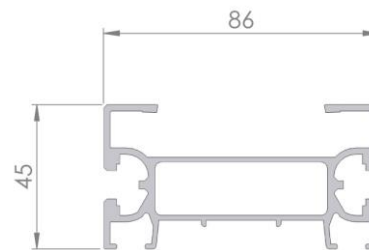


### **F5 Chain guide channel Slim**

for simple tracks (only forward or only return paths)

Material : Anodized aluminum  
Length : 6 m

**Order Code: F5 R 5909**



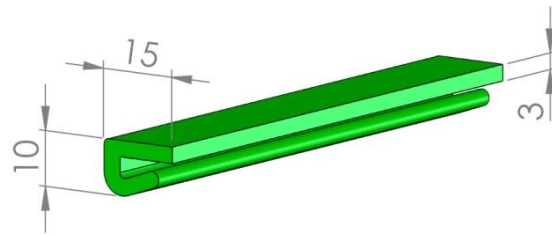
#### **NOTE:**

Channels are sold in bars of 6 meters. Custom cut pieces of channels can be ordered on request. In this case, the price will be calculated by estimating the length to the next half meter and applying a surcharge for each cut made (please consult the price list for details).



### Aluminum chain channel slideway

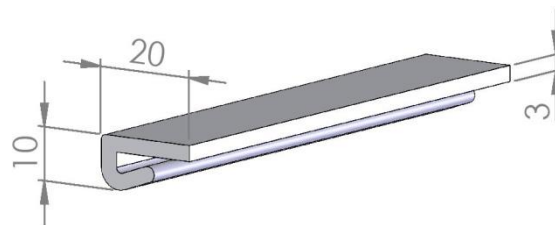
Material : Polyethylene  
Colour : Green  
Packaging : 50 m



**Order Code: GS1**

### High performance chain slideway

Material : Nolu S  
Colour : Grey  
Packaging : 60 m



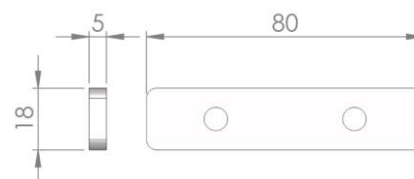
**Order Code: GS1 NS**

#### NOTE:

Slideways are normally sold in 50/60 meter rolls. Smaller quantities can be ordered on request. The price will be rounded to the next meter.

### Channel joining plate

Material : Galvanized steel  
                  Stainless steel  
Packaging : 50 pieces with bolts



**Order Code: PG1**  
**Stainless Steel Version: PGX1**





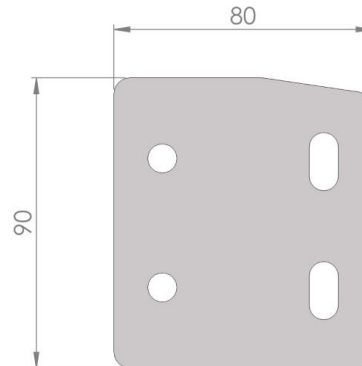
### **F5 Joining plate**

to change the slope on the double channel

Material : Galvanized steel  
Packaging : 2 pieces with screws

These joining plates are used to join channels with a maximum slant of 11°.

**Order Code: PG4**



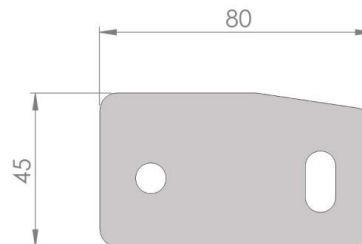
### **F5 Slim Joining plate**

to change the slope on the simple channel

Material : Galvanized steel  
Packaging : 2 pieces with screws

These joining plates are used to join channels with a maximum slant of 11°, in particular in the various transport and/or vertical accumulation system.

**Order Code: PG3**

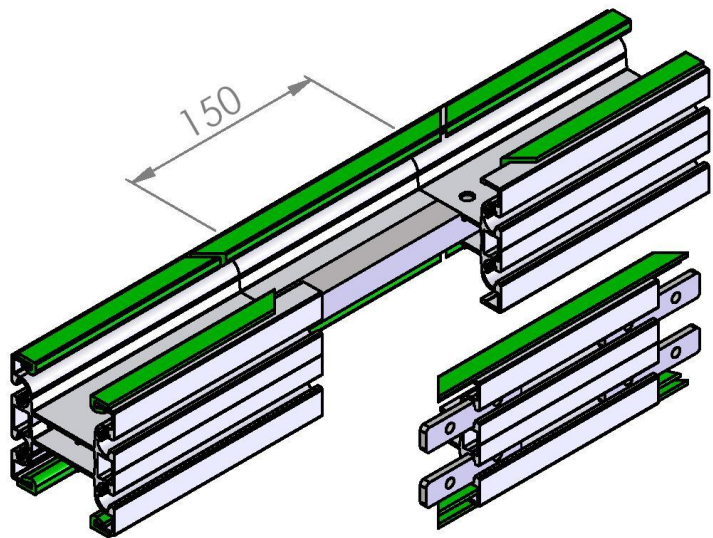


## Inspection zone

To facilitate the disassembly of the chain, it's possible to predispose a piece of channel divided in 2: in this way it allows an easy access to the chain junction.

This group is called inspection zone and normally is positioned near to the return end, where the chain stress is minimum.

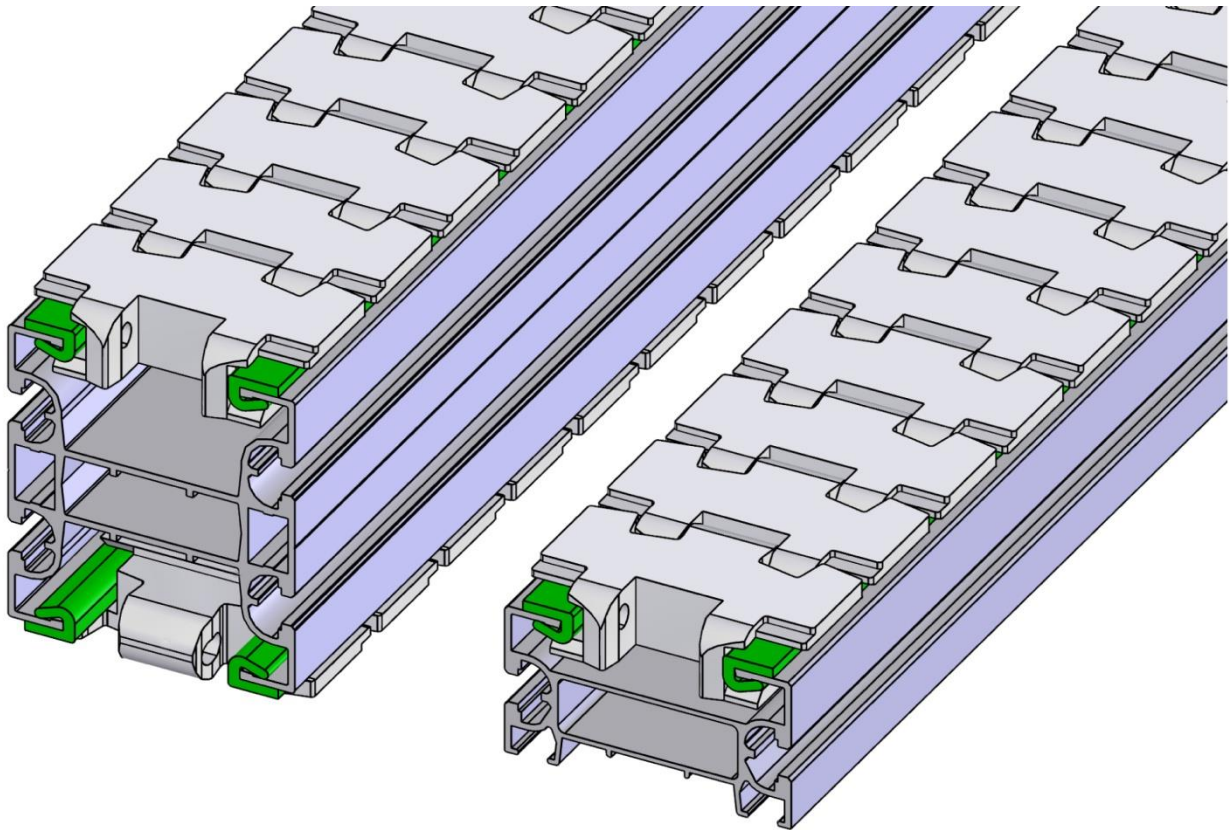
Is enough to loosen the bolts and scroll the joining plates (only on one side of the inspection zone) to release one piece of lateral side and to access to the chain.



Channel section for disassembly, inspection and clearing of the chain and of the conveyor. Including joining plates and bolts.

**Order Code: F5 SI**

## Chains



### Typical Applications



PLASTIC AND  
GLASS BOTTLES



DOYPACK TYPE SACKS



PACKAGED CHEESES



PHARMACEUTICAL FLACONS



TINS, CANS, AND JARS



MECHANICAL ELEMENTS  
AND ELECTRICAL PARTS



BAGS FOR BISCUITS  
AND BAKED PRODUCTS



PRODUCTS IN PLASTIC  
BLISTER PACKS



PACKAGES FOR RICE, COFFEE  
AND VACUUM-PACKED PRODUCTS



PRODUCTS ON PALLETS



## Standard chain

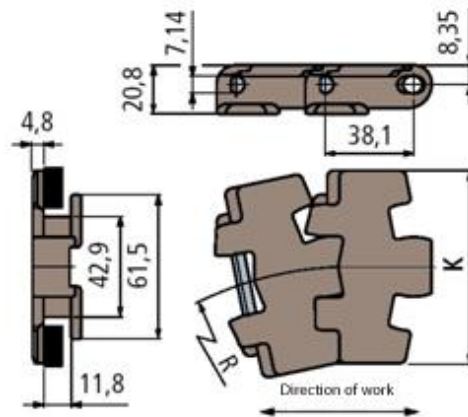
The BAT F5 chain is made in acetalic resin and teflon to improve its mechanical characteristics and guarantee a maximum lifetime under heavy conditions (heavy products, long transport paths, high speeds).

The low friction coefficient guarantees lower chain tension on the drive shaft and greatly reduces the pulses of the conveyor at low speeds.

The chain is designed to work in both directions indifferently. It is suitable for transporting foods and FDA approved.

The standard chain can be built also in AS conductive resin (anti-static), polypropylene (resistant to chemicals), or WRB resin (wear resistant).

In case of order for these materials, please contact our Sales Department to know the delivery times and minimum quantities.



## Design

Colour : White, Brown

## Specifications

Weight : 1.08 Kg/m

Minimum curve radius : 200 mm

## Materials

Chain : Acetalic resin and Teflon

Pin : Stainless steel

## Supply length

3.05 meters per package

## Optional materials

AS Conductive Resin (Anti-static)

Polypropylene PP (Resistant to chemicals)

WRB Resin (Wear resistant)

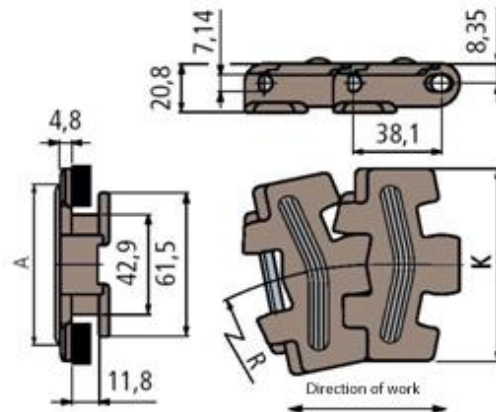
**Order Code: BAT LF K 325**  
**For White version: BAT WLF K 325**



## Chain in resin with no-slip inserts

The BAT HFP F5 chain made in acetalic resin and teflon has the same basic characteristics as the LF. A non-slip rubber insert is injection moulded into the chain that allows transport with slants up to 25°. The rubber in the non-slip inserts has a standard hardness of 60 Shore A. On request, hardnesses of 45 / 90 Shore A are available.

The chain is designed to work in both directions indifferently.



### Design

Colour	: Brown
Insert colour	: Light grey

### Specifications

Weight	: 0.96 Kg/m
Minimum curve radius	: 200 mm

### Materials

Chain	: Acetalic resin and Teflon
Non-slip insert	: Rubber
Pin	: Stainless steel

### Supply length

3.05 meters per package

### Insert hardness options

45 Shore A
90 Shore A

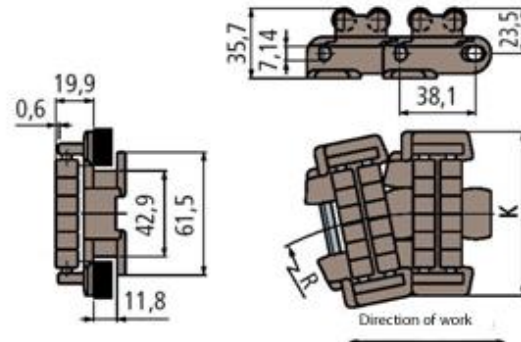
**Order Code: BAT HFP K 325**



## Chain in resin with rollers

The BAT LBP F5 chain made in acetalic resin and teflon has the same basic characteristics as the LF. It is particularly suitable for transport and accumulation of delicate products and in long stretches where the standard chain would cause an accumulation pressure that could become high. The rollers on the upper part of the chain reduce the friction between the chain and product to reduce the danger of damage to the packaging. **With this type of chain, friction and pressure during accumulation are reduced possibly by 20%**, therefore it is possible to create longer paths with a single motor drive. Wear and lengthening of the chain are also considerably reduced.

The chain is designed to work in both directions indifferently.



### Design

Colour : Brown  
Colour of rollers : Brown

### Specifications

Weight : 2.05 Kg/m  
Minimum curve radius : 200 mm

### Materials

Chain : Acetalic resin and Teflon  
Rollers : Acetalic resin and Teflon  
Pin : Stainless steel

### Supply length

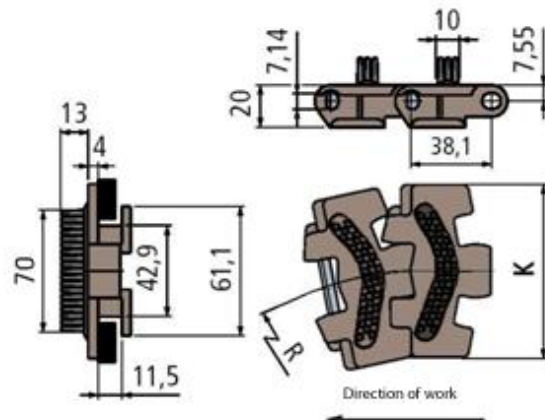
3.05 meters per package

**Order Code: BAT LBP K 325**



## Chain in resin with flexible flights

The BAT GB F5 chain made in acetalic resin and teflon has the same basic characteristics as the LF. An elastic rubber flight is injection moulded into the chain that allows vertical transport on elevators-lowerators. The rubber of the flights has a standard hardness of 90 Shore A. On request, a hardness of 60 Shore A is available.



### Design

Colour : Brown  
Flight colour : Dark grey

### Specifications

Weight : 0.83 Kg/m  
Minimum curve radius : 200 mm

### Materials

Chain : Acetalic resin and Teflon  
Flights : Elastic rubber  
Pin : Stainless steel

### Supply length

3.05 meters per package

### Flight hardness options

60 Shore A

**Order Code: BAT GB K 325**

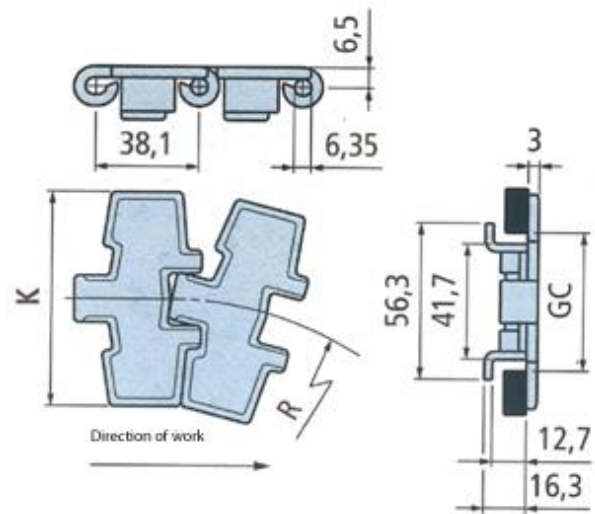


## Chain in stainless steel

The BAT SS F5 chain is made in stainless steel. Its use is advised for particular environmental conditions, which include the presence of metal or glass debris that could cause a resin chain to wear out very quickly, or aggressive chemicals not tolerated by the chain material, or working temperatures over 90°C.

**Unlike resin chains, steel chains usually require minimal lubrication.**

The chain is designed to work in only one direction.



## Specifications

Weight	: 3.05 Kg/m
Minimum curve radius	: 200 mm
Temperature range	: from -70° C to +430° C

## Materials

Chain	: Stainless steel
Pin	: Stainless steel

## Supply length

3.05 meters per package

**Order Code: BAT SS K 325**

## NOTE:

The BAT SS F5 chain cannot be used with the end motor drive on a curve.

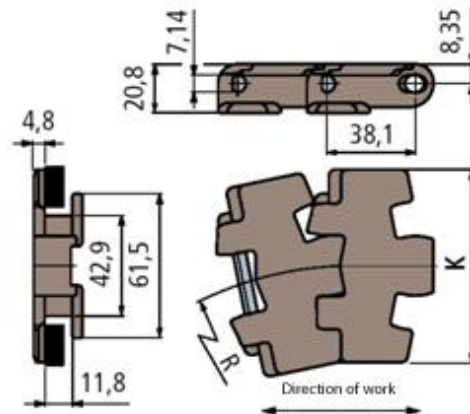




## Chain in High Performance resin

The BAT HP F5 chain made in resin has the same basic characteristics as the LF. HP resin gives the links the lowest friction coefficient of all chains in thermoplastic resin. This feature ensures a longer operative lifetime, less chain lengthening due to wear, less pressure between products on the conveyor and less power needed for return traction.

The chain is designed to work in both directions indifferently.



### Design

Colour : Brown, White

### Specifications

Weight : 1.08 Kg/m  
Minimum curve radius : 200 mm

### Materials

Chain : Resin  
Pin : Stainless steel

### Supply length

3.05 meters per package

**Order Code: BAT HP K 325**

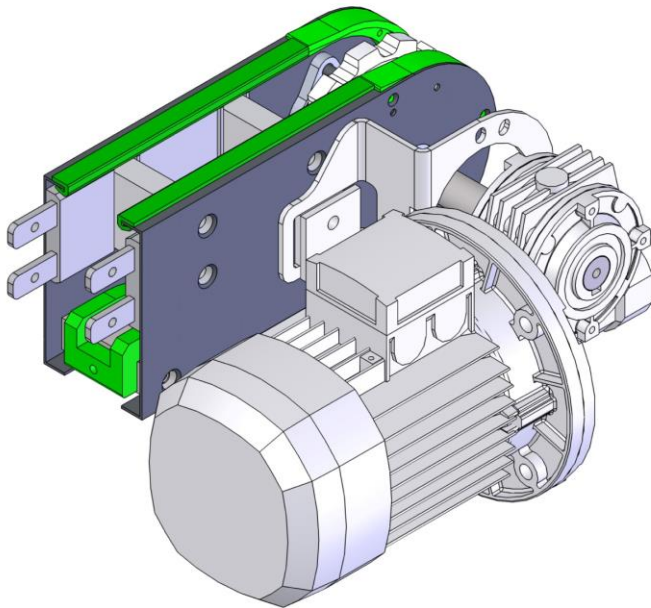


## End motor drive

The end motor drive is the most used to make conveyors of any shape with forward and backward paths. The most natural configuration for a conveyor belt is with the motor drive "pulling" the chain.

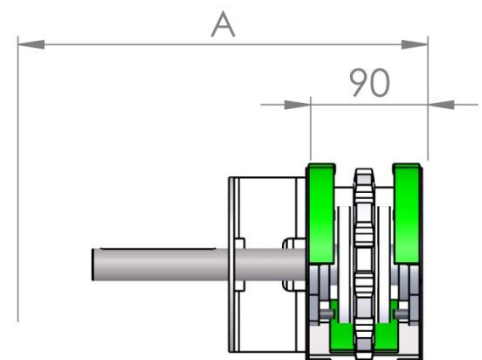
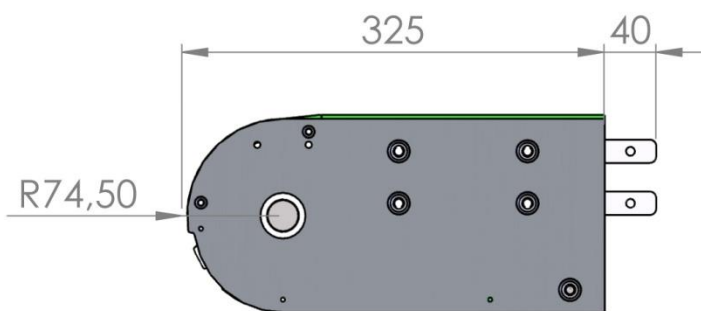
### Suspended end motor drive

The unit is mounted on the side of the motor and is directly connected to the chain drive sprocket.

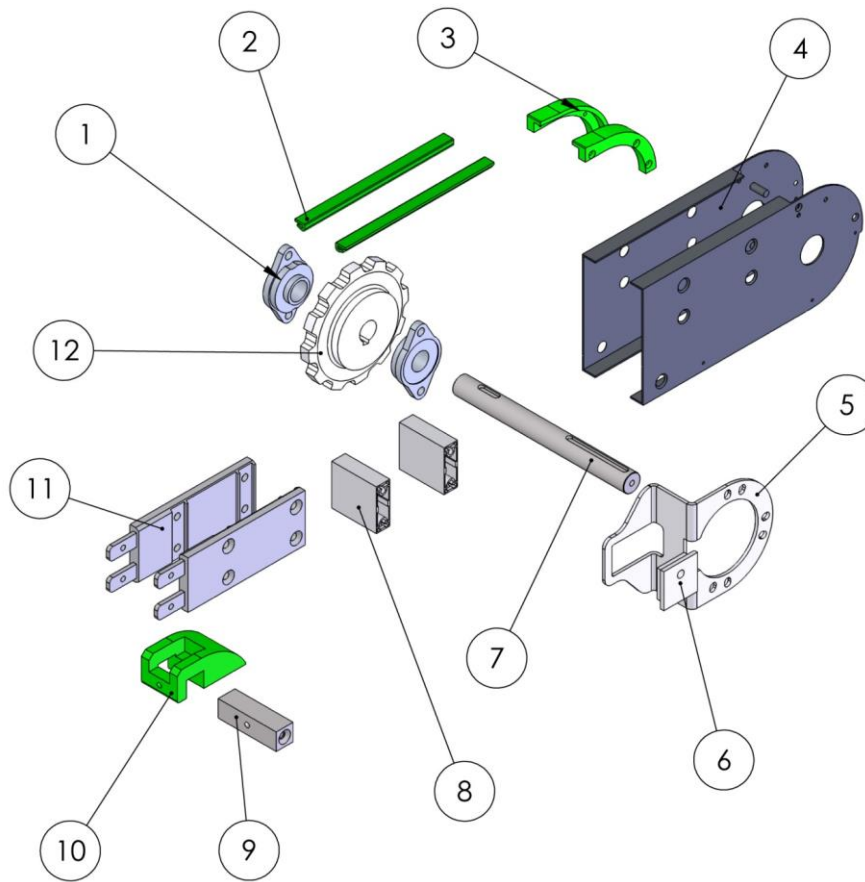


#### Technical specifications:

Standard motor	: Triphase 220/380 V
N° teeth drive sprocket with chain in resin	: Z 12 Dp. 147 mm
N° teeth drive sprocket with chain in steel	: Z 25 Dp. 153 mm
Standard speed at 50 Hz (m/min)	: 6.5, 14, 23, 35.5, 64



A = Volume depending to the motor gear type



Article Number	Description	Article Code
1	SUPPORT IN ALLOY DIAMETER 25	UFL005
2	CHAIN SLIDEWAY	GS1
3	RIGHT/LEFT UNDERCHAIN SLIDE	F5TM35D F5TM35S
4	RIGHT/LEFT END MOTOR DRIVE PLATE	F5TM26 F5TM27
5	REACTION LEVER	*
6	REACTION ARM PIN	F5TM06
7	DRIVE SHAFT	*
8	INTERNAL SPACER	F5TM30
9	RETURN END SLIDE SUPPORT SPACER	F5TM03
10	POLYETHYLENE SLIDE	14343
11	END MOTOR DRIVE PLATE IN CAST ALUMINIUM	F5PG14
12	DRIVE WHEEL	**

\* Depends on the motor type

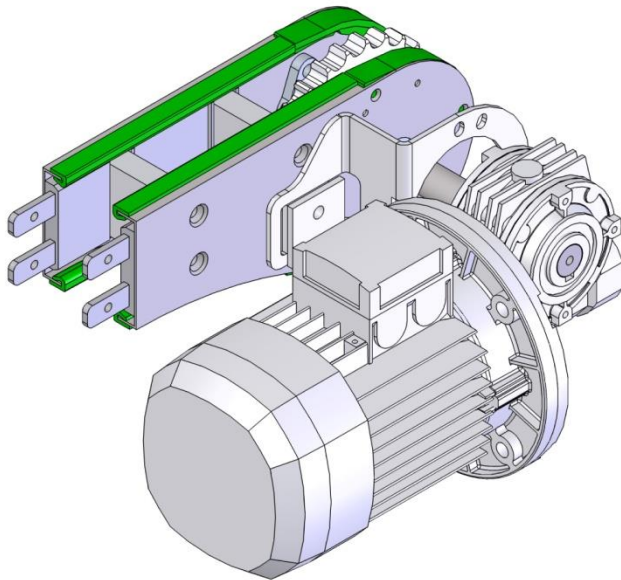
\*\* Depends on the chain type

The parts indicated are not sold separately unless they are present in this catalogue in the designated section.



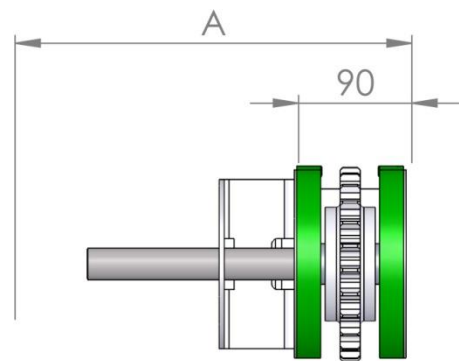
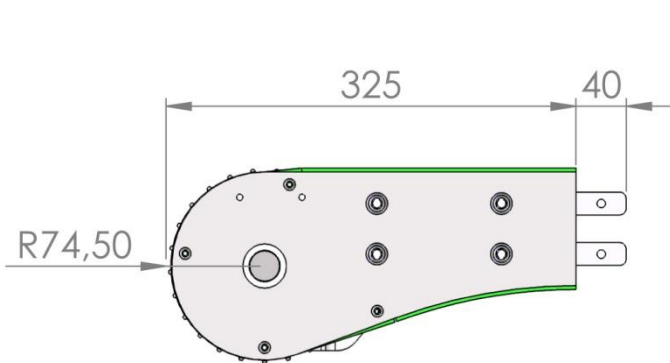
## Suspended end motor drive with guided chain

The unit is mounted on the side of the motor and is directly connected to the chain drive sprocket. This type of head can be used for applications with transporters of limited lengths or that run at high speeds. If combined with a tensioned return head (contact the technical office for this special execution) it can "push" the conveyor.

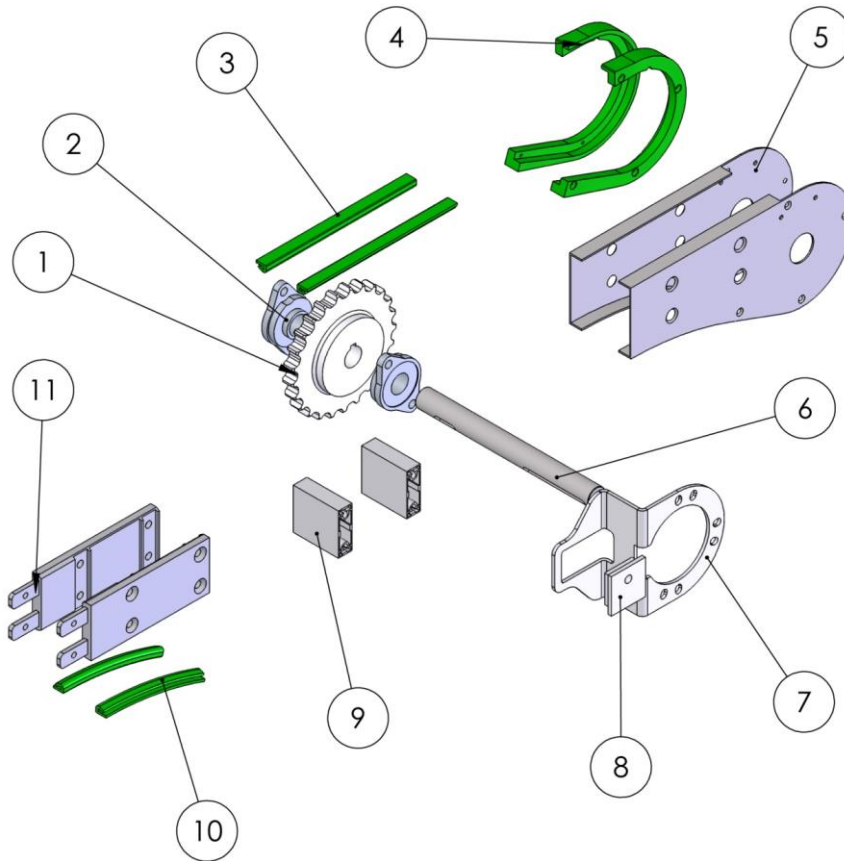


### Technical specifications:

Standard motor	: Triphase 220/380 V
N° teeth drive sprocket with chain in resin	: Z 12 Dp. 147 mm
N° teeth drive sprocket with chain in steel	: Z 25 Dp. 153 mm
Standard speed at 50 Hz (m/min)	: 6.5, 14, 23, 35.5, 64



A = Volume depending to the motor gear type



Article Number	Description	Article Code
1	DRIVE WHEEL	**
2	SUPPORTO IN ALLOY DIAMETER 25	UFL005
3	CHAIN SLIDEWAY	GS1
4	RIGHT/LEFT UNDERCHAIN SLIDE	F5TR13D F5TR13S
5	RIGHT/LEFT PLATE FOR 180° RETURN MOTOR DRIVE PLATE WITH HOLE DIAM 35 mm.	F5TRMD F5TRMS
6	DRIVE SHAFT	*
7	REACTION LEVER	*
8	REACTION ARM PIN	F5TM06
9	INTERNAL SPACER	F5TM30
10	CHAIN SLIDEWAY	GS1
11	CAST ALUMINIUM END MOTOR DRIVE PLATE	F5PG14

\* Depends on the motor type

\*\* Depends on the chain type

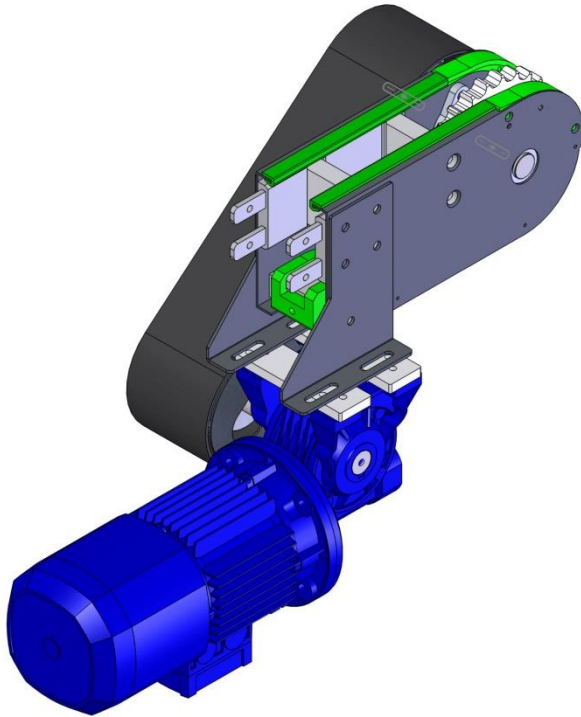
The parts indicated are not sold separately unless they are present in this catalogue in the designated section.



## Transferred end motor drive

The transferred drive kit allows to move the position of the gear motor with respect to the axis of the drive sprocket. These are commonly used when it is necessary to reduce the space occupied by the end motor drive unit.

Transmission chain tension is regulated by using the available space in the slots on the support plate of the motor unit. The transmission has a suitable safety protection which must always be in its place when the conveyor is moving.



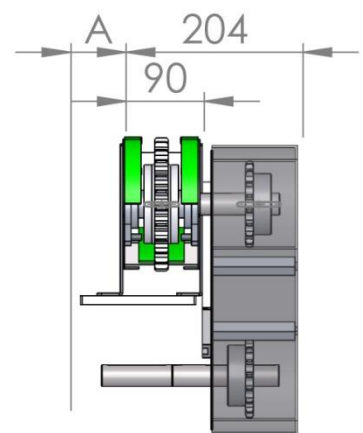
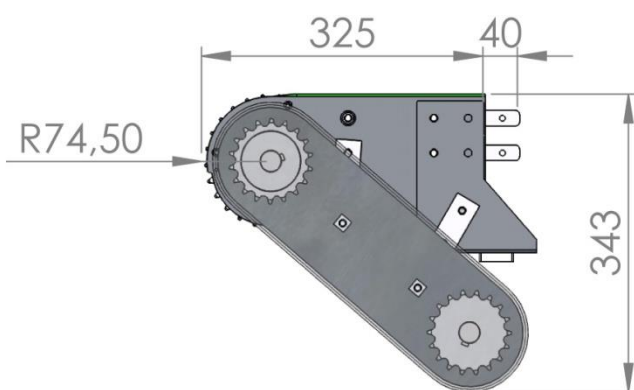
### Technical specifications:

Standard motor : Triphase 220/380 V

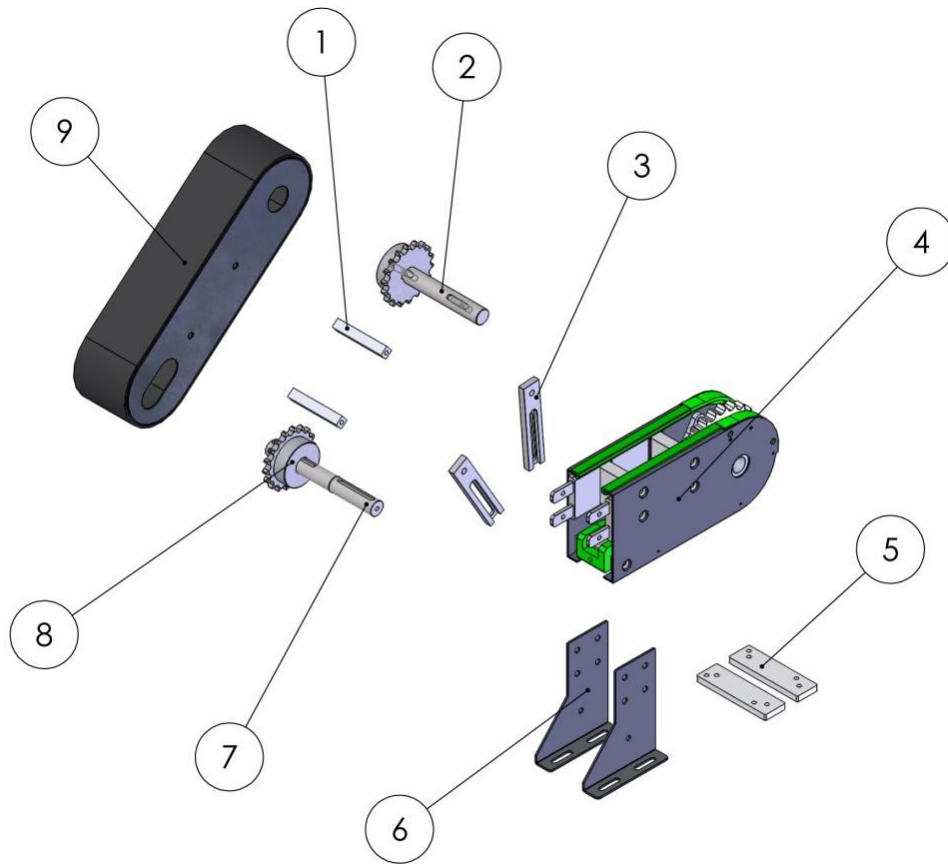
N° teeth drive sprocket with chain in resin : Z 12 Dp. 147 mm

N° teeth drive sprocket with chain in steel : Z 25 Dp. 153 mm

Standard speed at 50 Hz (m/min) : 6.5, 14, 23, 35.5, 64



Volume depending to the motor gear type = A+204 mm



Article Number	Description	Article Code
1	SAFETY PROTECTION SPACER	F5TM13
2	MOTORISED SHAFT IN AISI 304	F5TM08
3	SAFETY PROTECTION BRACKET	F5TM12
4	CLASSIC END MOTOR DRIVE	F5M
5	JOINING PLATE	*
6	REDUCTION GEAR BRACKET	F5TM09
7	DRIVE SHAFT	*
8	SIMPLE SPROCKET	*
9	SAFETY PROTECTION	F5TM24

\* Depends on the motor type

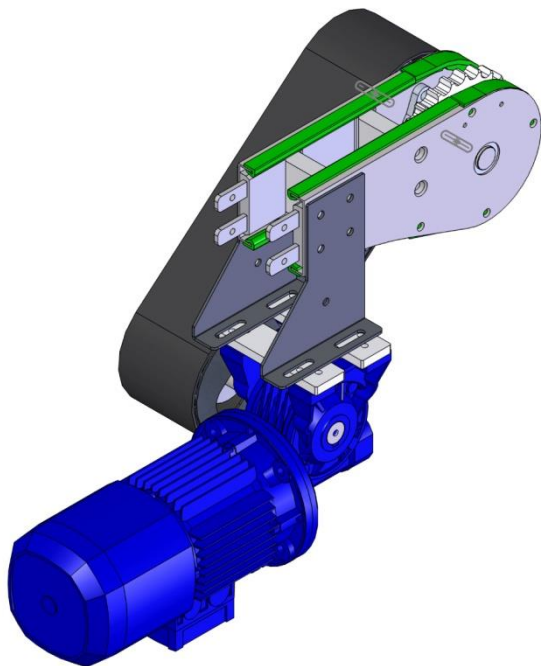
The parts indicated are not sold separately unless they are present in this catalogue in the designated section.



## Transferred end drive with guided chain

The transferred drive kit allows to move the position of the gear motor with respect to the axis of the drive sprocket. These are commonly used when it is necessary to reduce the space occupied by the end motor drive unit.

Transmission chain tension is regulated by using the available space in the slots on the support plate of the motor unit. The transmission has a suitable safety protection which must always be in its place when the conveyor is moving.



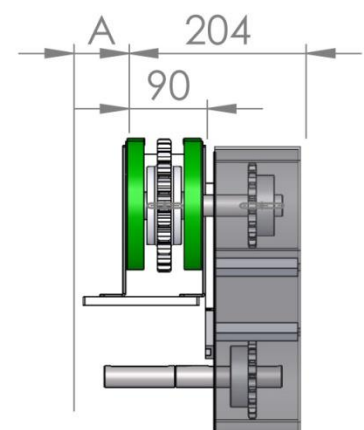
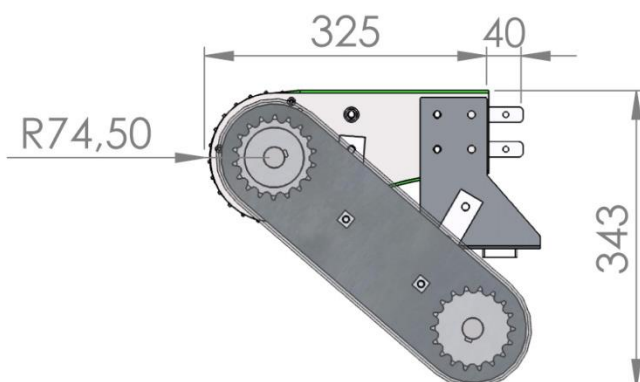
### Technical specifications:

Standard motor : Triphase 220/380 V

N° teeth drive sprocket with chain in resin : Z 12 Dp. 147 mm

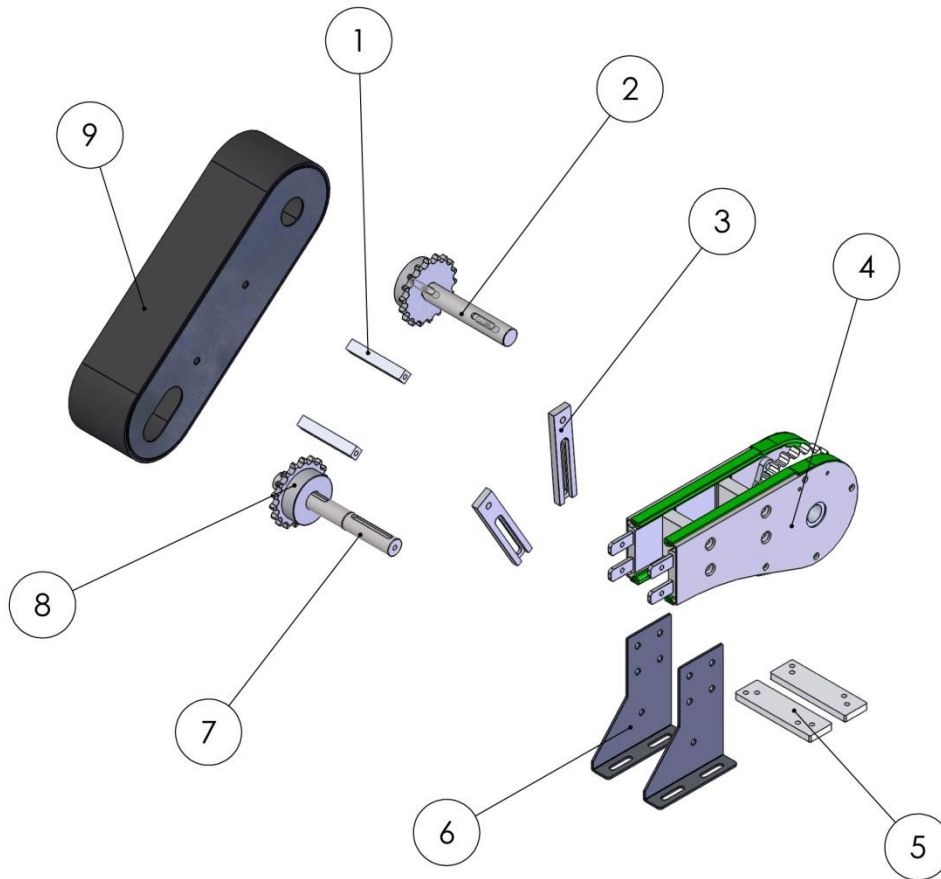
N° teeth drive sprocket with chain in steel : Z 25 Dp. 153 mm

Standard speed at 50 Hz (m/min) : 6.5, 14, 23, 35.5, 64



Volume depending to the motor gear type = A+204 mm





Article Number	Description	Article Code
1	SAFETY PROTECTION SPACER	F5TM13
2	MOTORISED SHAFT IN AISI 304	F5TM08
3	SAFETY PROTECTION BRACKET	F5TM12
4	END MOTOR DRIVE WITH GUIDED CHAIN	F5MCG
5	JOINING PLATE	*
6	REDUCTION GEAR BRACKET	F5TM09
7	DRIVE SHAFT	*
8	SIMPLE SPROCKET	*
9	SAFETY PROTECTION	F5TM24

\* Depends on the motor type

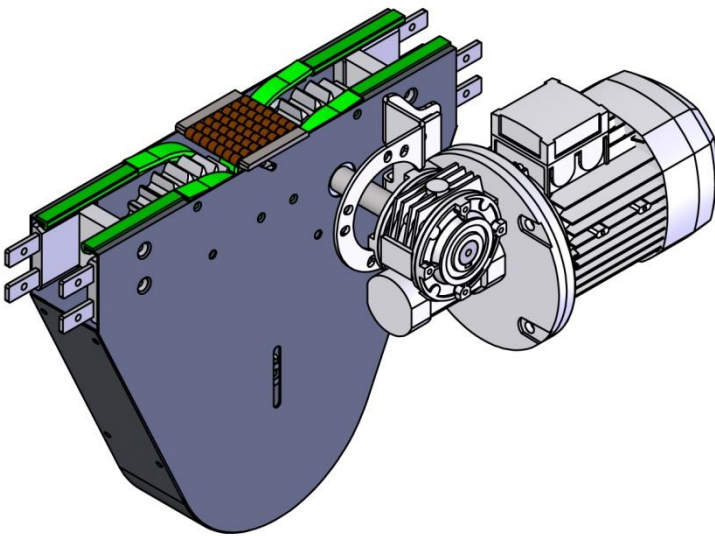
The parts indicated are not sold separately unless they are present in this catalogue in the designated section.

## Central motor drive

The central motor drive can be installed at any point along the conveyor. It is normally used when the conveyor has a closed ring configuration. The best working conditions are obtained by positioning the drive as closely as possible to the point in where the greatest load is situated. Central drive considers also a roller passage to facilitate the transport continuity.

## Suspended motor drive

The unit is mounted on the side of the motor and is directly connected to the chain drive sprocket.



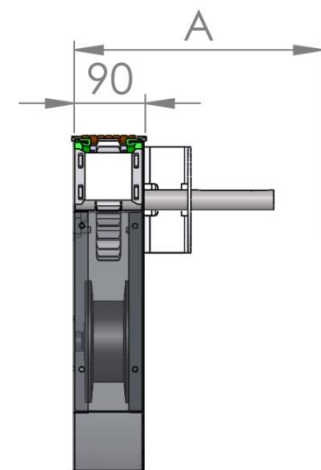
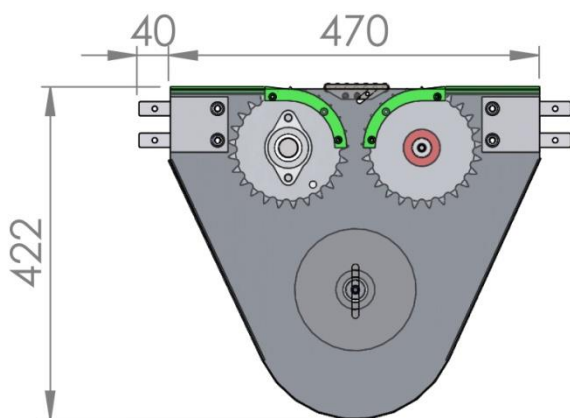
### Technical specifications:

Standard motor : Triphase 220/380 V

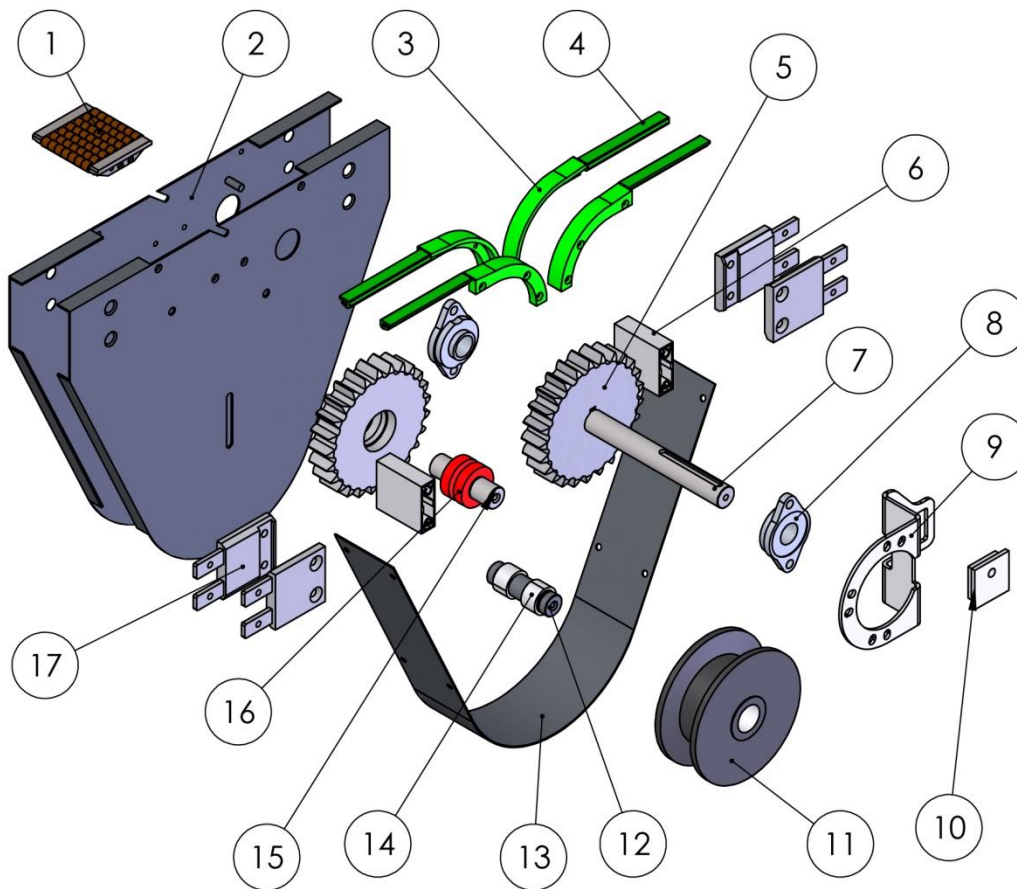
N° teeth drive sprocket with chain in resin : Z 12 Dp. 147 mm

N° teeth drive sprocket with chain in steel : Z 25 Dp. 153 mm

Standard speed at 50 Hz (m/min) : 6.5, 14, 23, 35.5, 64



A = Volume depending to the motor gear type



Article Number	Description	Article Code
1	ROLLER PASSAGE	F5PARUL
2	LEFT/RIGHT PLATE FOR CENTRAL MOTOR DRIVE	F5MC01D F5MC01S
3	LEFT/RIGHT UNDERCHAIN SLIDE	F5TM35D F5TM35S
4	CHAIN SLIDEWAY	GS1
5	DRIVE WHEEL	**
6	INTERNAL SPACER	F5TM30
7	DRIVE SHAFT	*
8	SUPPORT IN ALLOY DIAMETER 25	UFL005
9	REACTION LEVER	*
10	REACTION ARM PIN	F5TM06
11	RETURN WHEEL IN BLACK GLISTAMIDE	NSXT820
12	180° RETURN END SHAFT IN STAINLESS STEEL AISI 304	F5TR3
13	UPPER SAFETY PROTECTION	F5CP08
14	IGUS BUSH	MSM-2532-20
15	180° RETURN END SHAFT IN STAINLESS STEEL AISI 304	F5TR3
16	BEARINGS	6004-2RS
17	CAST ALUMINIUM MOTOR DRIVE PLATE	F5PG13

\* Depends on the motor type

\*\* Depends on the chain type

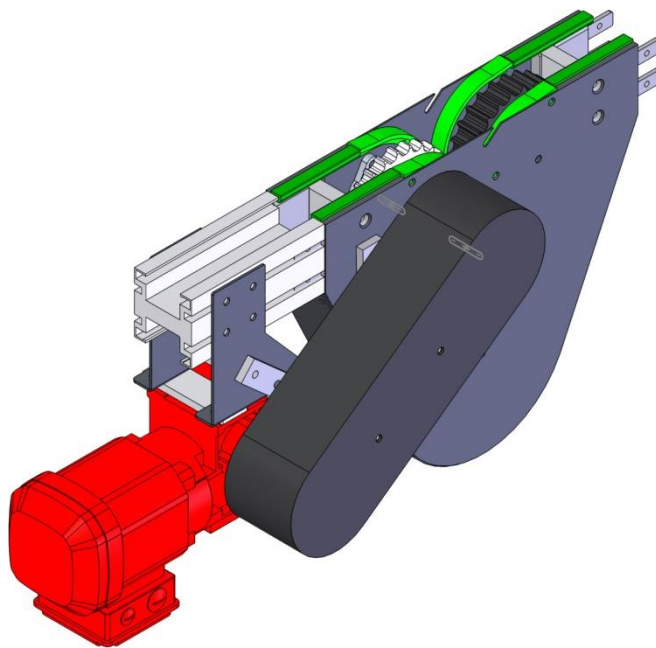
The parts indicated are not sold separately unless they are present in this catalogue in the designated section.



### Transferred motor drive

The transferred drive kit allows to move the position of the gear motor with respect to the axis of the drive sprocket. These are commonly used when it is necessary to reduce the space occupied by the end motor drive unit.

Transmission chain tension is regulated by using the available space in the slots on the support plate of the motor unit. The transmission has a suitable safety protection which must always be in its place when the conveyor is moving.



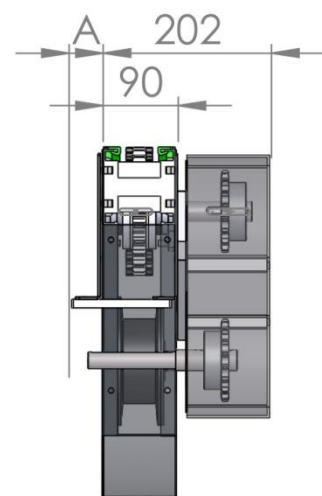
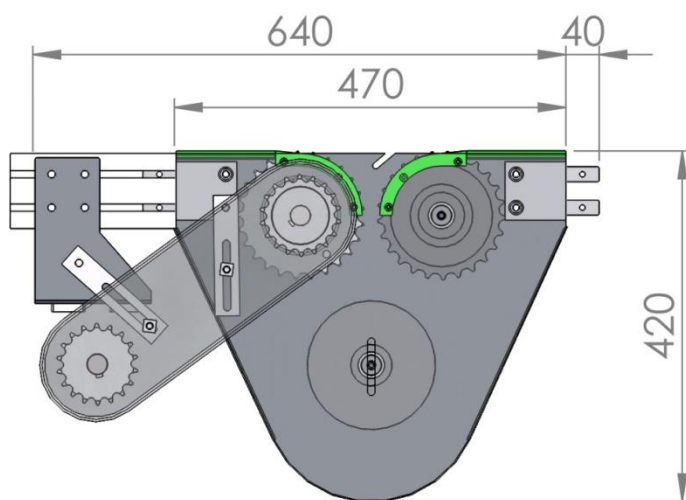
#### Technical specifications:

Standard motor : Triphase 220/380 V

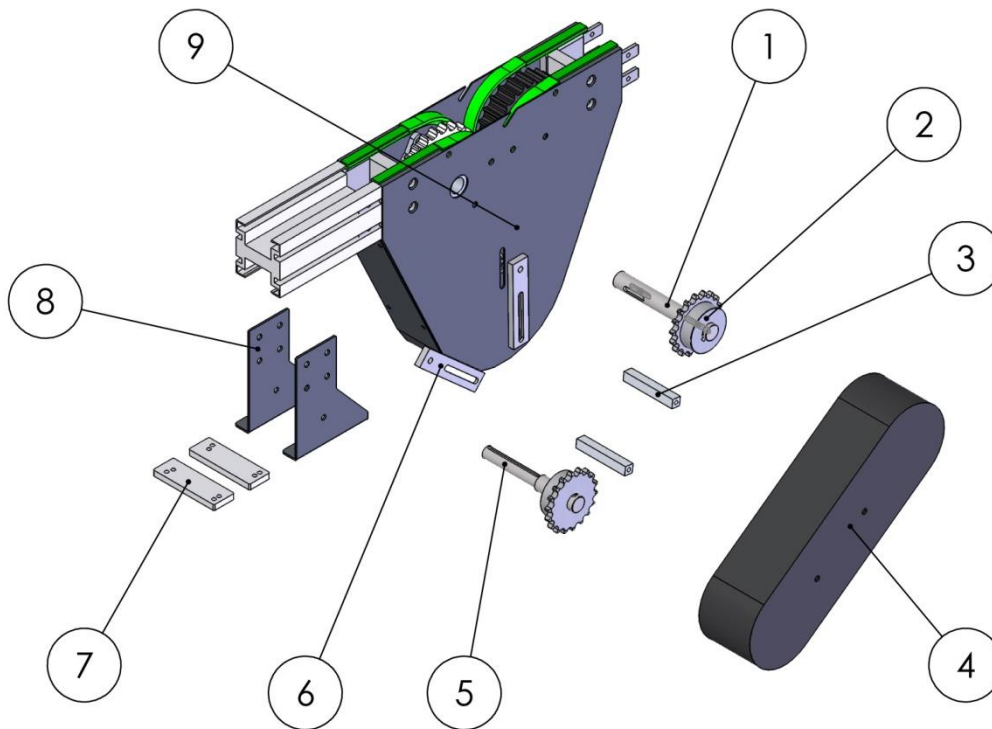
N° teeth drive sprocket with chain in resin : Z 12 Dp. 147 mm

N° teeth drive sprocket with chain in steel : Z 25 Dp. 153 mm

Standard speed at 50 Hz (m/min) : 6.5, 14, 23, 35.5, 64



Volume depending to the motor gear type = A+202 mm



Article Number	Description	Article Code
1	MOTORISED SHAFT IN AISI 304	F5TM08
2	SIMPLE SPROCKET	*
3	SAFTY PROTECTION SPACER	F5TM13
4	SAFETY PROTECTION	F5TM24
5	DRIVE SHAFT	*
6	SAFETY PROTECTION	F5TM12
7	JOINING PLATE	*
8	REDUCTION GEAR BRACKET	F5TM09
9	CENTRAL MOTOR DRIVE	F5MC

\* Depends on the motor type

The parts indicated are not sold separately unless they are present in this catalogue in the designated section.

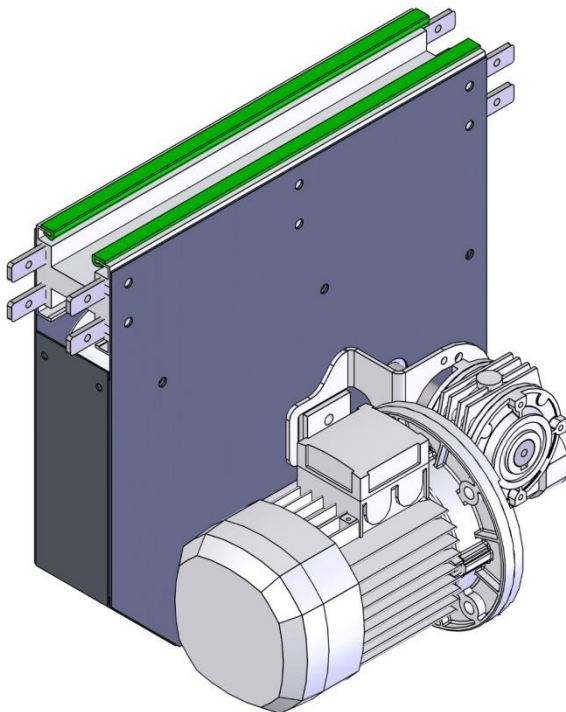


## Intermediate motor drive on chain return

The intermediate motor drive on the chain return can be installed at any point along the conveyor. It is used when at the ends of the conveyor there is insufficient space to place the drive unit. The best work conditions are obtained by positioning the drive unit as closely as possible to the return drive, placed and the end of the conveyor with respect to the direction of the belt. The drive sprocket operates on the return section of the chain. In the case of using one intermediate motor drive on the chain return, the permissible pull on the conveyor is lower than on other types of motor drive: so please contact our Technical Department for a more accurate assessment.

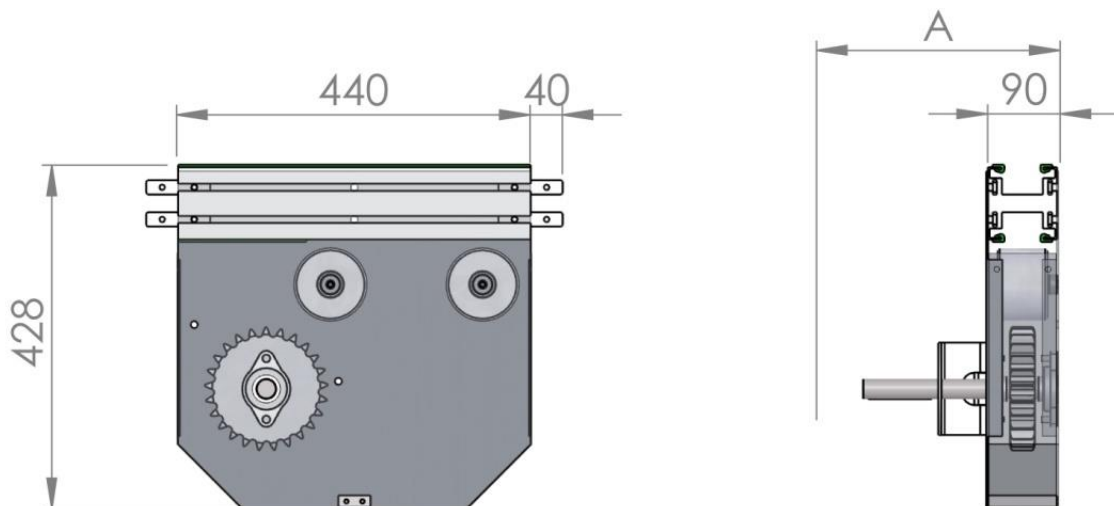
### Suspended motor drive

The unit is mounted on the side of the motor and is directly connected to the chain drive sprocket.

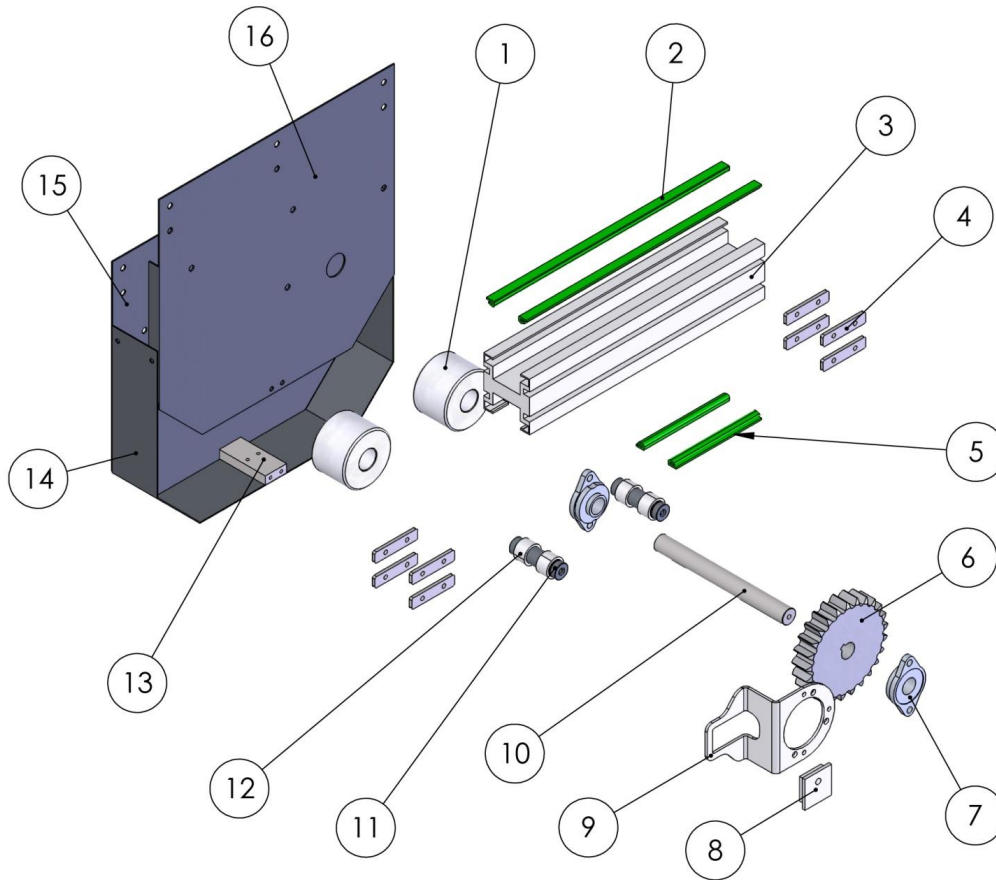


#### Technical specifications:

Standard motor	: Triphase 220/380 V
N° teeth drive sprocket with chain in resin	: Z 12 Dp. 147 mm
N° teeth drive sprocket with chain in steel	: Z 25 Dp. 153 mm
Standard speed at 50 Hz (m/min)	: 6.5, 14, 23, 35.5, 64



A = Volume depending to the motor gear type



Article Number	Description	Article Code
1	IDLE ROLLER	F5TR26N
2	CHAIN SLIDEWAY	GS1
3	CHANNEL	F5R5039
4	CHANNEL JOINING PLATE	PG1
5	CHAIN SLIDEWAY	GS1
6	DRIVE WHEEL	**
7	SUPPORT IN ALLOY DIAMETER 25	UFL005
8	REACTION ARM PIN	F5TM06
9	REACTION LEVER	*
10	DRIVE SHAFT	*
11	180° RETURN END SHAFT IN STAINLESS STEEL AISI 304	F5TR3
12	IGUS BUSHES	MSM-2532-20
13	SAFETY PROTECTION SPACER	F5TC02
14	SAFETY PROTECTION	F5TC03
15	RIGHT PLATE	F5TC05
16	LEFT PLATE	F5TC06

\* Depends on the motor type

\*\* Depends on the chain type

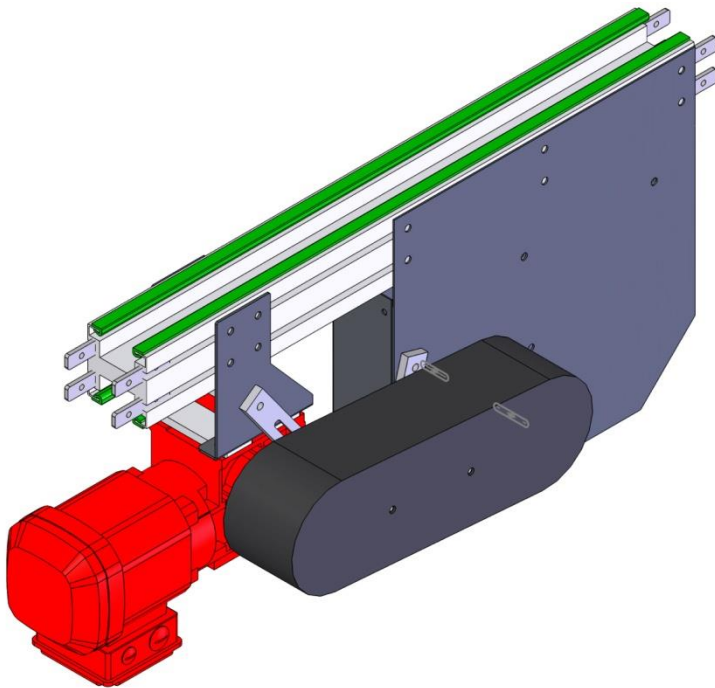
The parts indicated are not sold separately unless they are present in this catalogue in the designated section.



### Transferred motor drive

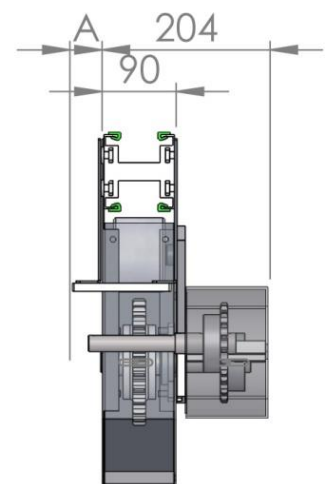
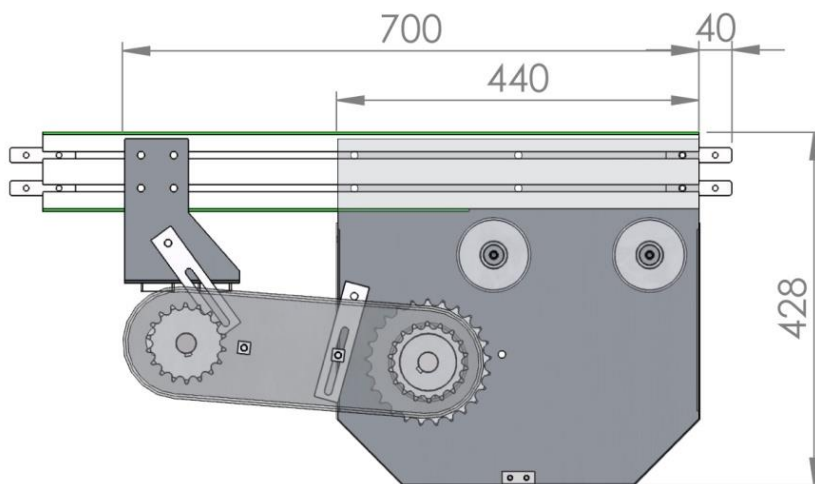
The transferred drive kit allows to move the position of the gear motor with respect to the axis of the drive sprocket. These are commonly used when it is necessary to reduce the space occupied by the drive unit.

Transmission chain tension is regulated by using the available space in the slots on the support plate of the motor unit. The transmission has a suitable safety protection and is always in its place when the conveyor is moving.



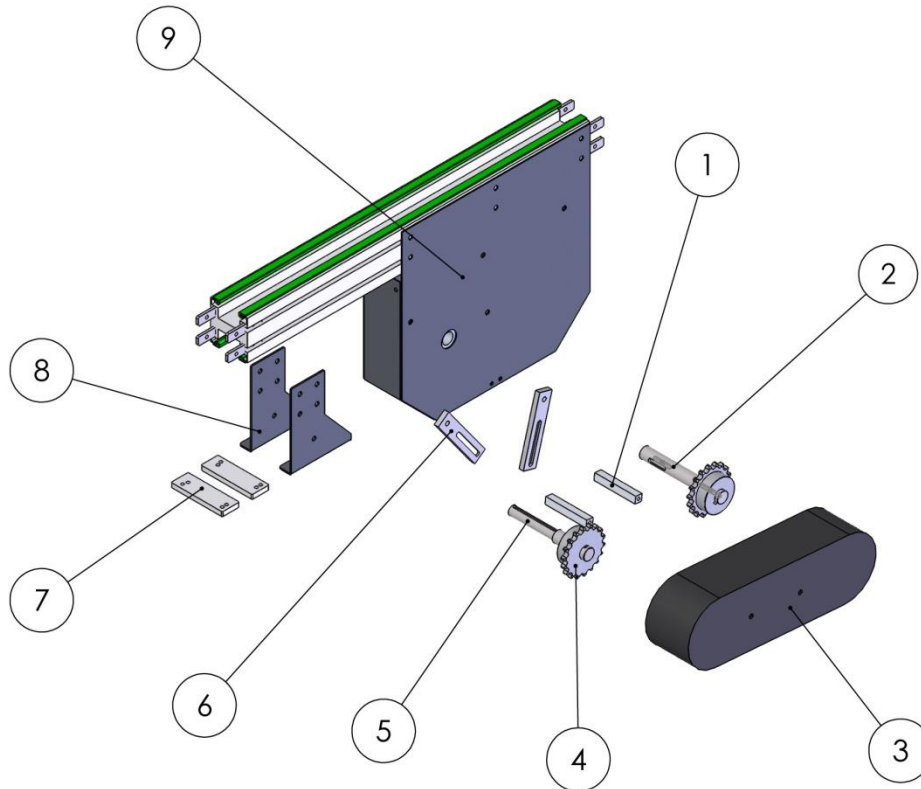
#### Technical specifications:

- Standard motor : Triphase 220/380 V
- N° teeth drive sprocket with chain in resin : Z 12 Dp. 147 mm
- N° teeth drive sprocket with chain in steel : Z 25 Dp. 153 mm
- Standard speed at 50 Hz (m/min) : 6.5, 14, 23, 35.5, 64



Volume depending to the motor gear type = A+204 mm



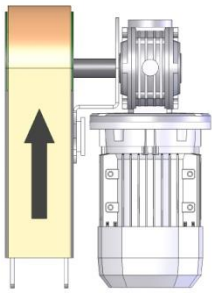
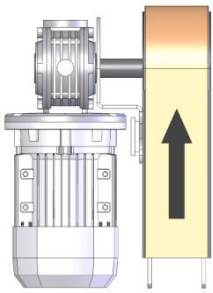


Article Number	Description	Article Code
1	SAFETY PROTECTION SPACER	F5TM13
2	DRIVE SHAFT	*
3	SAFETY PROTECTION	F5TM24
4	SIMPLE SPROCKET	*
5	MOTORISED SHAFT IN AISI 304	F5TM08
6	SAFETY PROTECTION BRACKET	F5TM12
7	JOINING PLATE	*
8	REDUCTION GEAR BRACKET	F5TM09
9	INTERMEDIATE MOTOR DRIVE	F5MI

\* Depends on the motor type

The parts indicated are not sold separately unless they are present in this catalogue in the designated section.

## HOW TO WRITE THE ORDER CODES FOR MOTOR DRIVES

Description	Order Code	
Motor drive type	Suspended end : F5MP Transferred end : F5MR Suspended end with guided chain : F5MPCG Transferred end with guided chain : F5MRCG Central suspended : F5MCP Central transferred : F5MCR Intermediate suspended : F5MIP Intermediate transferred : F5MIP	
Drive side	Right: D 	Left: S 
Motor gear type	Bonfiglioli MVF49 Bonfiglioli W63 SEW WA20 SEW WA30	
Motor gear presence	Yes: Y No: N	
Chain type	Plastic: Stainless steel: SS	

If purchasing the drive unit with your order, please specify the required speed at the time of ordering.

Example:

Right suspended end motor drive with SEW WA30 motor gear included and plastic chain

Cod: F5MP-D-WA30-Y

**NOTE:** For speeds above 20 m/min or in the presence of frequent starts or high loads, it is essential to put the motors under soft starter or inverter

## Motor drive in curve

The end motor drive in curve is used to create ring shaped conveyor systems, or to create ascending or descending spiral systems.

In this case, the chain is driven in correspondence with each curve. It is possible to create accumulation systems with high workloads without limits in length.

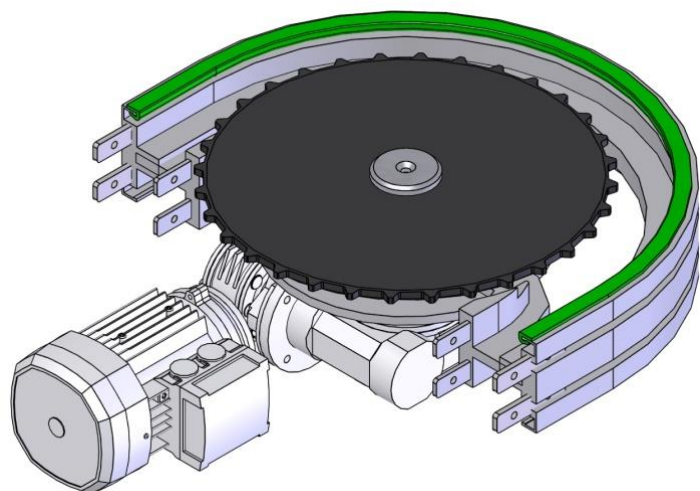
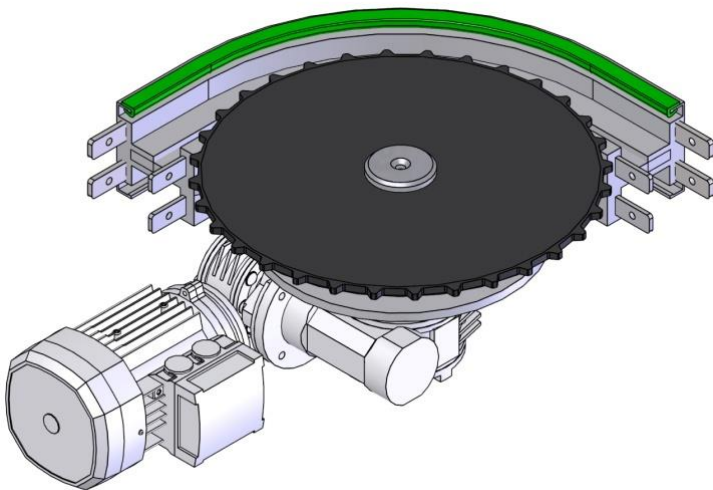
Normally, the unit is installed in 180° curves, but can also be used on 90° curves (supplied on request). In this case, the workload is lighter.

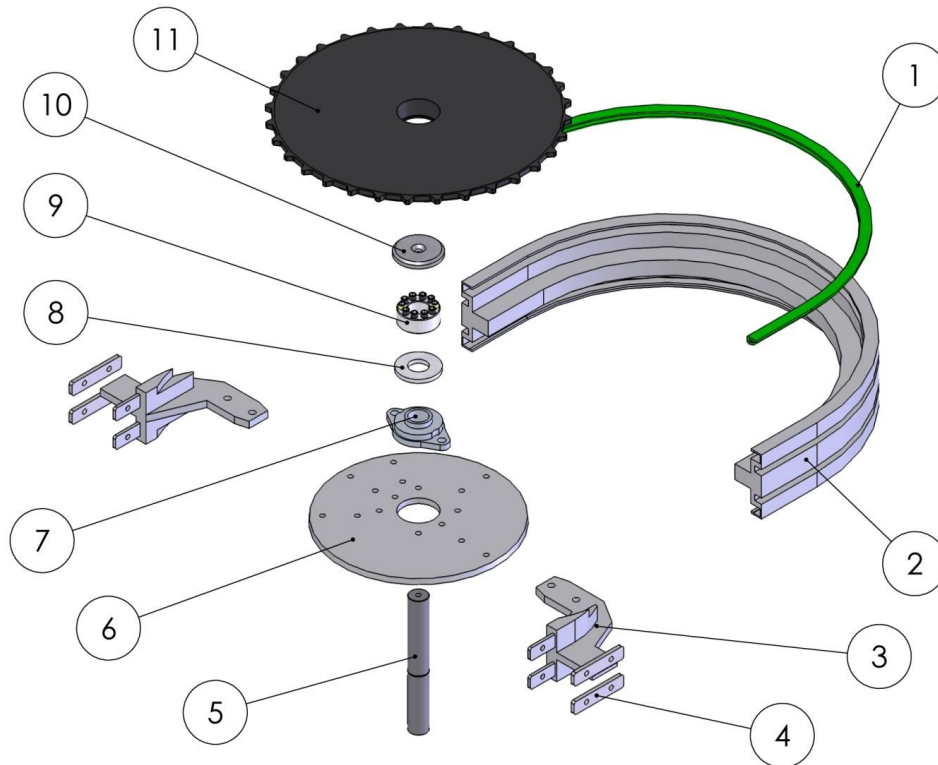
**Drives in curves can be created only with the following types of chains:**

Type BAT LF K 325 (bidirectional)

Type BAT HFP K 325 (bidirectional)

Note The BAT LF and HFP K 325 chains can be moved in both directions. This technical characteristic allows them to, for example, change directions for an accumulation storage unit with vertical spiral, by creating a very simple, practical LIFO system.





Article Number	Description	Article Code
1	CHAIN SLIDEWAY	GS1
2	EXTERNAL FLAT CURVE	F5EC180
3	CHANNEL GUIDE CONNECTOR FORK	F5CP03
4	CHANNEL JOINING PLATE	PG1
5	DRIVE SHAFT	*
6	BASE DISK	F5CM02
7	SUPPORT IN ALLOY DIAMETER 25	UFL005
8	WASHER	F5CM06
9	SHRINK DISK	MPBIKON-4000
10	CAP	F5CM07
11	TOOTHED DISK	F5CM03

\* Depends on the motor type

The parts indicated are not sold separately unless they are present in this catalogue in the designated section.

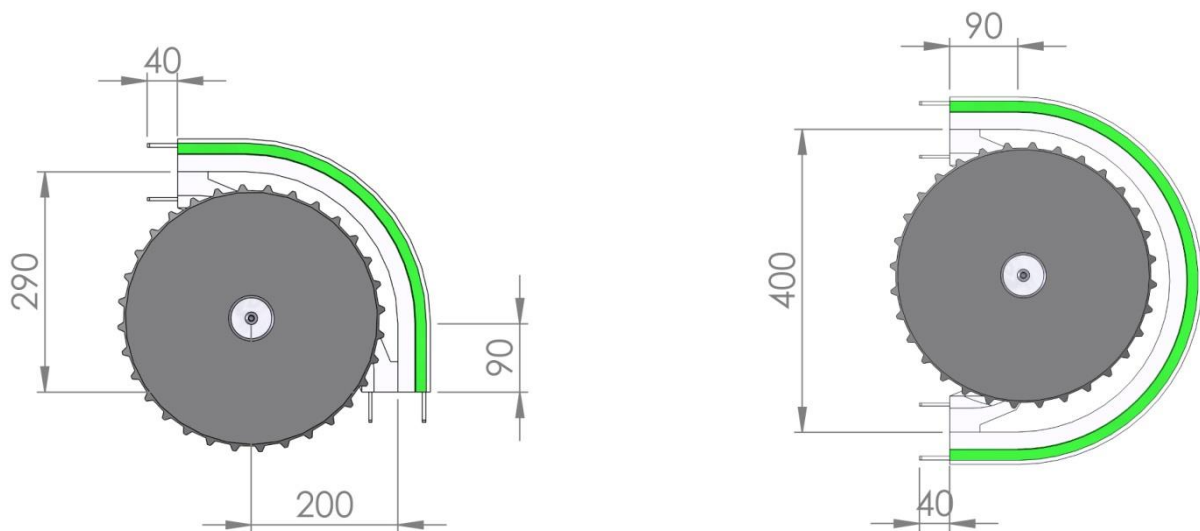
<b>HOW TO WRITE THE ORDER CODES FOR DRIVE UNITS IN CURVE</b>	
<b>Description</b>	<b>Order Code</b>
Motor drive type	Drive in curve: F5MC
Curve type	90° 180°
Motor gear type	Bonfiglioli MVF49 Bonfiglioli MVF49L Bonfiglioli MVF63
Motor gear presence	Yes: Y No: N

If purchasing the drive unit with your order, please specify the required speed at the time of ordering.

Example:

Motor drive in 180° curve with Bonfiglioli MVF49 motor gear included

Cod: F5MC-180-MVF49-Y

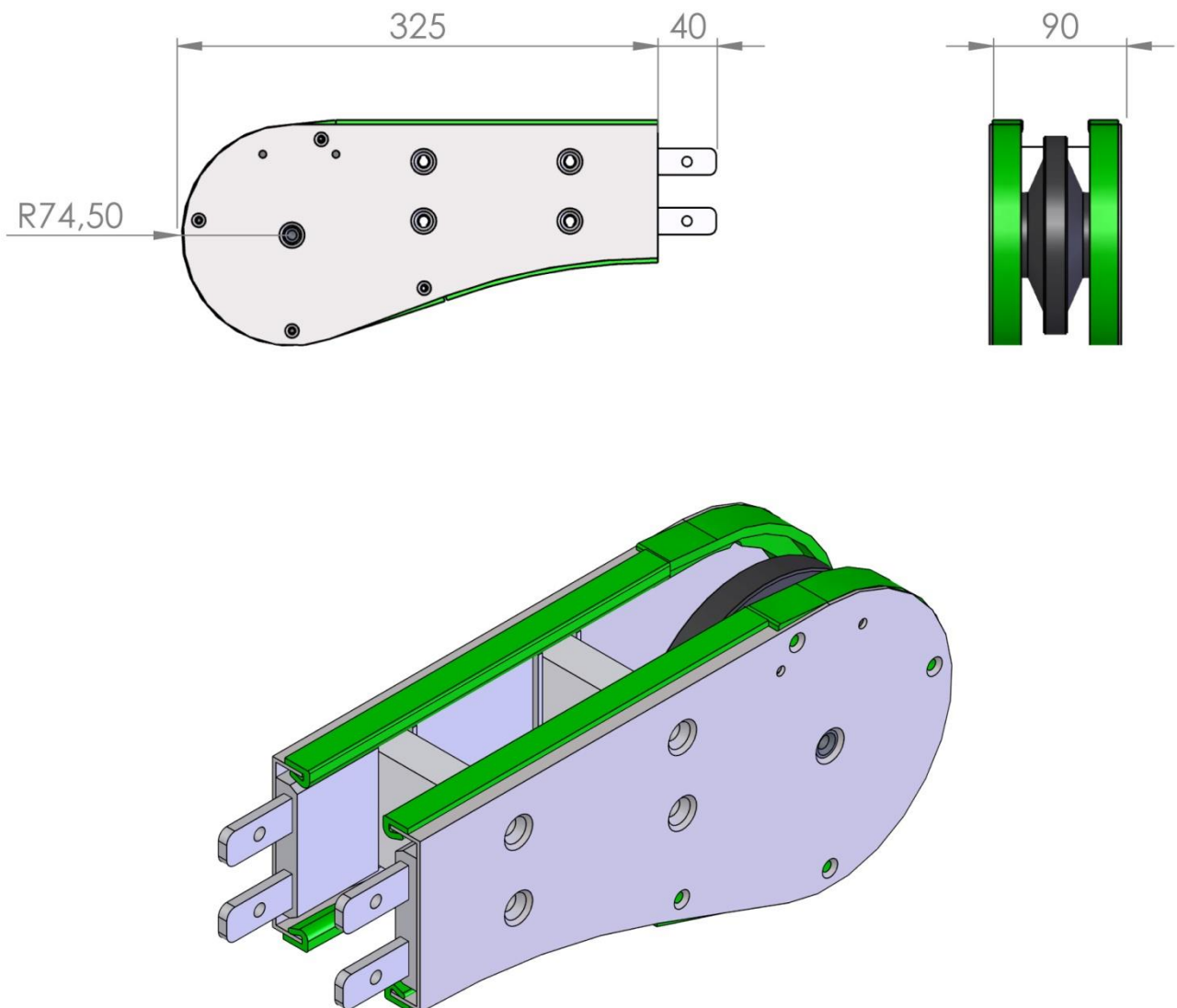


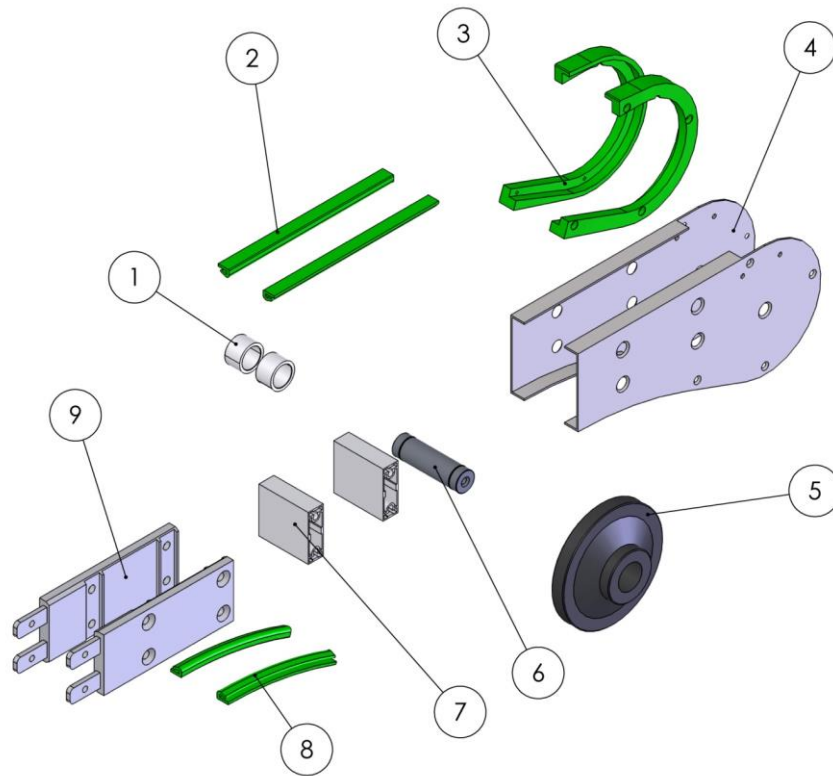
## Standard Returns

There are different standard return units to choose from depending on the construction requirements of the conveyor, for speeds of up to 70m/min. Every return unit has a chain guide around the entire track, to prevent the lower part from derailing.

The 90° return unit is used only for accumulation applications or with the spiral elevator conveyors that do not have return chains.

### 180° Long final return





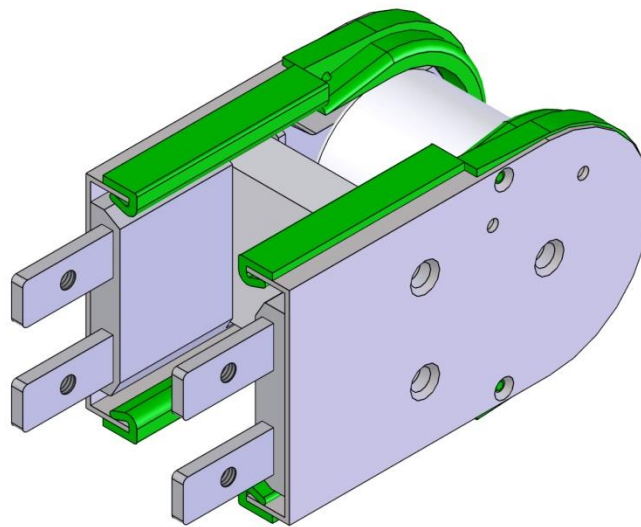
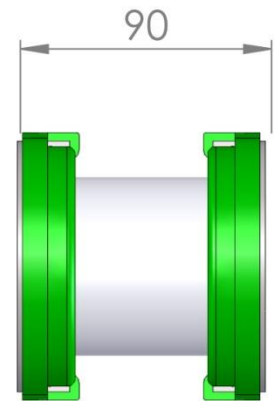
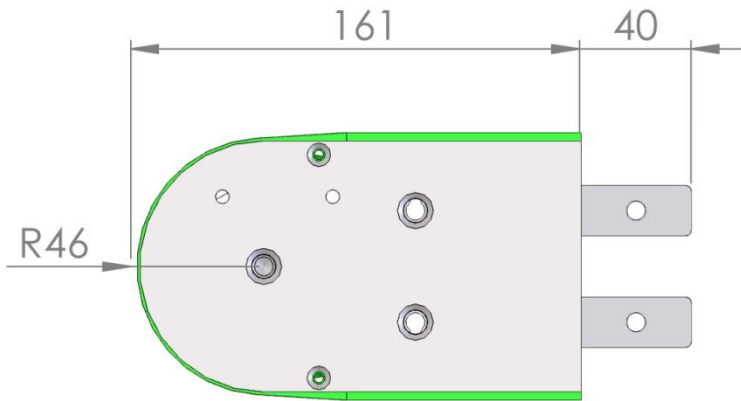
Article Number	Description	Article Code
1	IGUS BUSH	WFM-2528-21
2	CHAIN SLIDWAY	GS1
3	LEFT/RIGHT UNDERCHAIN SLIDE	F5TR13D F5TR13S
4	LEFT/RIGHT PLATE FOR 180° RETURN END WITH HOLE DIAM 35 mm	F5TRMD F5TRMS
5	RETURN WHEEL	F5RRRA
6	MOTOR DRIVE SHAFT FOR 180° RETURN IN AISI 304	F5TR3
7	INTERNAL SPACER	F5TM30
8	CHAIN SLIDWAY	GS1
9	CAST ALUMINUM MOTOR DRIVE	F5PG14

The parts indicated are not sold separately unless they are present in this catalogue in the designated section.

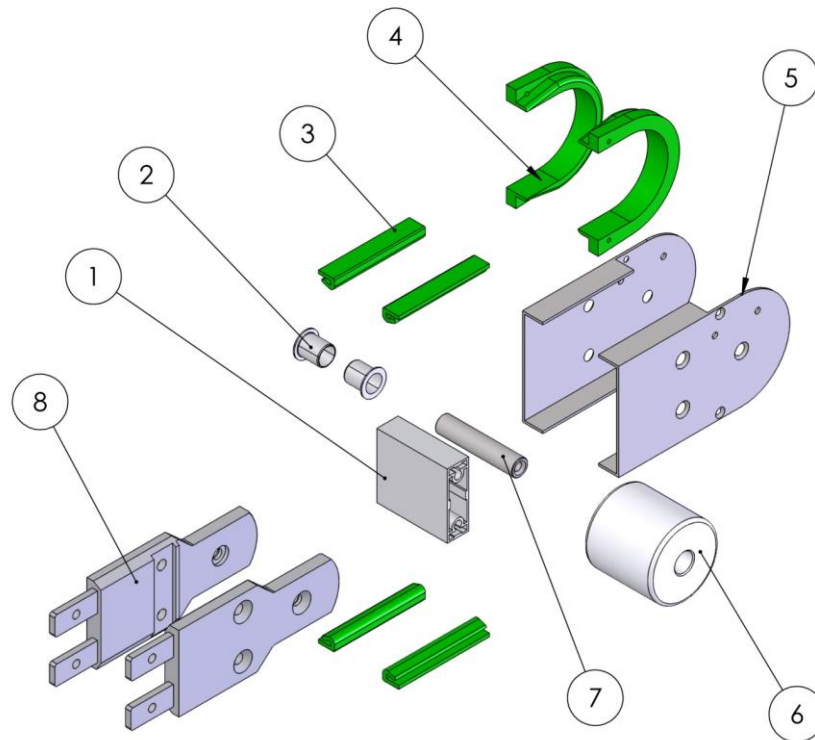
**Order Code: F5RL**



**180° Short final return**





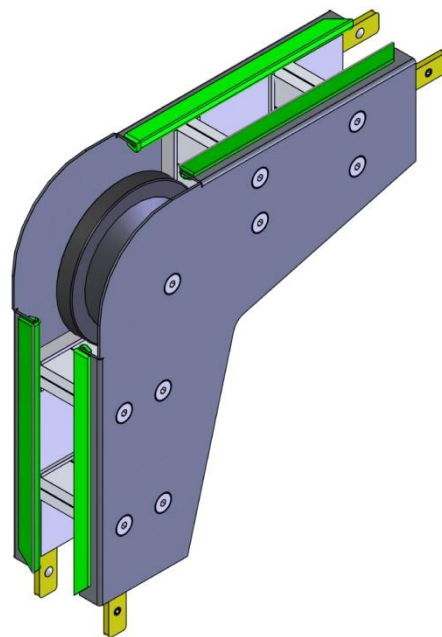
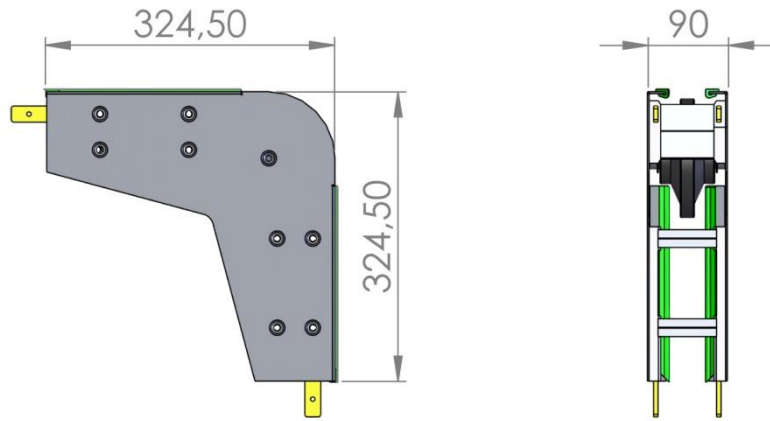


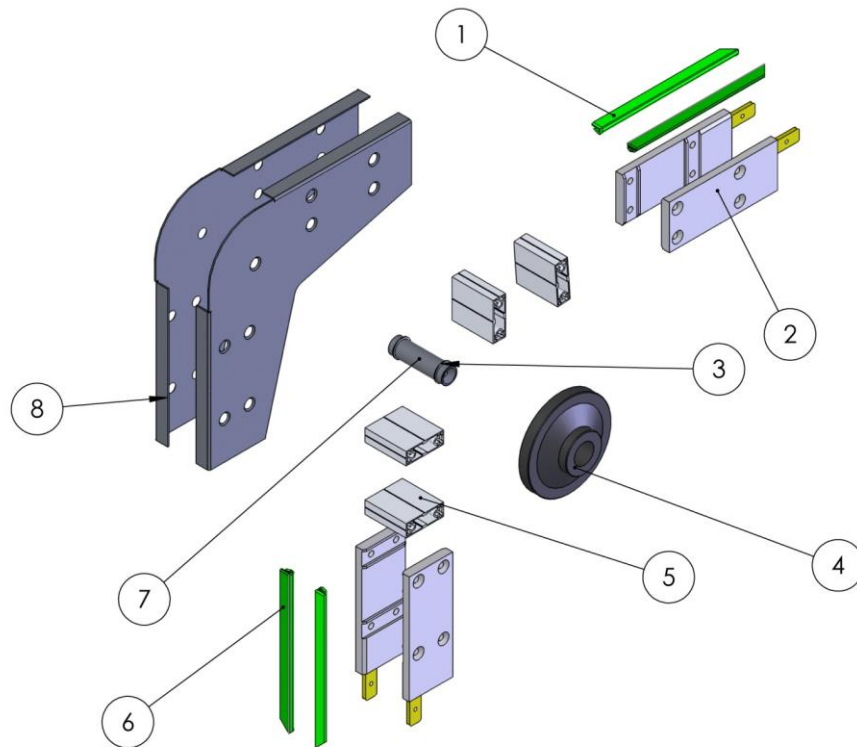
Article Number	Description	Article Code
1	INTERNAL SPACER	F5TM30
2	IGUS BUSH	GFM-1517-20
3	CHAIN SLIDEWAY	GS1
4	UNDERCHAIN SLIDE	F5TR11
5	PLATE FOR 180° SHORT RETURN END SHAFT IN STAINLESS STEEL AISI	F5PG13
6	NYLON ROLLER	F5TR8
7	SHAFT FOR 180° SHORT RETURN END IN STAINLESS STEEL AISI 304	F5TR33
8	LEFT/RIGHT PLATE FOR SHORT RETURN END	F5TR32D F5TR32S

The parts indicated are not sold separately unless they are present in this catalogue in the designated section.

**Order Code: F5RC**

**90° Final return**





Article Number	Description	Article Code
1	CHAIN SLIDEWAY	GS1
2	CAST ALUMINIUM MOTOR DRIVE PLATE	F5PG14
3	IGUS BUSH	MSM-2532-20
4	RETURN WHEEL IN BLACK POLYETHYLENE	F5RRRA
5	INTERNAL SPACER	F5TM30
6	CHAIN SLIDEWAY	GS1
7	SHAFT FOR 180° RETURN END IN STAINLESS STEEL AISI 304	F5TR33
8	STEEL SAFTEY PROTECTION	F5PTR90S

The parts indicated are not sold separately unless they are present in this catalogue in the designated section.

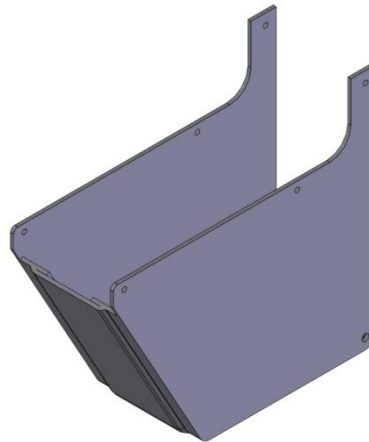
**Order Code: F5R90**



## Safety protection devices on the end drives

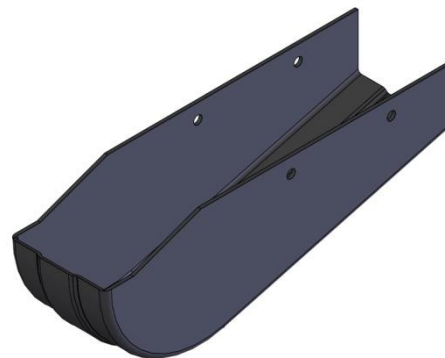
End motor drives safety protection

**Cod: F5-PMT**



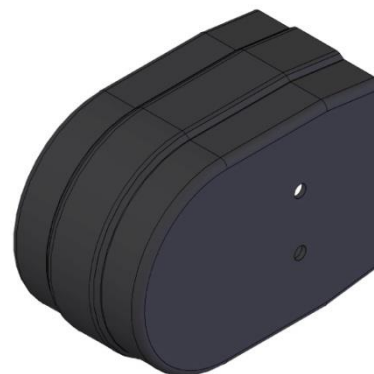
Long returns safety protection

**Cod: F5-PRL**



Short returns safety protection

**Cod: F5-TR10**



## Curves

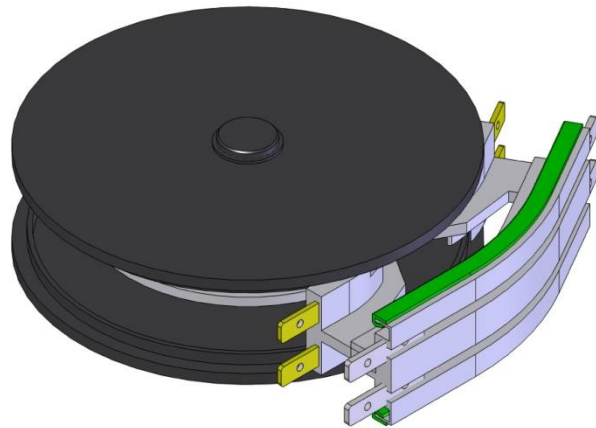
### Flat curves with idle disk

Flat curves with idle disk are used to allow the conveyor to change directions. They reduce the friction during function as much as possible.

The curve and idle disk are made to constantly guide the chain. The disk is supported by two waterproof bearings with permanent lubrication. However, an additional watertight protection cap is also provided.

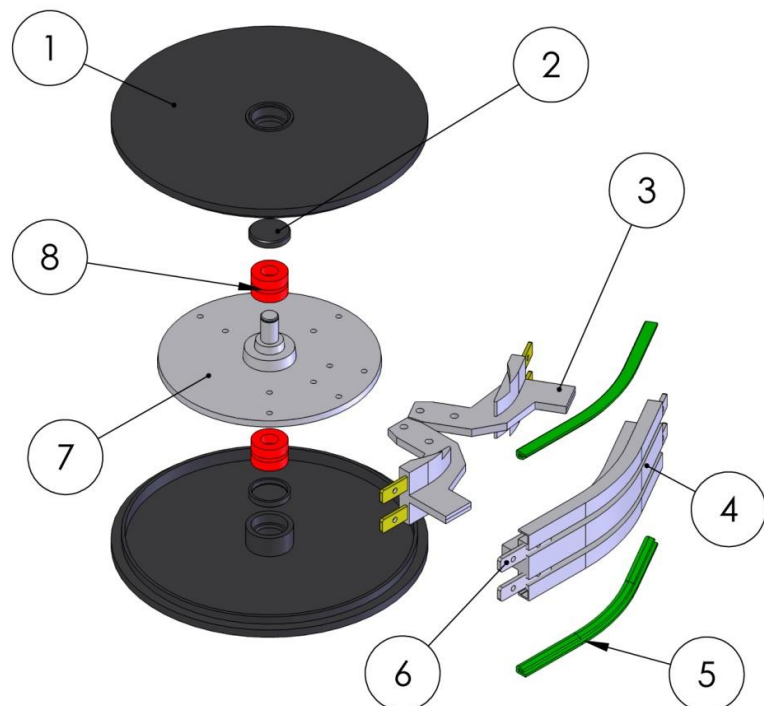
The curves can be with double disks for paths with two-way paths, or with a single disk for one-way paths.

The standard versions are: 30°-45°-60°-90°-180°

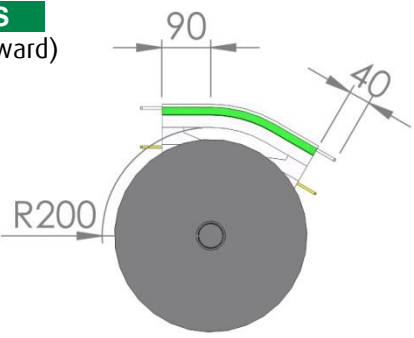
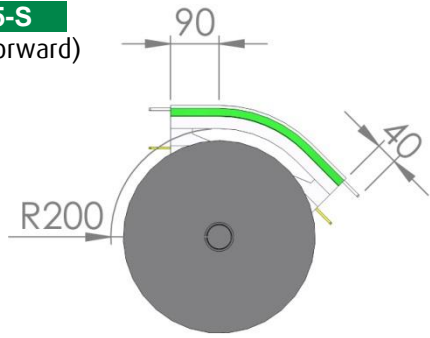
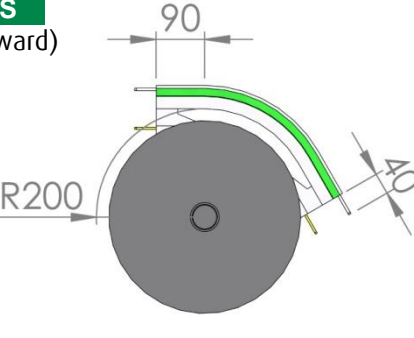
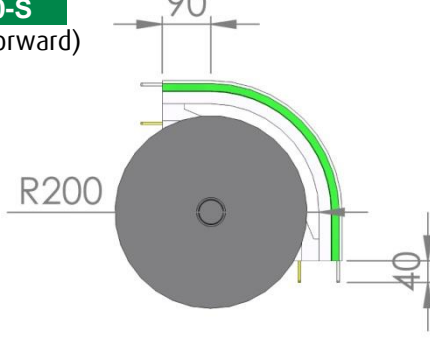
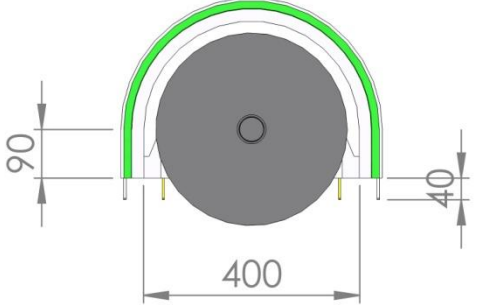


Article Number	Description	Article Code
1	POLYCARBONATE IDLE DISK	F5CP01
2	CAP	F5CP05
3	CHANNEL CONNECTOR FORK	F5CP03
4	EXTERAL FLAT CURVE	F5EC(ANGLE)
5	CHAIN SLIDEWAY	GS1
6	CHANNEL JOINING PLATE	PG1
7	BASE DISK WITH PIN FOR DOUBLE IDLE CURVE	F5CP02
8	BEARINGS	6004-2RS

The parts indicated are not sold separately unless they are present in this catalogue in the designated section.



Flat curves with idle disk

<p>30° CURVE</p> <p><b>Cod: F5-CF30-D</b> (double: forward and back)</p> <p><b>Cod: F5-CF30-S</b> (simple: only forward)</p> 	<p>45° CURVE</p> <p><b>Cod: F5-CF45-D</b> (double: forward and back)</p> <p><b>Cod: F5-CF45-S</b> (simple: only forward)</p> 
<p>60° CURVE</p> <p><b>Cod: F5-CF60-D</b> (double: forward and back)</p> <p><b>Cod.: F5-CF60-S</b> (simple: only forward)</p> 	<p>90° CURVE</p> <p><b>Cod: F5-CF90-D</b> (double: forward and back)</p> <p><b>Cod: F5-CF90-S</b> (simple: only forward)</p> 
<p>180° CURVE</p> <p><b>Cod: F5-CF180-D</b> (double: forward and back)</p> <p><b>Cod: F5-CF180-S</b> (simple: only forward)</p> 	

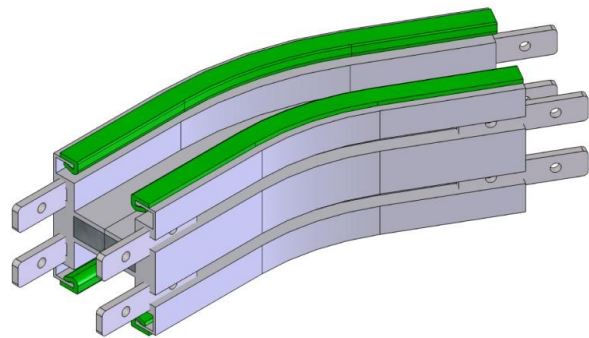
## Flat sliding curves

Flat sliding curves are used only in cases when it is necessary to contain the space on the sides, and therefore there is no option of installing the curve idle disk.

The standard versions are: 30°-45°-60°-90°-180°.

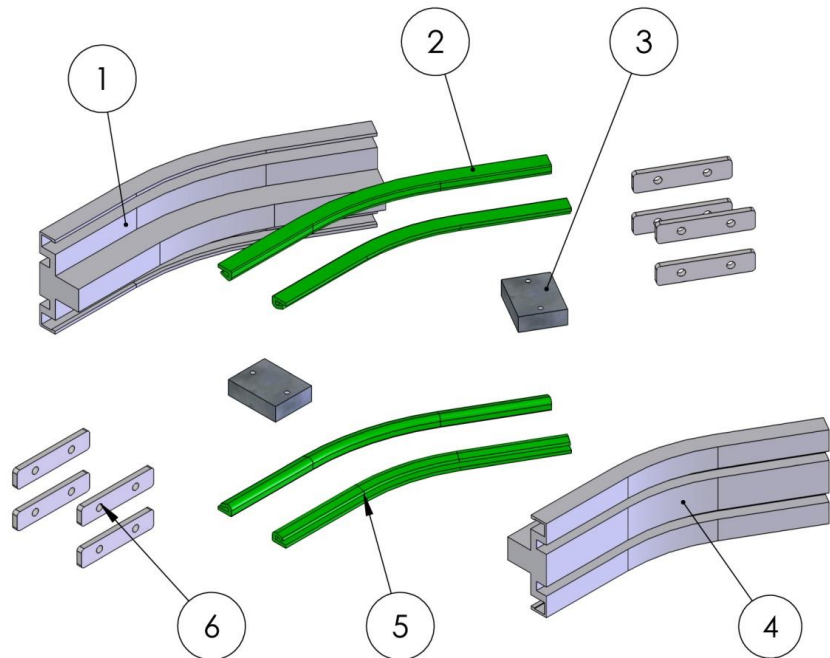
On request, curves with different radii from the standard model can be built, such as very wide radius curves for very long products.

Sliding curves raise the chain's working tension. It is then necessary to consider this when designing the conveyor.



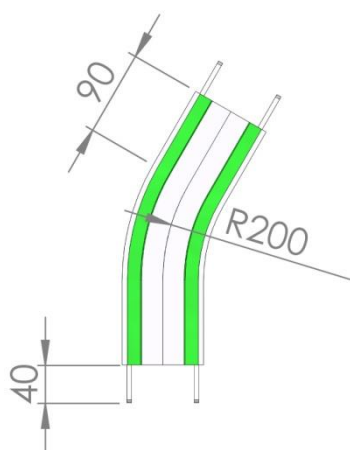
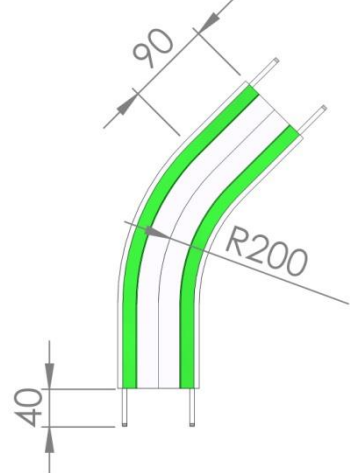
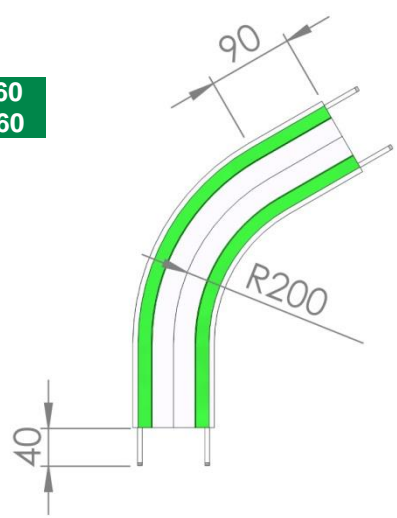
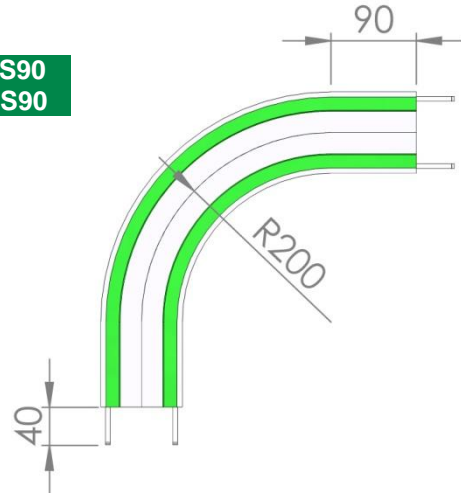
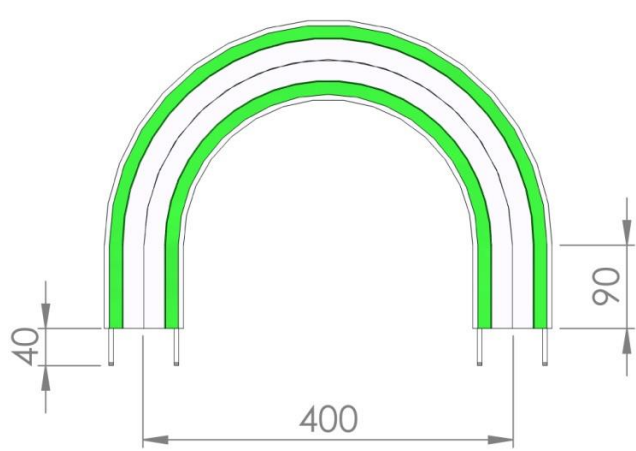
Article Number	Description	Article Code
1	EXTERNAL FLAT CURVE	F5EC(ANGLE)
2	CHAIN SLIDEWAY	GS1
3	JOINING PLATE	F5PG10
4	EXTERNAL FLAT CURVE	F5IC(ANGLE)
5	CHAIN SLIDEWAY	GS1
6	CHANNEL JOINING PLATE	PG1

The parts indicated are not sold separately unless they are present in this catalogue in the designated section.





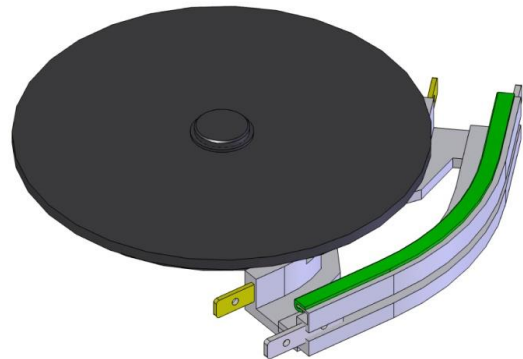
Flat sliding curves

<p>30° CURVE</p> <p><b>Cod: F5-CS30</b> <b>SS: F5X-CS30</b></p> 	<p>45° CURVE</p> <p><b>Cod: F5-CS45</b> <b>SS: F5X-CS45</b></p> 
<p>60° CURVE</p> <p><b>Cod: F5-CS60</b> <b>SS: F5X-CS60</b></p> 	<p>60° CURVE</p> <p><b>Cod: F5-CS90</b> <b>SS: F5X-CS90</b></p> 
<p>180° CURVE</p> <p><b>Cod: F5-CS180</b> <b>SS: F5X-CS180</b></p> 	



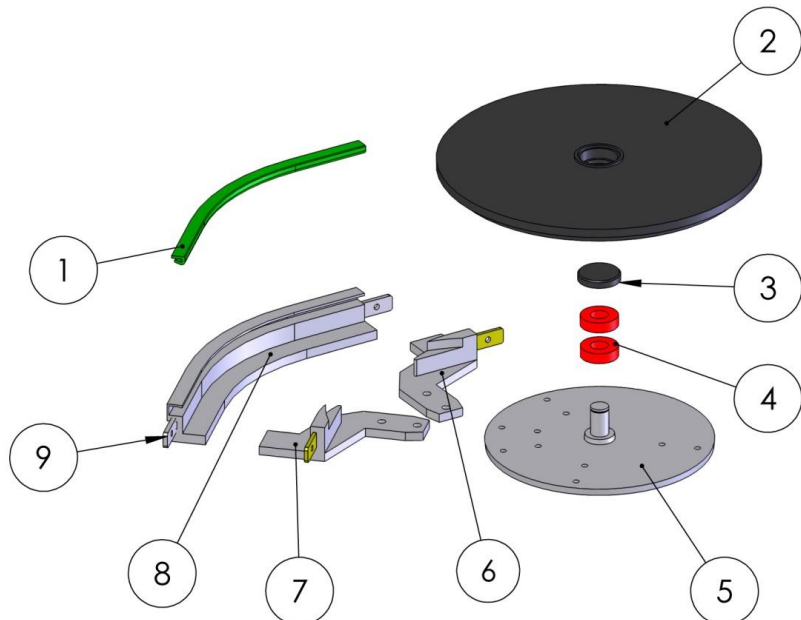
### SLIM flat curves with idle disk

Slim curves with low profiles are used with vertical spiral accumulation storage systems. Flat curves with idle disks are used to allow the conveyor to change directions. They reduce the friction during function as much as possible. The curve and idle disk are made to constantly guide the chain. The disk is supported by two waterproof bearings with permanent lubrication. However, an additional watertight protection cap is also provided. The standard versions are: 30°-45°-60°-90°-180°.



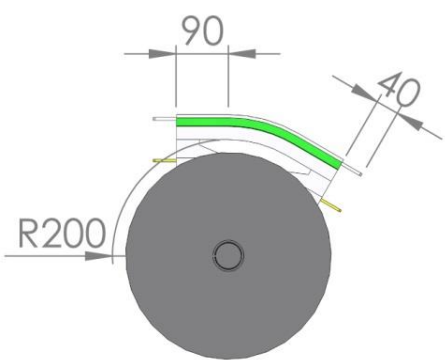
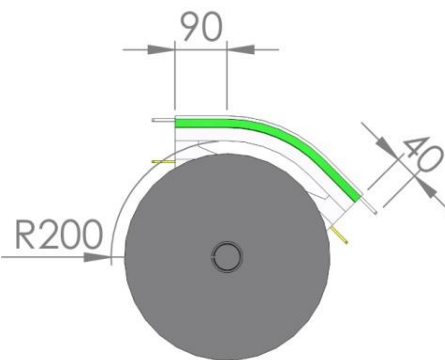
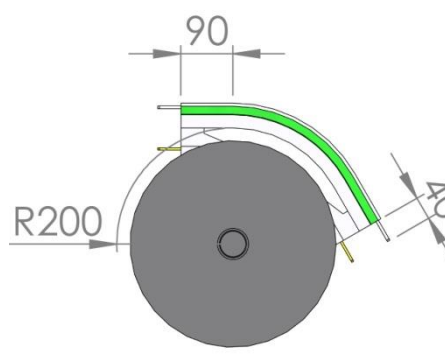
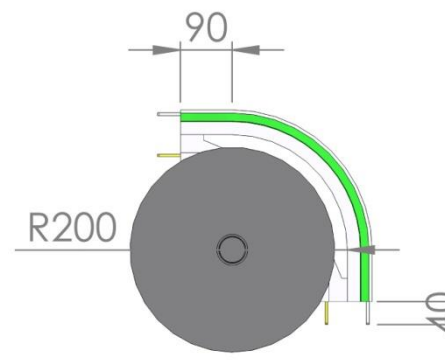
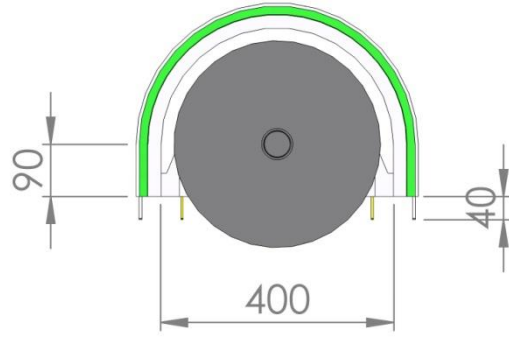
Article Number	Description	Article Code
1	CHAIN SLIDEWAY	GS1
2	POLYCARBONATE IDLE DISK	F5CP01
3	CAP	F5CP05
4	BEARINGS	6004-2RS
5	FLANGE WITH PIN FOR IDLE CURVE	F5SL02
6	SIMPLE RIGHT FORK	F5SL03D
7	SIMPLE LEFT FORK	F5SL03S
8	EXTERNAL CURVE	F5SL(ANGLE)EC
9	CHANNEL JOINING PLATE	PG1

The parts indicated are not sold separately unless they are present in this catalogue in the designated section.





SLIM flat curves with idle disk

<p>30° CURVE</p> <p><b>Cod.: F5-SL-CF30</b></p> 	<p>45° CURVE</p> <p><b>Cod.: F5-SL-CF45</b></p> 
<p>60° CURVE</p> <p><b>Cod: F5-SL-CF60</b></p> 	<p>90° CURVE</p> <p><b>Cod: F5-SL-CF90</b></p> 
<p>180° CURVE</p> <p><b>Cod: F5-SL-CF180</b></p> 	

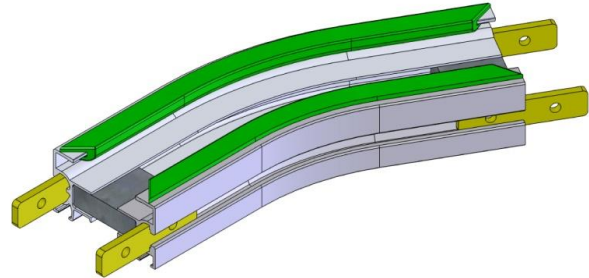
## SLIM flat sliding curves

Slim curves with low profiles are used with vertical spiral accumulation storage systems or when it is necessary to contain the space on the sides, and therefore there is no option of installing the curve idle disk.

The standard versions are: 30°-45°-60°-90°-180°.

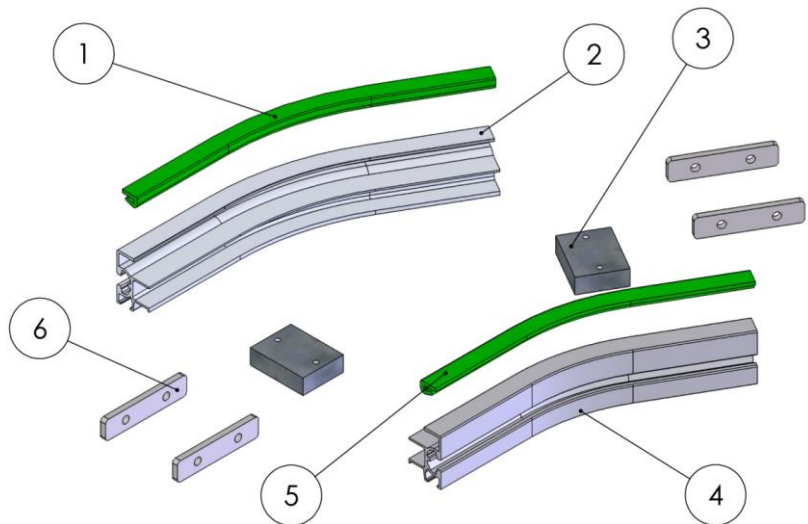
On request, curves with different radii from the standard model can be built, such as very wide radius curves for very long products.

Sliding curves raise the chain's working tension. It is then necessary to consider this when designing the conveyor.



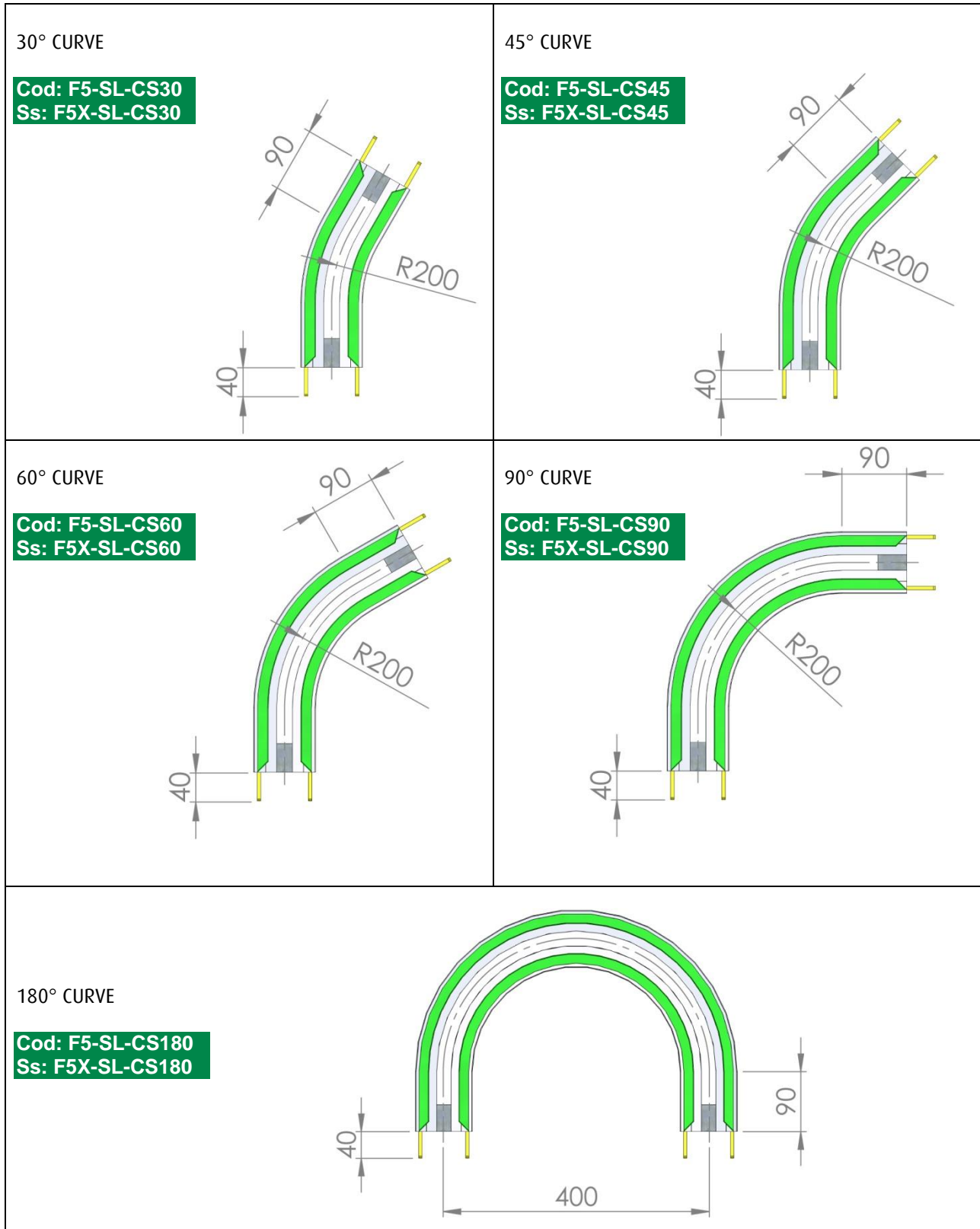
Article Number	Description	Article Code
1	CHAIN SLIDEWAY	GS1
2	EXTERNAL FLAT CURVE	F5EC(ANGOLO)
3	JOINING PLATE	F5PG10
4	INTERNAL FLAT CURVE	F5IC(ANGOLO)
5	CHAIN SLIDEWAY	GS1
6	CHANNEL JOINING PLATE	PG1

The parts indicated are not sold separately unless they are present in this catalogue in the designated section.



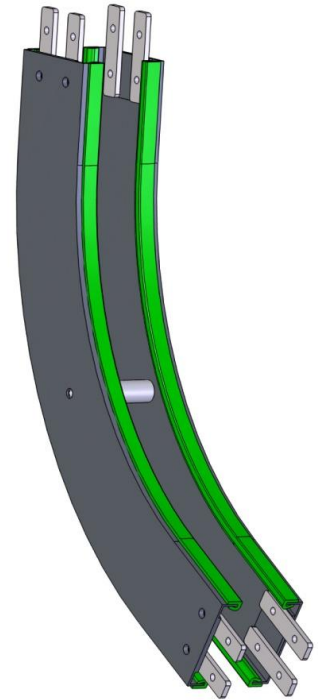


SLIM flat sliding curves



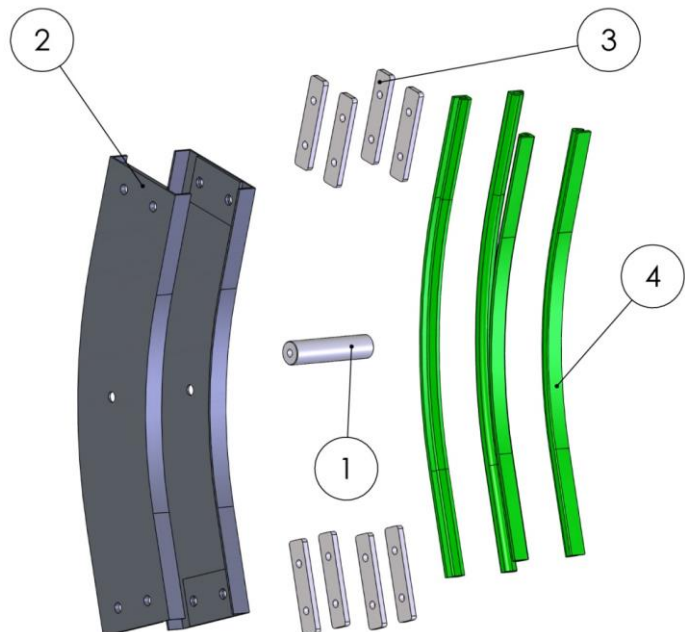
## Vertical sliding curves

This type of curve is used to form climbing or descending paths with slants that normally are greater than 11°. In these cases, the conveyor chain must have flights to ensure that the pieces are handled correctly. Vertical curves are made in satin finish stainless steel and are provided on specific request.



Num. Articolo	Descrizione	Codice Articolo
1	SPACER	F5DCV
2	SIDE	F5CSV(ANGLE)
3	CHANNEL JOINING PLATE	PG1
4	CHAIN SLIDEWAY	GS1

The parts indicated are not sold separately unless they are present in this catalogue in the designated section.



**Vertical sliding curves**

Note: For vertical curves up to 11°, the slope change is created with joining channel plates PG 4 (see page 9).

<p>30° CURVE</p>	<p><b>Cod: F5-CSV30</b></p>	
<p>40° CURVE</p>	<p><b>Cod: F5-CSV40</b></p>	
<p>60° CURVE</p>	<p><b>Cod: F5-CSV60</b></p>	
<p>90° CURVE</p>	<p><b>Cod: F5-CSV90</b></p>	

**SUMMARIZING TABLE OF ORDER CODES FOR CURVES**

Description	Order Code
Curve type	Flat curve with idle disk : F5CF Flat sliding curve : F5CS Slim flat curve with idle disk: : F5CFSL Slim flat sliding curve : F5CSSL Vertical sliding curve : F5CSV
Material	Standard Aluminum: Stainless Steel: X
Degrees	30 40 (standard only for vertical curves) 45 60 90 180  (In case of realization of curves with out of standard degrees, please insert required degrees)
Number of disks (Only for disk curves)	Single: S Double: D
Average Radius (Only in case of out of standard curves)	Specify average radius dimension in mm

Example of standard curve order code:

30° Flat curve with double idle disk  
Cod: F5CF-30-D

Example of out of standard curve order code:

15° Vertical sliding curve with a average radius of 400 mm  
Cod: F5CSV-15-R500

## Components for BAT F5 pallet conveyor systems

### TYPES OF PALLETS

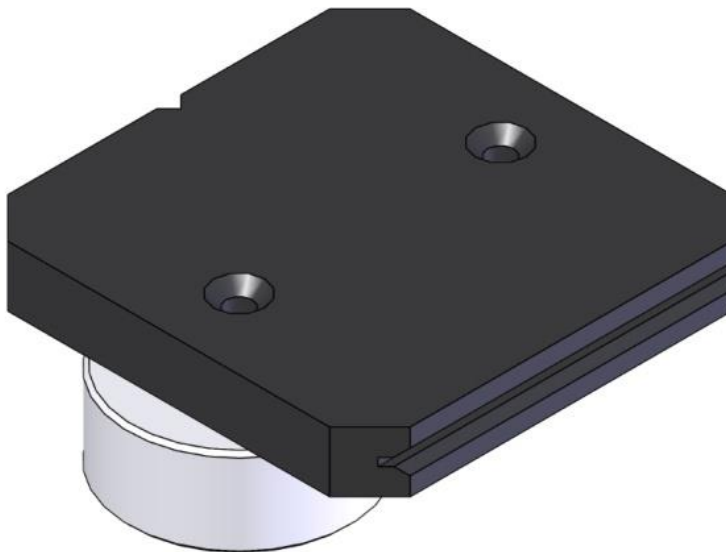
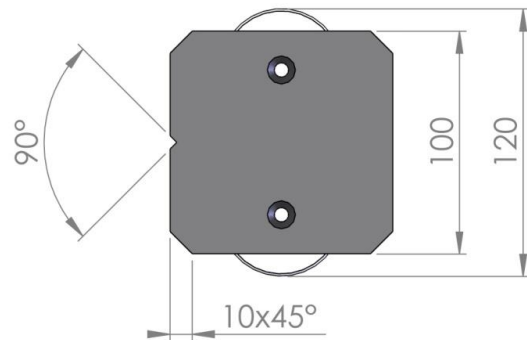
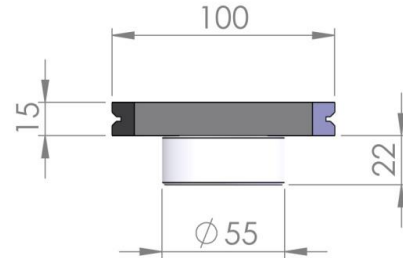
#### Standard pallets 100x100 mm

Material

- Pallet base in shaped polyethylene for centring and lateral handling
- Sliding lugs in polyethylene Ø 55 mm

Length	: 100 mm
Width	: 100 mm
Height	: 37 mm
Weight	: 0.3 kg
Max. load (pallet + piece)	: 3 Kg

**Order Code: F5 P100X100**





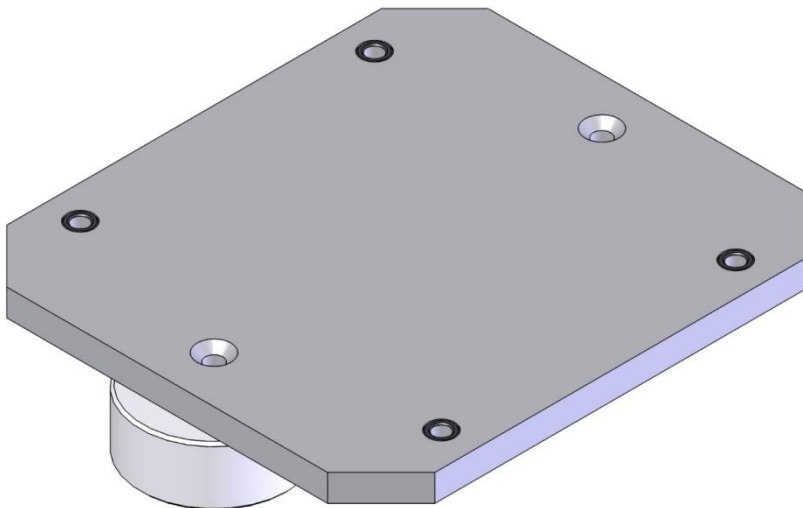
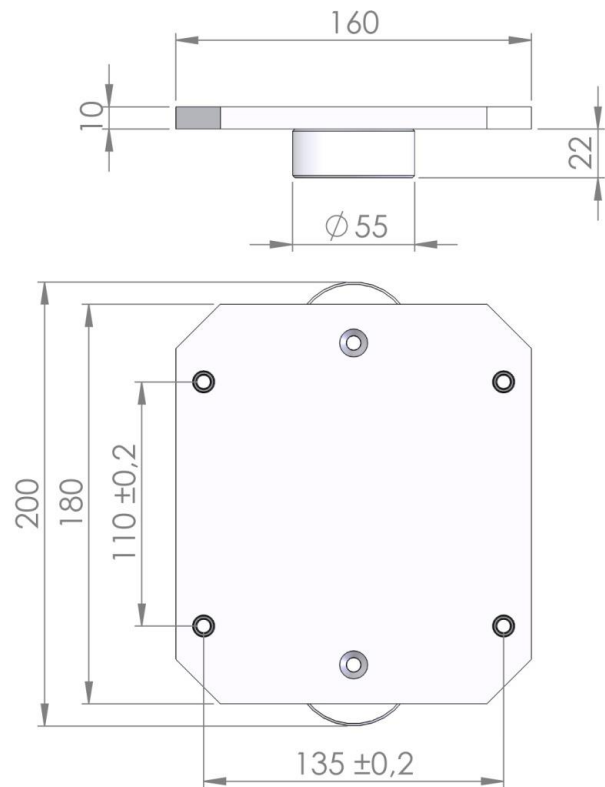
**Standard pallet 180x160 mm**

Material

- Pallet base in galvanized steel or anodized aluminum with tempered centring bushings
- Sliding lugs in polyethylene Ø 55 mm

Length	: 180 mm
Width	: 160 mm
Height	: 32 mm
Weight	: 2.3 kg
Max. load (pallet + piece)	: 6 Kg

**Order Code: F5 P180X160**



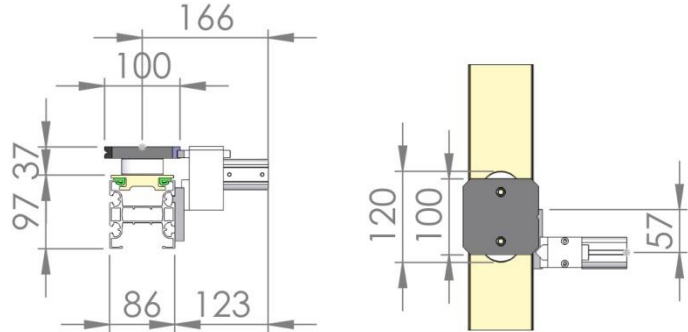
The maximum admissible load must still be verified on the project site, depending on the layout and the working conditions.



## PALLET 100X100 MANAGEMENT UNITS

### Simple pallet stopping unit

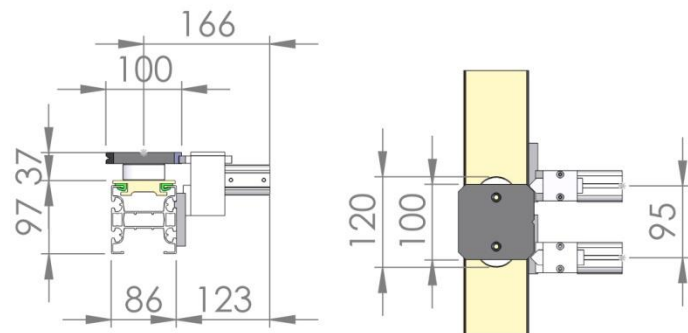
Cylinder bore	: 25
Stroke	: 100 mm
Pushing force	: 245 N at 6 Bar
Load on chain	: 120 Kg max



**Order Code: F5 GFP100x100**

### Pallet stop gate unit

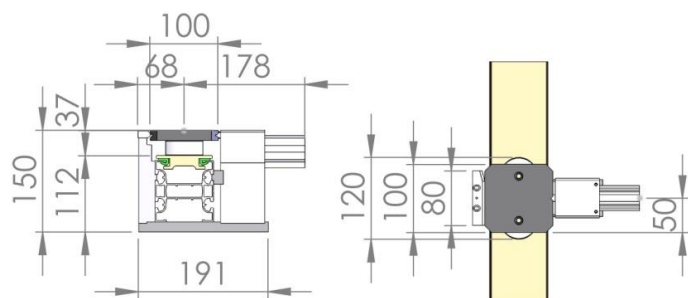
Cylinder bore	: 25
Stroke	: 20 mm
Pushing force	: 245 N at 6 Bar
Load on chain	: 120 Kg max



**Order Code: F5 GSP100x100**

### Pallet centring unit

Cylinder bore	: 25
Stroke	: 20 mm
Pushing force	: 147 N at 6 Bar
Blocking force	: ~ 294 N
Precision	: ± 0.1 mm
Pallet lifting	: 0.5 mm



**Order Code: F5 GCP100x100**

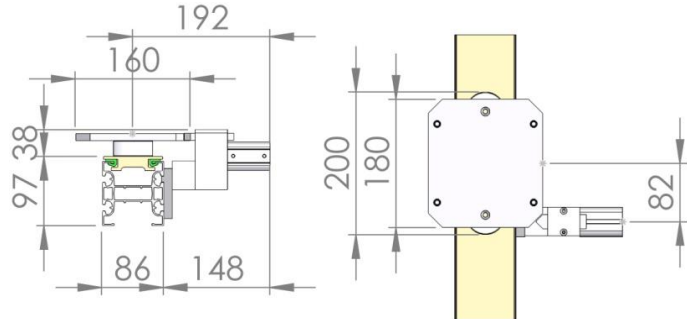
All the units including of limit switch for cylinders and connectors.



## PALLET 180X160 MANAGEMENT UNITS

### Simple pallet stopping unit

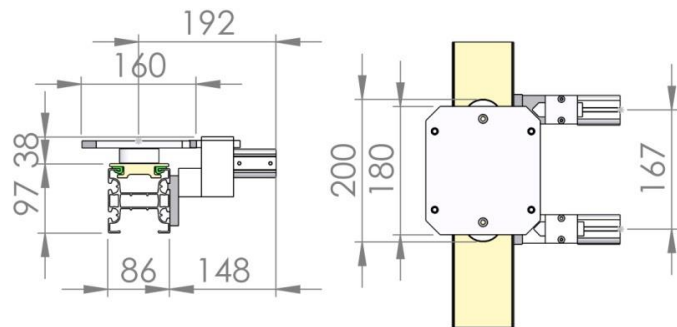
Cylinder bore	: 25
Stroke	: 100 mm
Pushing force	: 245 N at 6 Bar
Load on chain	: 120 Kg max



**Order Code: F5 GFP180x160**

### Pallet stop gate unit

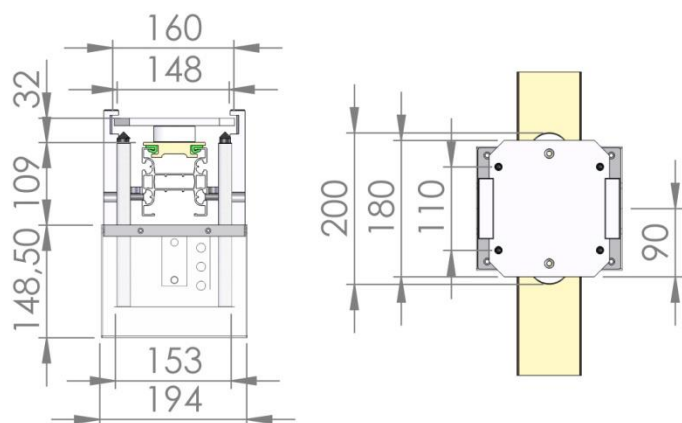
Cylinder bore	: 25
Stroke	: 20 mm
Pushing force	: 245 N at 6 Bar
Load on chain	: 120 Kg max



**Order Code: F5 GSP180x160**

### Pallet centring unit

Cylinder bore	: 50
Stroke	: 20 mm
Pushing force	: 196 N at 6 Bar
Blocking force	: ~ 686 N
Precision	: ± 0.05 mm
Pallet lifting	: 2 mm



**Order Code: F5 GCP180x160**

All the units are including of limit switch for cylinders and connectors.



## Lateral guides

BAT F5 is an open system that allows to use several types of supports and lateral guides found on the market.

The guides shown below can be either fixed or adjustable, depending on client needs.

The corresponding data are correlated to a basic guide format: on request, accessories to increase flexibility are available.

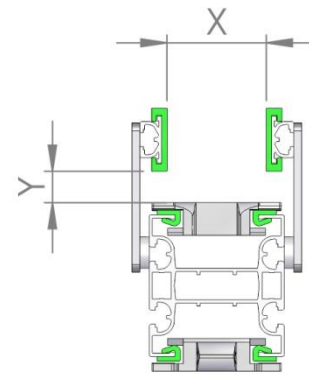
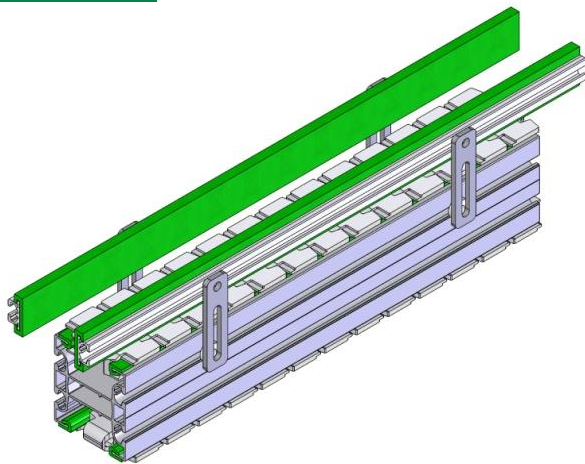
For more technical information and evaluations, please contact our Technical Office.

Making guides in curves are no problem when using fixed guides.

For adjustable guides for curves, please contact our Technical Office.

### Fixed guides

#### F5 GPF1



#### Composition (per channel meter):

GL40P	: 2 m
GL30A	: 2 m
DS2010A6/16/26	: 4 pieces
PSG95	: 4 pieces

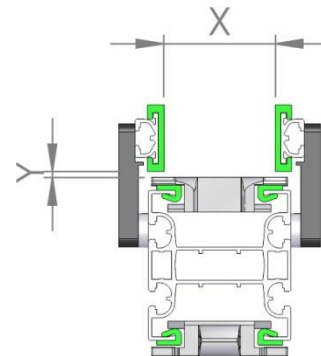
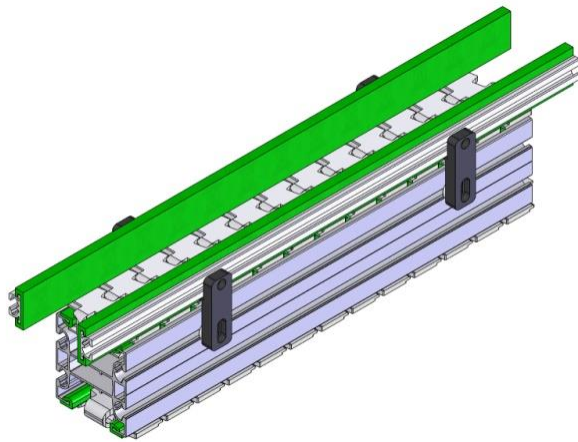
#### Clearance:

X	: 63 mm minimum*
Y	: 3 ÷ 19 mm*

\* The X dimension changes with the length of the aluminum spacer.

The Y dimension varies through the slot in the PSG95 plate.

**F5 GPF2**



**Composition (per channel meter):**

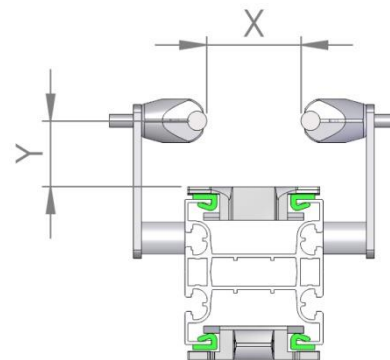
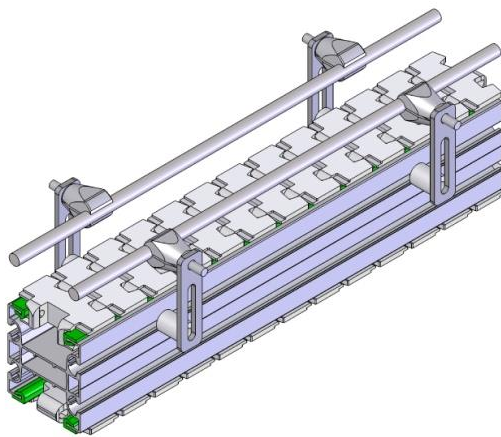
GL40P	: 2 m
GL30A	: 2 m
DS2010A6/16/26	: 4 pieces
PSG10	: 4 pieces

**Clearance:**

X	: 67 mm minimum*
Y	: 3 mm*

\* The X dimension changes with the length of the aluminum spacer.  
The Y dimension varies through the slot in the PSG10 plate.

**F5 GPF3**



**Composition (per channel meter):**

GL12SS	: 2 m
MGT12	: 4 pieces
DS2010A27/37/47	: 4 pieces
PSG95	: 4 pieces

**Clearance:**

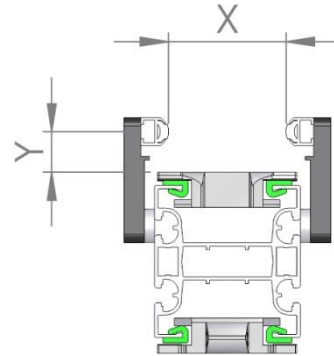
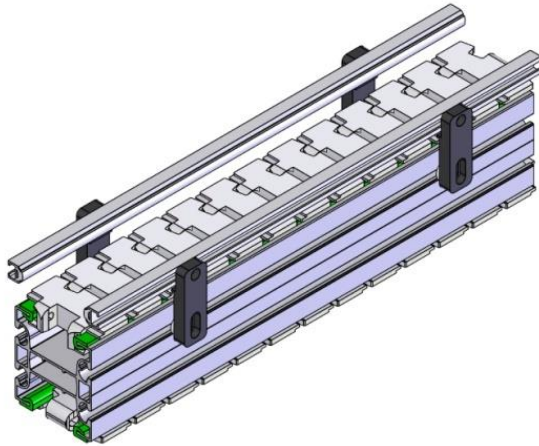
X	: 60 mm minimum*
Y	: 15 ÷ 39 mm*

\* The X dimension changes with the length of the aluminum spacer.  
The Y dimension varies through the slot in the PSG95 plate.



**F5 GPF4**

Available only for pallet conveyors



**Composition (per channel meter):**

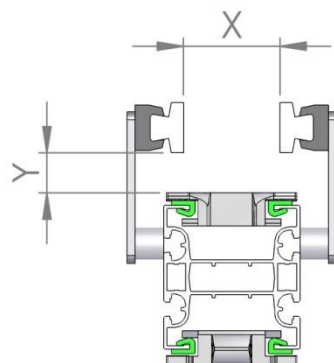
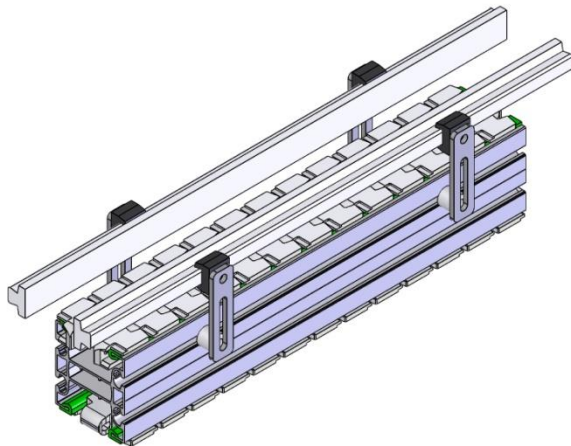
GL16PA	: 2 m
DS2010A6/16/26	: 4 pieces
PSG10	: 4 pieces

**Clearance:**

X	: 70 mm minimum*
Y	: 24 mm*

\* The X dimension changes with the length of the aluminum spacer.  
The Y dimension varies through the slot in the PSG10 plate.

**F5 GPF6**



**Composition (per channel meter):**

GL31SS	: 2 m
MGL31SS	: 4 pieces
DS2010A18/28/38	: 4 pieces
PSG95	: 4 pieces

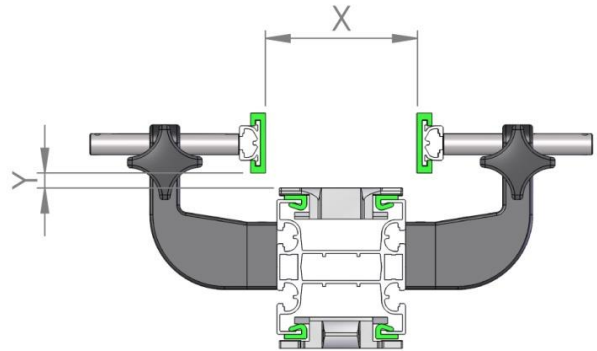
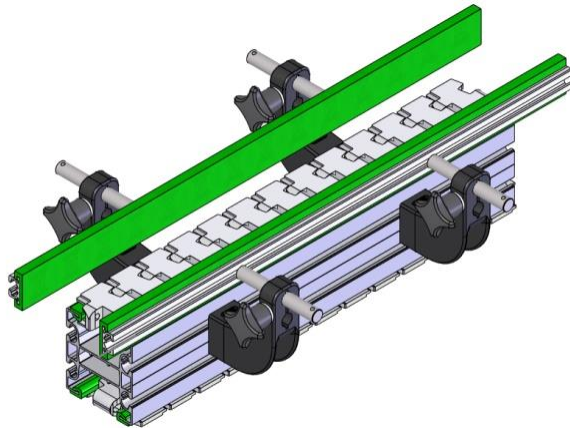
**Clearance:**

X	: 60 mm minimum*
Y	: 3 ÷ 23 mm*

\* The X dimension changes with the length of the aluminum spacer.  
The Y dimension varies through the slot in the PSG95 plate.

## Adjustable guides

### F5 GPR4



#### Composition (per channel meter):

GL40P	: 2 m
GL30A	: 2 m
SG11	: 4 pieces
DS11	: 4/8/12 pieces
PFG14	: 4 pieces

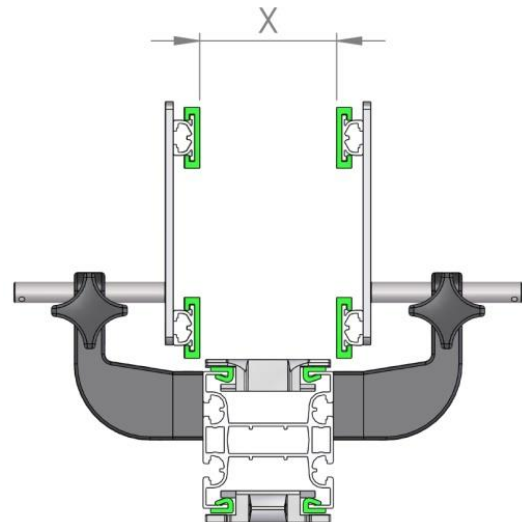
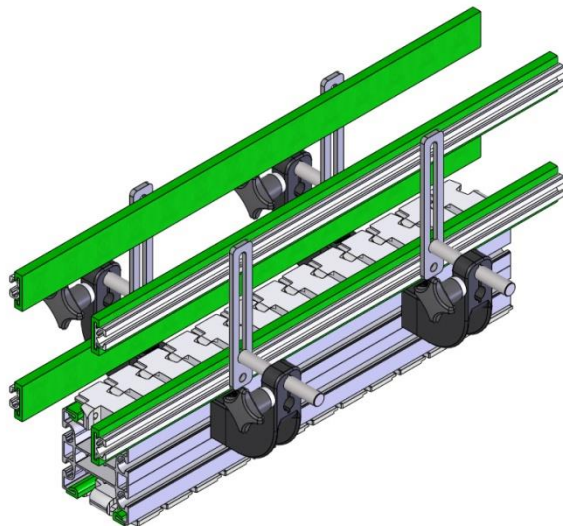
#### Clearance:

X	: 30 ÷ 82 mm*
Y	: 13 ÷ 35 mm*

\* The X dimension depends on the number of DS11 spacers used and the adjustment provided by the PFG14 pin.

The Y dimension is Y varies through the slot in the SG11 support and on the DS11 spacer.

### F5 GPR6



#### Composition (per channel meter):

GL40P	: 4 m
GL30A	: 4 m
SG11	: 4 pieces
DS11	: 4/8/12 pieces
PFG14	: 4 pieces
PSG160	: 4 pieces

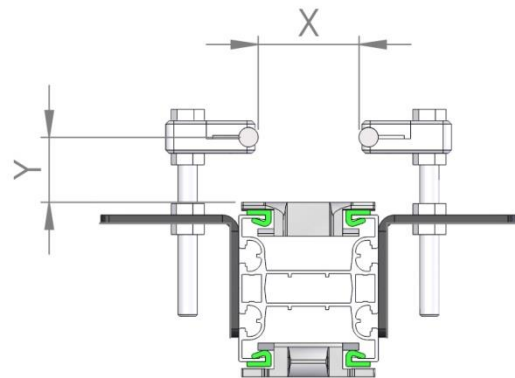
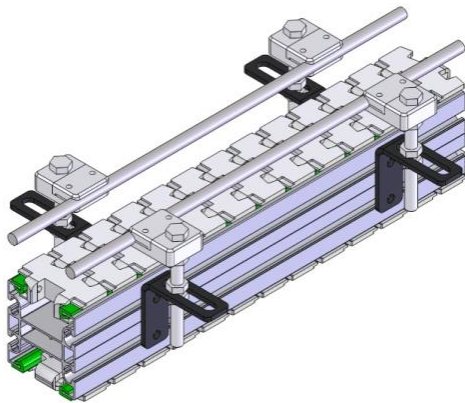
#### Clearance:

X	: 30 ÷ 82 mm*
---	---------------

\* The X dimension depends on the number of DS11 spacers used and the adjustment provided by the PFG14 pin.



**F5 GPR7**



**Composition (per channel meter):**

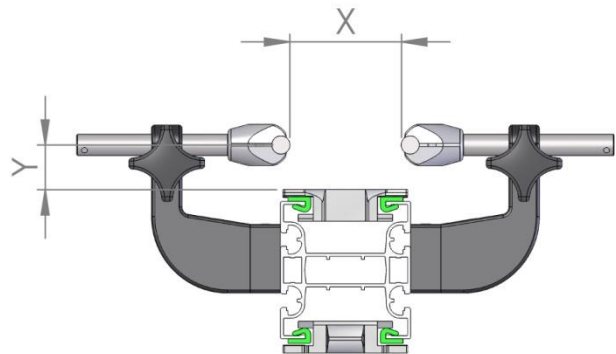
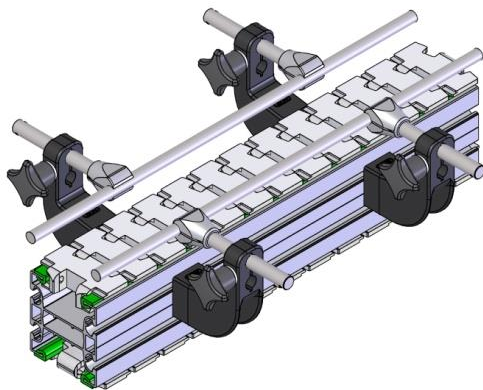
GL12SS	: 2 m
M240-241	: 4 pieces
Bracket 244	: 4 pieces
Screws M12x120	: 4 pieces
PS6020 20/40/60	: 4 pieces

**Clearance:**

X	: 40 ÷ 120 mm*
Y	: 26 ÷ 80 mm*

\* The X dimension changes with the slot on the 244 bracket.  
The Y dimension can be adjusted with the support screws.

**F5 GPR11**



**Composition (per channel meter):**

GL12SS	: 2 m
MGT12	: 4 pieces
SG11	: 4 pieces
SG11DS11	: 4/8/12 pieces
PFG14	: 4 pieces

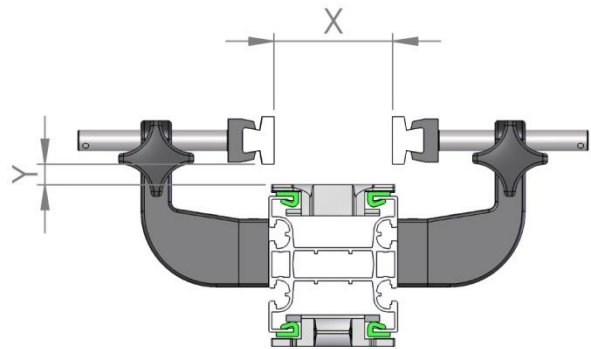
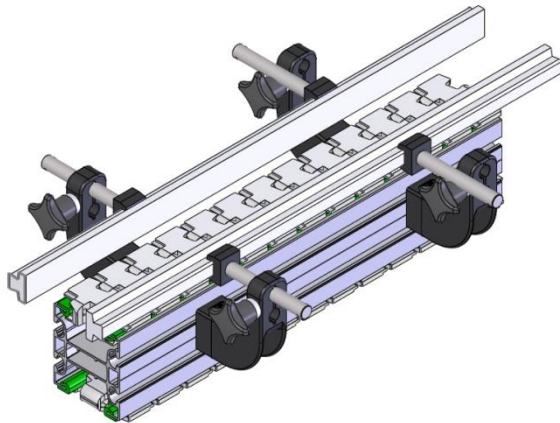
**Clearance:**

X	: 30 ÷ 90 mm*
Y	: 33 ÷ 55 mm*

\* The X dimension depends on the number of DS11 spacers used and the adjustment provided by the PFG14 pin.  
The Y dimension is Y varies through the slot in the SG11 support and on the DS11 spacer.



**F5 GPR17**



**Composition (per channel meter):**

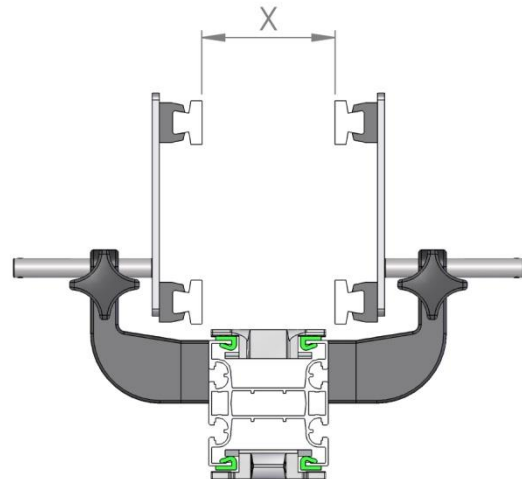
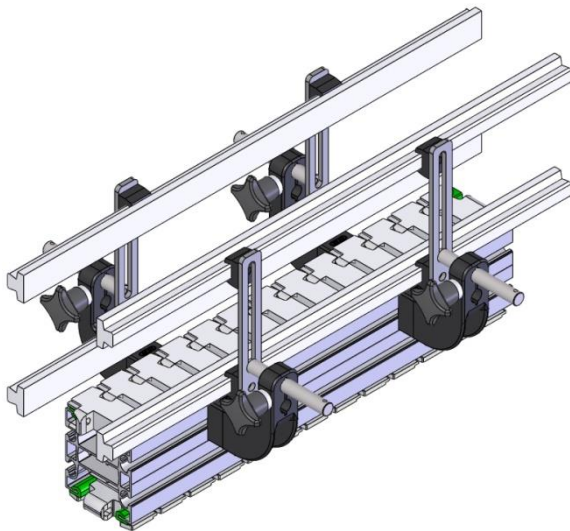
GL315S	: 2 m
MGL315S	: 4 pieces
SG11	: 4 pieces
DS11	: 4/8/12 pieces
PFG14	: 4 pieces

**Clearance:**

X	: 30 ÷ 70 mm*
Y	: 17 ÷ 39 mm*

\* The X dimension depends on the number of DS11 spacers used and the adjustment provided by the PFG14 pin.  
The Y dimension is Y varies through the slot in the SG11 support and on the DS11 spacer.

**F5 GPR18**



**Composition (per channel meter):**

GL315S	: 4 m
MGL315S	: 8 pieces
SG11	: 4 pieces
DS11	: 4/8/12 pieces
PFG14	: 4 pieces
PSG160	: 4 pieces

**Clearance:**

X	: 30 ÷ 70 mm*
---	---------------

\* The X dimension depends on the number of DS11 spacers used and the adjustment provided by the PFG14 pin.

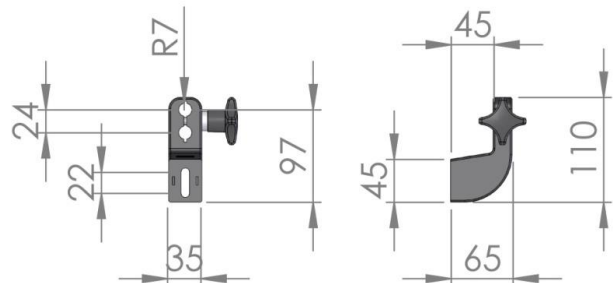


## Lateral guides accessories

### Support

Material : Polyamide  
 Colour : Black  
 Packaging : 10 pieces

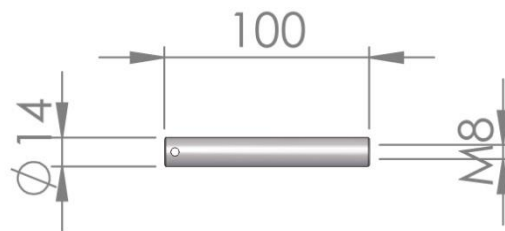
**Order Code: SG11**



### Guide fastening pin

Material : Stainless steel  
 Packaging : 10 pieces

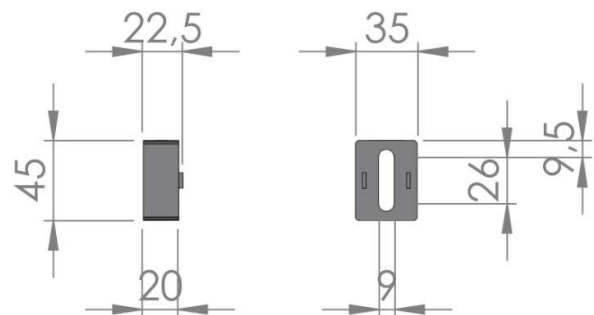
**Order Code: PFG14**



### Support spacer

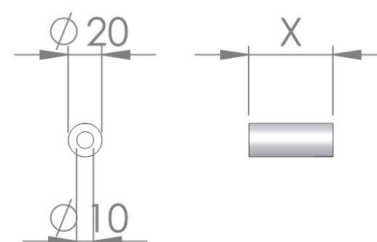
Material : Polyamide  
 Colour : Black  
 Packaging : 10 pieces

**Order Code: DS11**



Material : Anodized aluminum  
 Packaging : Custom cut into bars

**Order Code: DS2010A**

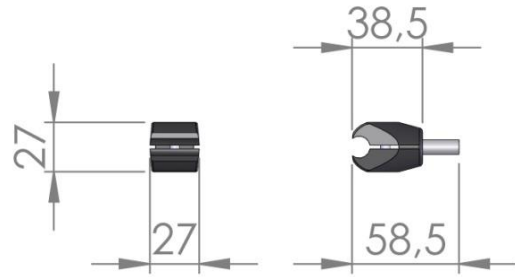




### Guide support clamps

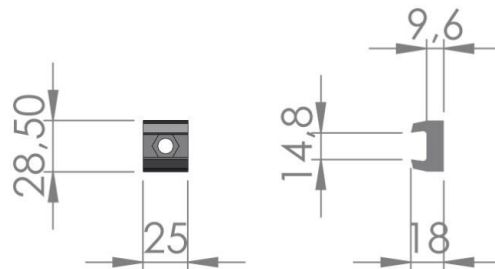
Material : Polyamide  
Colour : Black  
Packaging : 10 pieces

**Order Code: MGT12**



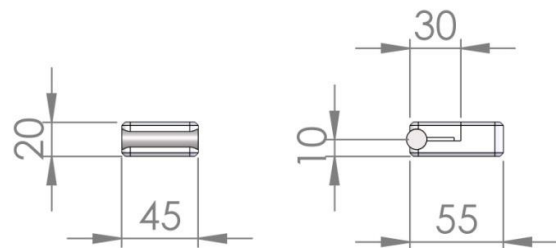
Material : Polyamide  
Colour : Black  
Packaging : 20 pieces with bolts

**Order Code: MGL31SS**



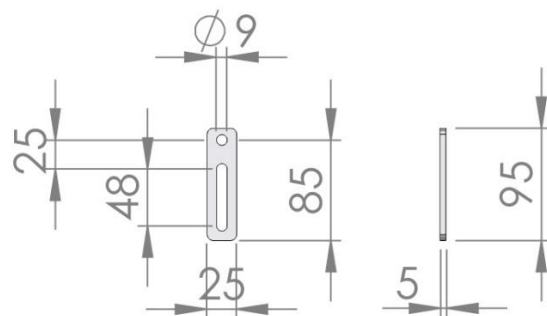
Material : Aluminum  
Packaging : 10 pieces

**Order Code: MGTB**



Material : Stainless steel  
Packaging : 10 pieces

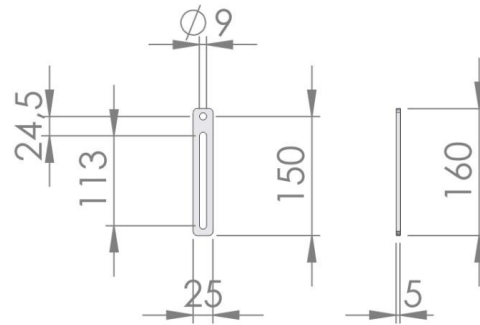
**Order Code: PSG95**





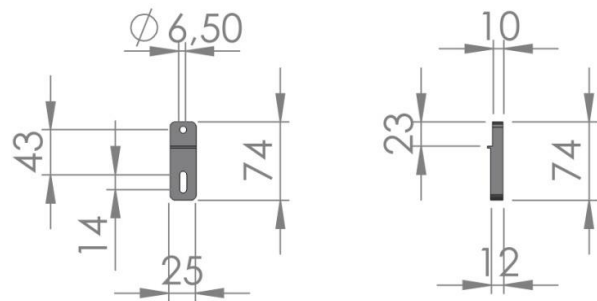
Material : Stainless steel  
Packaging : 10 pieces

**Order Code: PSG160**



Material : Polyamide  
Colour : Black  
Packaging : 10 pieces

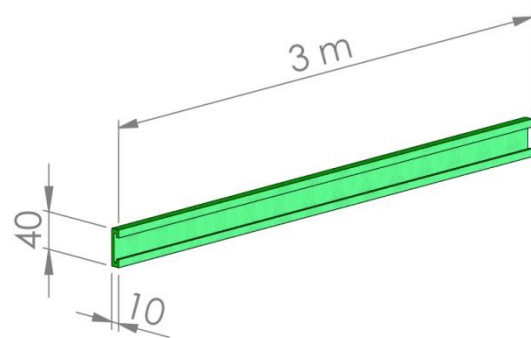
**Order Code: PSG10**



### Profiles

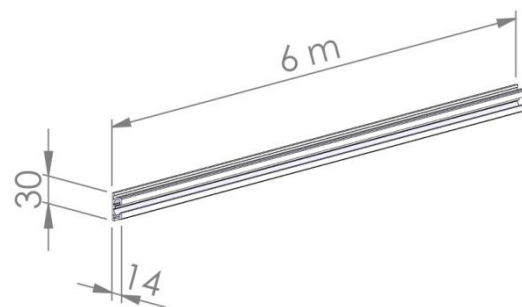
Material : Polyethylene  
Colour : Green  
Length : 3 m

**Order Code: GL40P**



Material : Anodized aluminum  
Length : 6 m

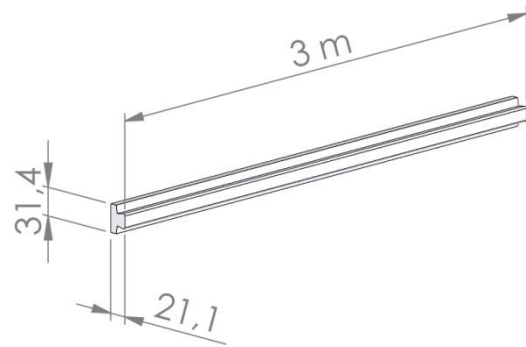
**Order Code: GL30A**





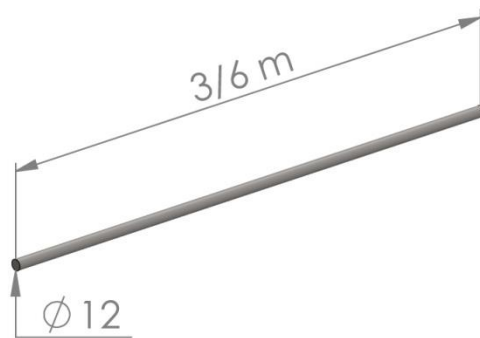
Material : Stainless steel and Polyamide  
Colour : White  
Length : 3 m

**Order Code: GL31SS**



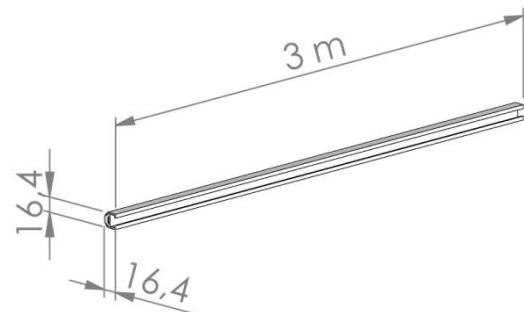
Material : Stainless steel  
Length : 3/6 m

**Order Code: GL12SS**



Material : Anodized aluminum and Polyamide  
Colour : White  
Length : 3 m

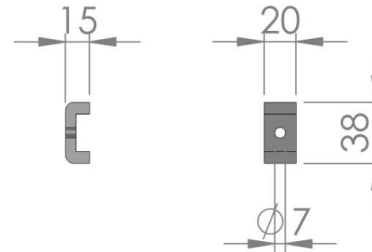
**Order Code: GL16A**





### Intermediate guide (GLP40) clamps

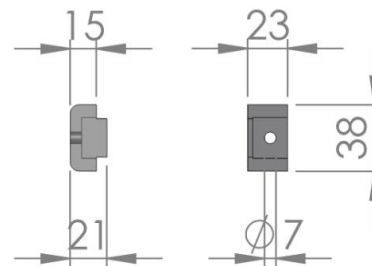
Material : Polyamide  
Colour : Black  
Packaging : 10 pieces with screws



**Order Code: MBPI**

### Guide (GLP40) clamp for curves

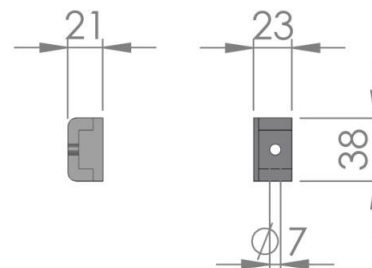
Material : Polyamide  
Colour : Black  
Packaging : 10 pieces with screws



**Order Code: MBPC**

### Terminal guide (GLP40) clamp

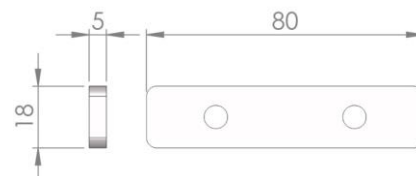
Material : Polyamide  
Colour : Black  
Packaging : 10 pieces with screws



**Order Code: MBPT**

### Guide joining plate

Material : Galvanized steel  
                  Stainless steel  
Packaging : 50 pieces with bolts



**Order Code: PG1**  
**Stainless Steel Version: PGX1**



## Conveyor support systems

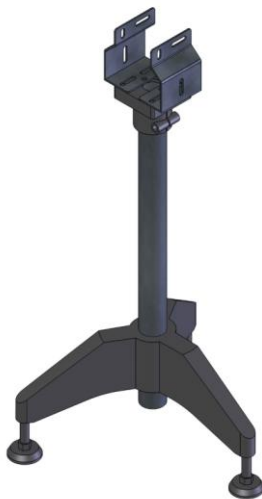
### F5 S1

F5S1 system support is composed of a polyamide base with 3 adjustable feet, with a stainless steel tubular at the top of it where are screwed in 2 brackets to support the conveyor channel. The channel is fastened directly on the brackets using the cavities or the holes on the side of the profile. The height of the conveyor can be adjust also with the regulation of the tubular.

Standard feet don't have the anti vibrations rubber, but they can be predispose with the holes to fix the conveyor to the ground. Both the models can be assemble with wheels.

The height of the conveyor chain plan can be adjust between a standard regulation of  $\pm 70$  mm.

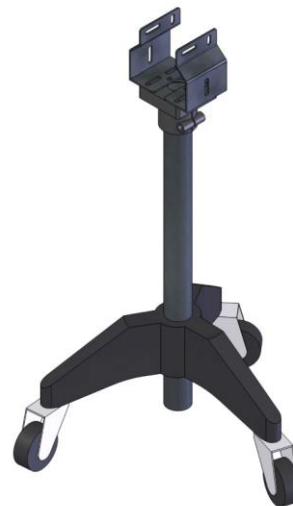
For the realization of support with a height not included in this standard range or with a wider regulation, please contact our Technical Department



#### Composition:

Stainless steel $\varnothing$ 48 mm tubular	
SFC10D	: 1 piece
SFC10S	: 1 piece
GF20	: 1 piece
GF50	: 1 piece
PSR60	: 3 pieces

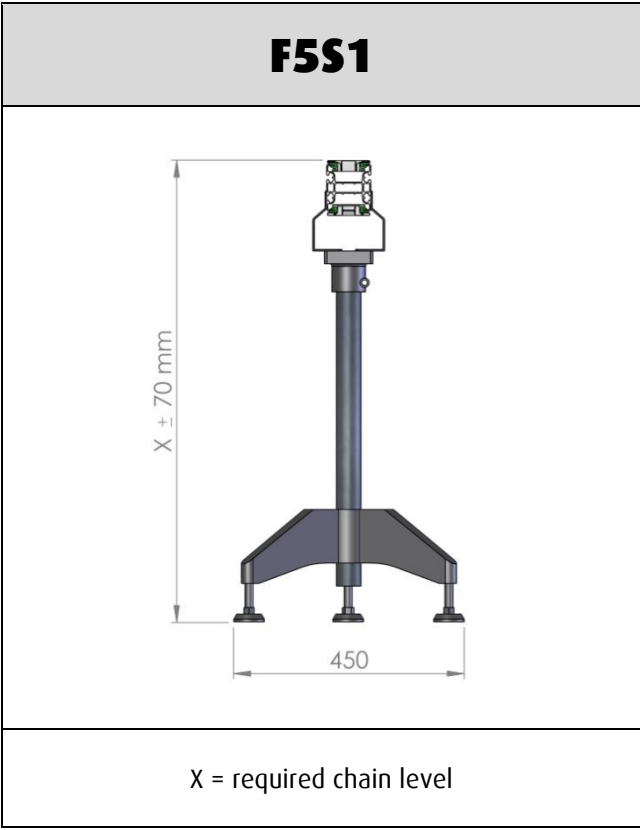
**Order Code: F5S1**



#### Composition:

Stainless steel $\varnothing$ 48 mm tubular	
SFC10D	: 1 piece
SFC10S	: 1 piece
GF20	: 1 piece
GF50	: 1 piece
RP80	: 3 pieces

**Order Code: F5S1R**





**F5S2D – F5S5D**

F5S2D and F5S5D systems support are composed of a two-legged frame built with a painted iron or stainless steel square tubular of two different dimensions:

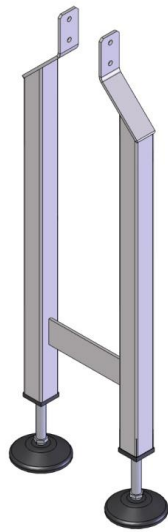
- 40x40 mm for F5S2D system
- 50x50 mm for F5S5D system

The feet at the base of the frame are in polyamide and are adjustable in height, with a maximum of  $\pm 50$  mm.

The 2 brackets for the support of the conveyor channel are welded directly on the frame. The channel is fastened on the brackets using the cavities or the holes on the side of the profile.

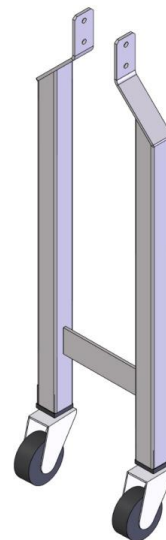
Standard feet don't have the anti vibrations rubber, but they can be predispose with the holes to fix the conveyor to the ground. Both the models can be assemble with wheels.

For the realization of support with a height not included in this standard range or with a wider regulation, please contact our Technical Department

**Composition:**

Square tubular frame 40x40 mm  
PSR100

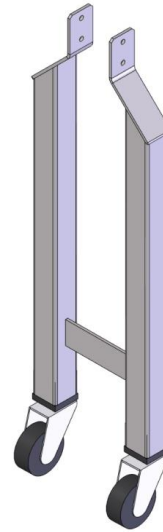
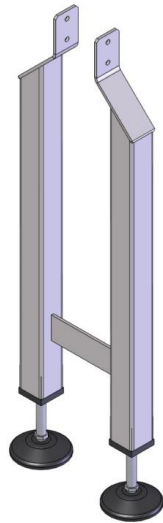
: 2 pieces

**Composition:**

Square tubular frame 40x40 mm  
RP80

: 2 pieces

**Order Code: F5S2D****Order Code: F5S2DR**



**Composition:**

Square tubular frame 50x50 mm  
PSR100 : 2 pieces

**Composition:**

Square tubular frame 50x50 mm  
RP80 : 2 pieces

**Order Code: F5S5D**

**Order Code: F5S5DR**

<b>F5S2D</b>	<b>F5S5D</b>
<p>X = required chain level</p>	<p>X = required chain level</p>



**F5S3**

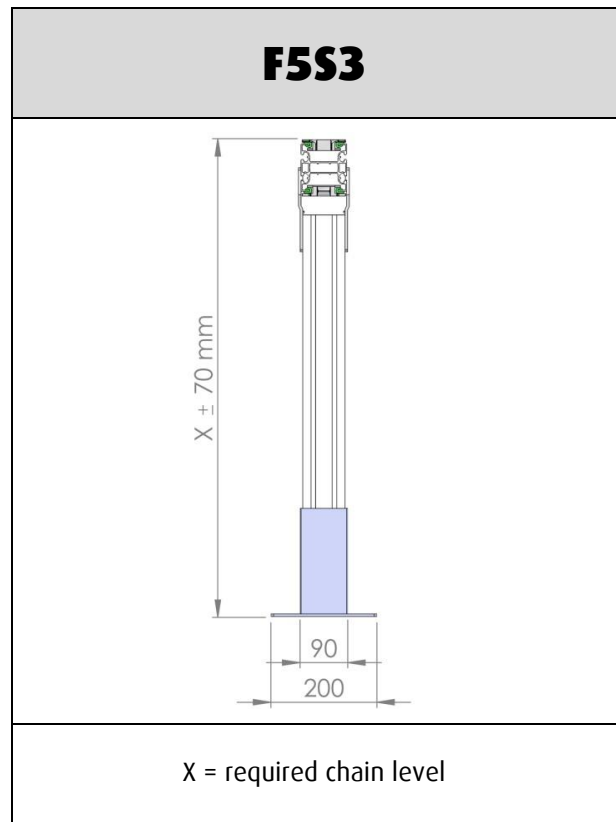
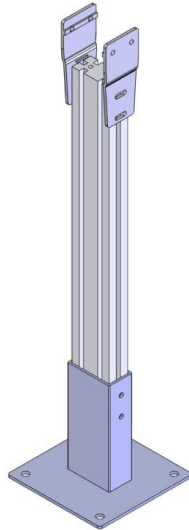
F5S3 system support is composed of a single-legged frame built with a anodized aluminum profile of different dimensions:

- 40x40 mm
- 80x40 mm
- 80x80 mm

The base of the frame is in galvanized steel and is adjustable in height, with a maximum of  $\pm 70$  mm.

The 2 brackets for the support of the conveyor channel are screwed directly on the frame, using the cavities on the profile.

The channel is fastened on the brackets using the cavities or the holes on the side of the profile. For the realization of support with a height not included in this standard range or with a wider regulation, please contact our Technical Department



**Composition:**

- Frame in aluminum profile SFC20 : 2 pieces
- BPSZ8040 : 1 piece

**Order Code: F5S3**



<b>HOW TO WRITE THE ORDER CODES FOR CONVEYOR SUPPORT SYSTEMS</b>	
<b>Description</b>	<b>Order Code</b>
Support type	F5S1 F5S1R F5S2D F5S2DR F5S3 F5S5D F5S5DR
Material (if available)	Stainless Steel: X
Chain plan height	H followed from the height measure of the chain plan in mm

Example:

S5D support in stainless steel with height 915 mm  
Cod: F5S5D-X-H915

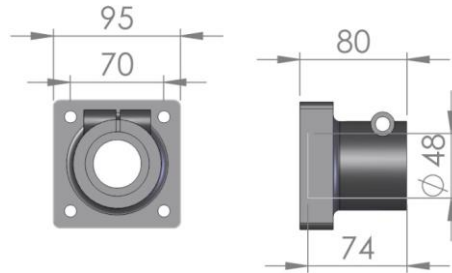


## Conveyor support accessories

### Accessory drive

Material : Polyamide  
 Colour : Black  
 Packaging : 10 pieces

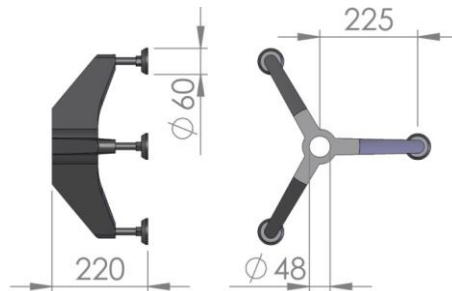
**Order Code: GF20**



### Support base with feet

Material : Reinforced polyamide  
 Colour : Black  
 Packaging : 8 pieces

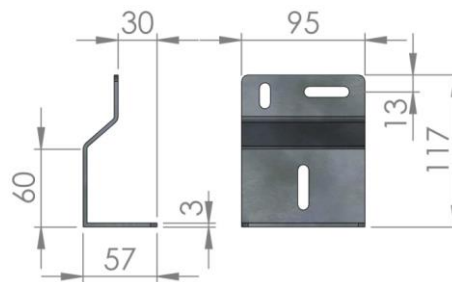
**Order Code: GF50**



### Channel fastening brackets

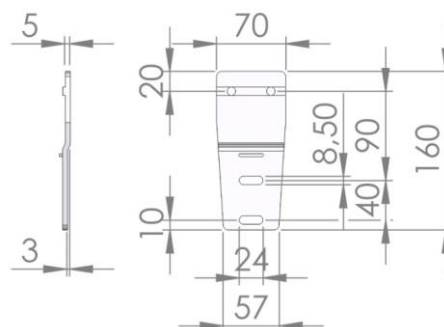
Material : Stainless steel  
 Packaging : 10 Pieces (5+5)

**Order Code: SFC10D/S**



Material : Sanded aluminum  
 Packaging : 10 Pieces

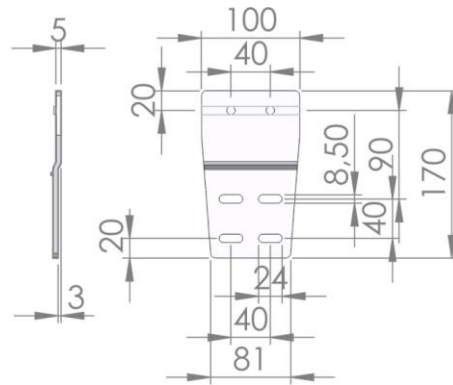
**Order Code: SFC20**





Material : Sanded aluminum  
Packaging : 10 Pieces

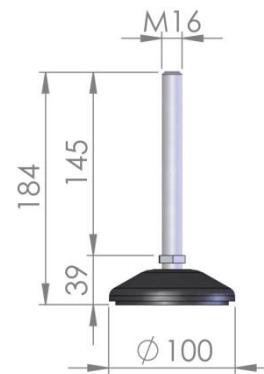
**Order Code: SFC30**



### Support feet

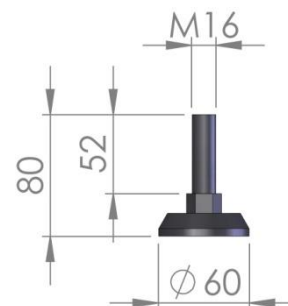
Material : Galvanized steel and Polyamide  
Colour : Black  
Packaging : 10 pieces

**Order Code: PSR100**



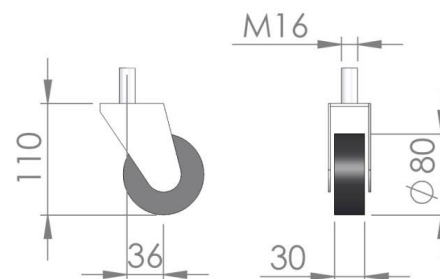
Material : Galvanized steel and Polyamide  
Colour : Black  
Packaging : 10 pieces

**Order Code: PSR60**



Material : Galvanized steel and rubber  
Packaging : 1 piece

**Order Code: RP80**

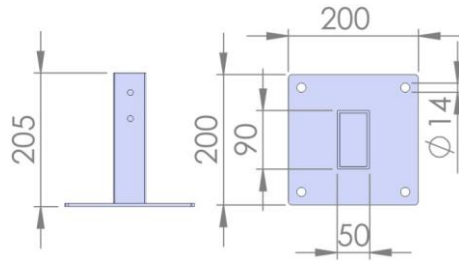




### Galvanized steel bases

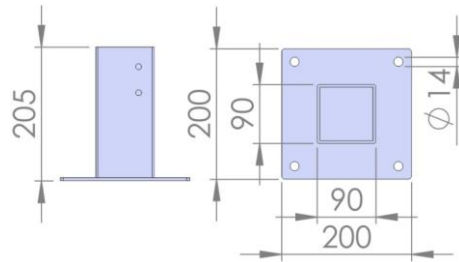
Material : Galvanized steel  
Length : 1 piece

**Order Code: BPSZ8040**



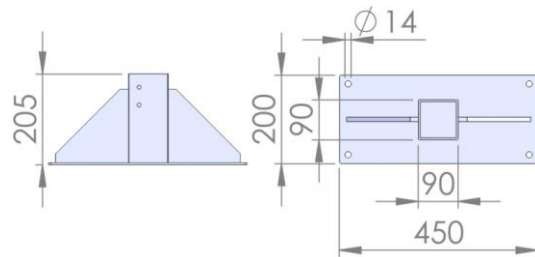
Material : Galvanized steel  
Length : 1 piece

**Order Code: BPSZ8080**



Material : Galvanized steel  
Length : 1 piece

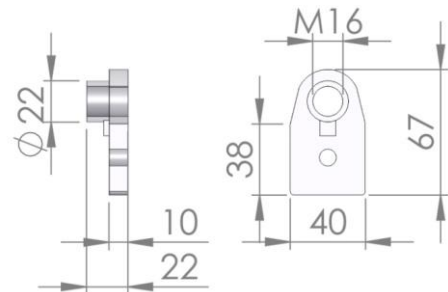
**Order Code: BPSZ8080L**



### Sanded aluminum bases

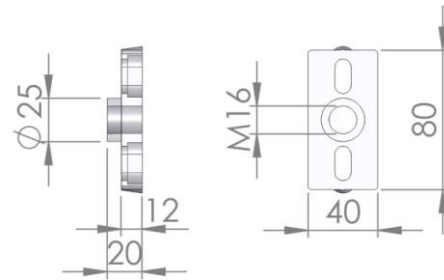
Material : Sanded aluminum  
Packaging : 10 Pieces

**Order Code: BPSA4040**



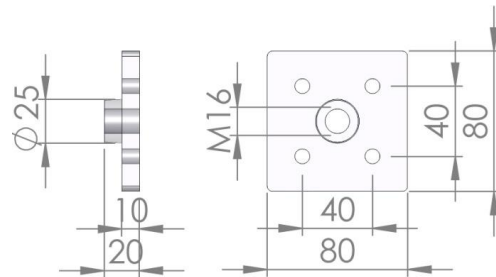


Material : Sanded aluminum  
Packaging : 10 Pieces



**Order Code: BPSA8040**

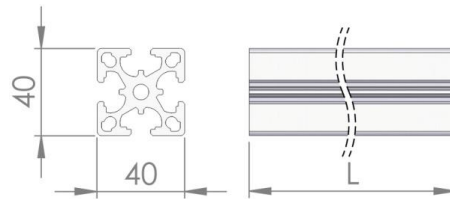
Material : Sanded aluminum  
Packaging : 10 Pieces



**Order Code: BPSA8080**

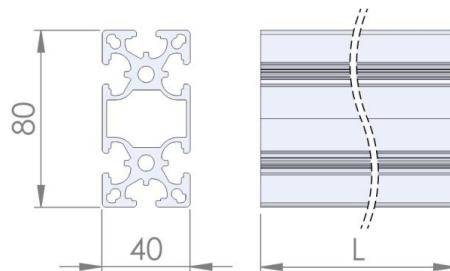
### Support profiles

Material : Anodized aluminum  
Length : 3÷6 meters in bars



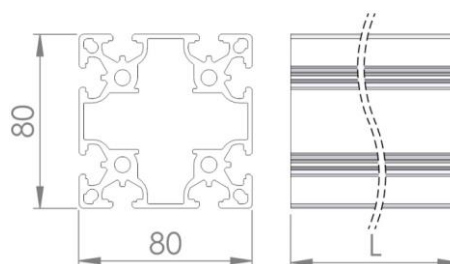
**Order Code: PS4040**

Material : Anodized aluminum  
Length : 3÷6 meters in bars



**Order Code: PS8040**

Material : Anodized aluminum  
Length : 3÷6 meters in bars



**Order Code: PS8080**

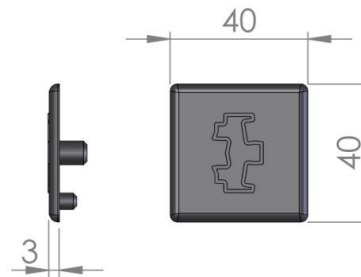




### Profile cap

Material : Polyamide  
Colour : Black  
Packaging : 10 pieces

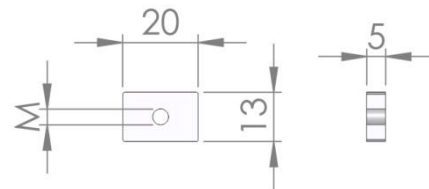
**Order Code: TC4040**



### Square nuts

Material : Galvanized steel  
                  Stainless steel  
Packaging : 100 pieces

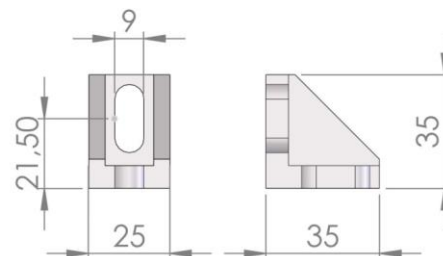
**Order Code: DRM4/5/6/8**



### Connecting angles

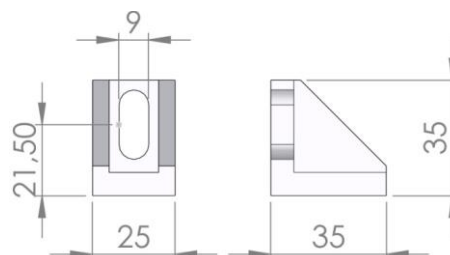
Material : Sanded aluminum  
Packaging : 10 Pieces

**Order Code: AC3525**



Material : Sanded aluminum  
Packaging : 10 Pieces

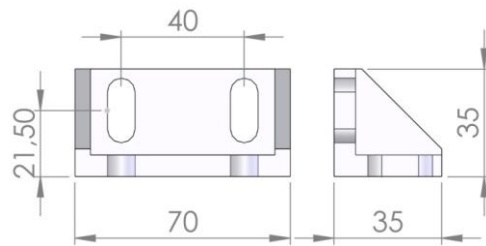
**Order Code: AC3525C**





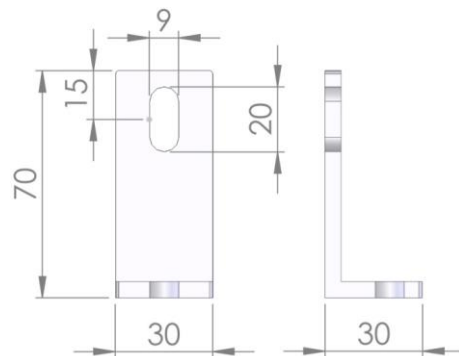
Material : Sanded aluminum  
Packaging : 10 Pieces

**Order Code: AC3570**



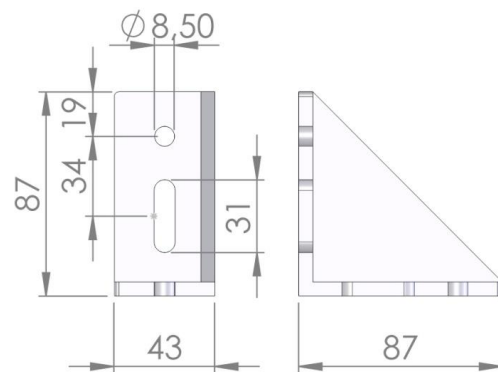
Material : Anodized aluminum  
Packaging : 10 Pieces

**Order Code: AC3070**



Material : Sanded aluminum  
Packaging : 10 Pieces

**Order Code: AC4387**

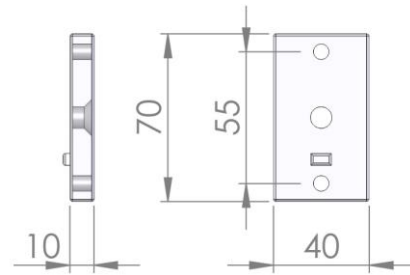




### Profile joining plate

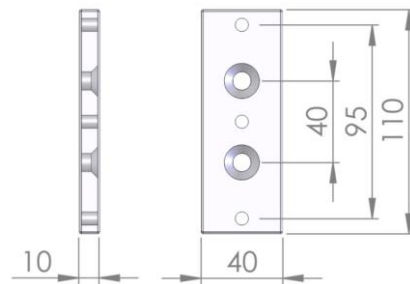
Material : Sanded aluminum  
Packaging : 10 Pieces

**Order Code: PG4040**



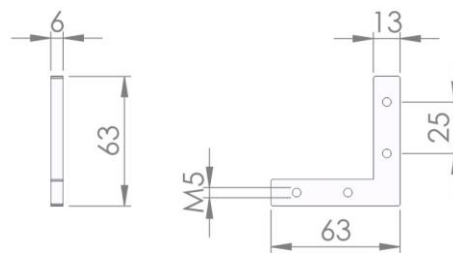
Material : Sanded aluminum  
Packaging : 10 Pieces

**Order Code: PG8040**



Material : Galvanized steel  
Packaging : 10 Pieces

**Order Code: PG630/45/60/90**



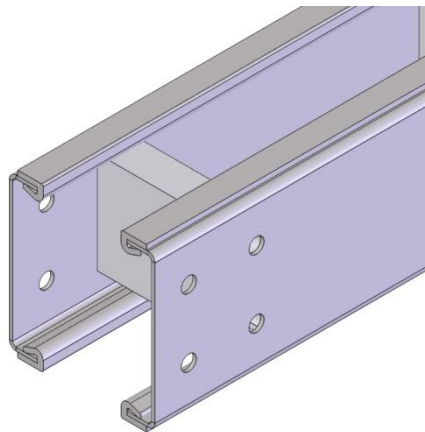


## Stainless Steel BAT F5

For lines in which the conveyor touches the naked product or where it is necessary that the conveyor channel not have slots or for specific requests, a version of BAT F5 made in stainless steel is available, complete with all the accessories.

Please specify the type of material required for the line when placing the order:

- the simple stainless steel line has a smooth side without slots made in steel sheet, but it still has aluminum spacers inside. The same is true for the curves, end drives and end returns, which all have standard components in aluminum in their interiors.  
This type of line is indicated as F5X
- the washable stainless steel line, instead, is made with stainless steel components created specifically for lines that must be washable. In addition to the smooth side without slots, the spacers inside are all made in round stainless steel bars. Even the slide curves (the disk curves contain components not exclusively made of aluminum), end motor drives and return ends are all made so that the conveyor can be washed completely.  
This type of line is indicated as F5W



### F5 Chain guide channel in stainless steel

Material : Stainless steel  
Length : 3 m

**Order Code: F5X  
F5W**

