



Summary

- Summary.....1
- BAT L5.2
- Technical Data.....3
- Actual lengths for BAT L5 tracks4
- Structure of standard BAT Conveyor.....5
- Fundamental characteristics of the chain guide channel.....6
- Chains.....10
- End motor drive16
- Central motor drive24
- Intermediate motor drive on chain return.....28
- How to write the order codes for motor drives.....32
- Motor drive in curve33
- Standard Returns36
- Accident protection devices on the end drives42
- Curves.....43
- Summarizing table of order codes for curves.....51
- Lateral guides52
- Lateral guides accessories.....58
- Conveyor support systems.....63
- How to write the order codes for conveyor support systems68
- Conveyor support accessories.....69
- Stainless steel BAT L5.....76



BAT is a modular system designed to make table-top chains conveyors suitable for several different industries.



Thanks to the vast range of components, the BAT system makes possible to produce any type of layout, adapting perfectly itself to fit the most complex situations.

BAT L5 is a conveyor system that allows to use different types of table-top chains in steel and plastic with a width of 82.5 mm.

BAT L5 is an Italian product that can offer flexible solutions to a wide range of needs in the product handling process.

BAT L5 was designed to be easy to use, both by plant and machine builders and by companies that need to handle products.

BAT L5 is a practical system, that allows to use a vast range of accessories and standard components available on the market.

BAT L5 interfaces easily with other systems and allows to reuse different elements of related components.



Technical Data*

■ **Product dimensions: 20÷500 mm**

The geometric shape of the product to be handled influences the maximum width of products accommodated by the system. The system can handle products that are up to 5-6 times the chain width, provided that the barycentre of the product is in his centre. In any case, it is better to run trials to find out whether support guides are needed.

■ **Maximum product weight: 30 Kg horizontal transport - 15 Kg vertical transport**

The maximum weight of the product transported is limited to the need to minimize wear and tear of slideways in horizontal transport and flight resistance in vertical transport.

■ **Maximum weight on the conveyor: 150÷300 Kg**

The maximum weight depends essentially on the motor drive's tow capacity, the maximum admissible workload of the chain and the conveyor belt layout.

■ **Maximum conveyor length: 20÷25 m**

The maximum length of the conveyor depends on the total load, the motor drive capacity, the speed and the conveyor layout.

It is important to calculate and compare the maximum chain tension and the motor drive capacity in the following situations:

- Heavy loads
- Accumulation
- Vertical conveyor
- High speed
- Long conveyor
- Conveyor with flat plane curves or vertical curves
- Frequency of starts and stops

■ **Maximum conveyor speed: 60÷70 m/min**

The maximum speed of the conveyor depends on the total load and the motor drive capacity.

■ **Noise level of the conveyor:**

Various factors contribute to making the conveyor noisy:

- Products on the conveyor
- Conveyor speed
- Installation site
- Layout and size of the conveyor

After an initial period of running, the noise from the chain diminishes.

A higher speed will produce more noise.

At high speeds, the wide radius plane curves are quieter than disk curves.










■ **Temperature range: from -40° C to +80° C**

* The data indicated above should be considered indicative of normal conveyor performance. For applications that have values outside of this range or have particular working conditions, please contact our technical office for a feasibility assessment.

Actual lengths for BAT L5 tracks

The following table shows actual layouts of the various components, rounded to the successive 5 mm, in order to determine the quantity of chain needed to make the belt.

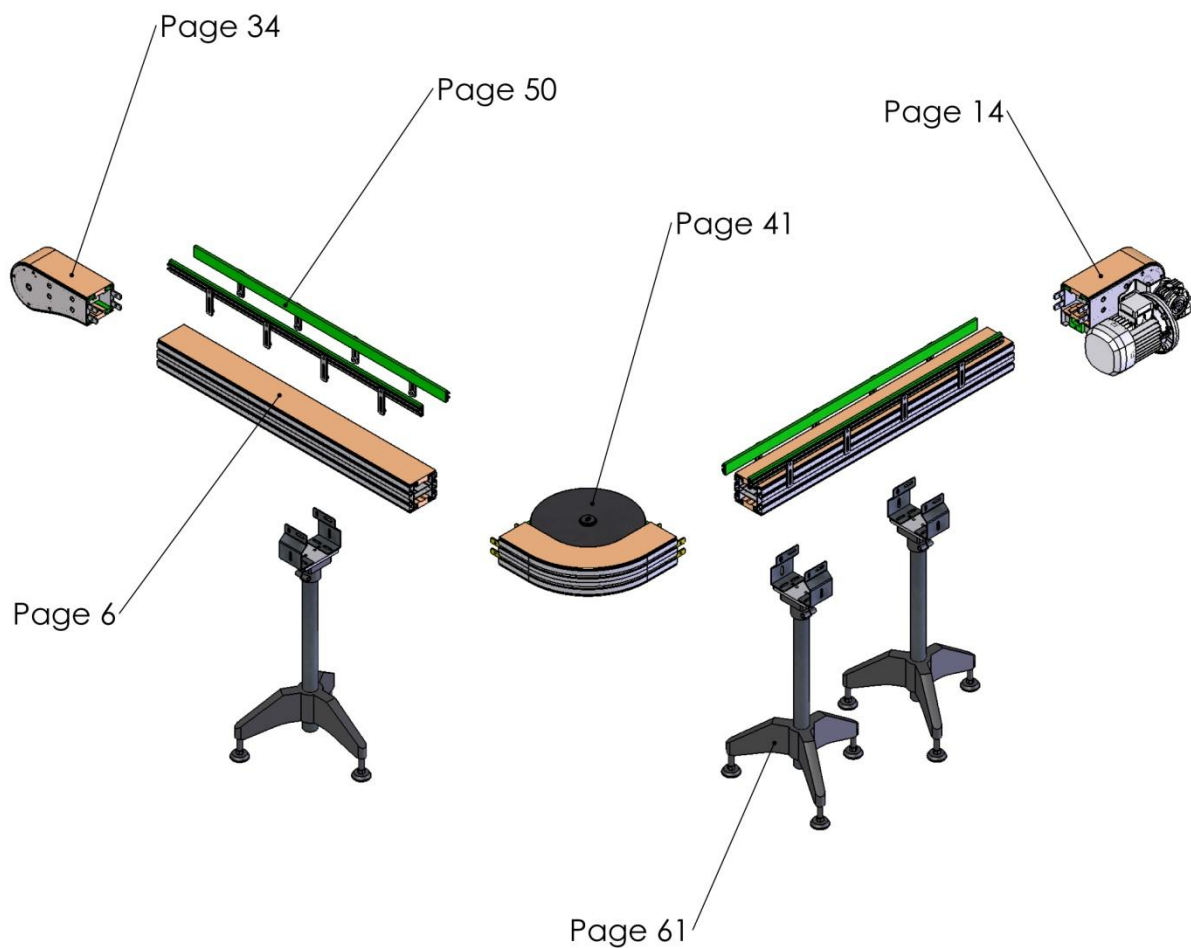
For some components, like the curves, the total materials needed are indicated as sums of the individual upper and lower tracks of the curves. Standard curves are made with a straight track of 130 mm on the two ends of the curve itself. The indicated lengths also include this length of track. Therefore, if the track calculation is done by measuring the average distances between curves, you must subtract 130 mm. Standard vertical curves included a 90 mm straight track instead. With tracks that do not have a return track, the track should be added only once. For the straight channel tracks, it is necessary to sum up the lengths of the various elements, doubling the quantity or not, depending on whether or not the return track is needed.

Description	Track length (mm)	Track layout
End drives L5MPD/S - L5MRD/S	765	
Central motor drive L5MCPD/S - L5MCRD/S	1175	
Intermediate motor drive on return chain L5MIPD/S - L5MIRD/S	upper track = 440 lower track = 1155	
Motor drive in curves L5MC90/180 - L5MCR90/180	90° track = 575 180° track = 890	
180° Long Return L5RL	725	
180 ° Short Return L5RC	370	
90° Return L5R90	615	
Flat curves Rm=200 mm L5CF ... - L5CS ...	30° track = 365+365 45° track = 420+420 60° track = 470+470 90° track = 575+575 180° track = 890+890	
Vertical curves Rm=400 mm L5CV ...	30° track = 390+390 40° track = 460+460 60° track = 600+600 90° track = 810+810	

Structure of standard BAT Conveyor

A single BAT conveyor is made up of number of modular blocks that allows to create any type of layout. This catalogue contains the descriptions of all standard modules:

- Straight channels (from page 6)
- Motor drives (from page 14)
- Return ends (from page 34)
- Curves (from page 41)
- Lateral guides (from page 50)
- Ground supports (from page 61)

**NOTE:**

The drawings in this catalogues can be subject to graphical simplifications and therefore may not represent the actual final look of the product. If real drawings of components are necessary to assess space requirements, please contact our Technical Office for more information.

Fundamental characteristics of the chain guide channel

There are two types of chain guide channels. The first is more frequently used: a chain guide channel used for conveyors with double chain paths (forward and return).

The second is a chain guide channel used for building conveyor systems in which there is no chain return, such as in accumulation systems or spiral elevators. In these cases, it is possible to use a specific chain guide channel called SLIM (simple) with reduced height, exactly half of the standard profile. Along with the profile, all of the necessary elements were built, in particular for making the curves.

The standard chain guide channel is made with an extruded profile of natural coloured anodized aluminum (12-15 Microns thick).

The chain slideways are made in polyethylene with high molecular weight.

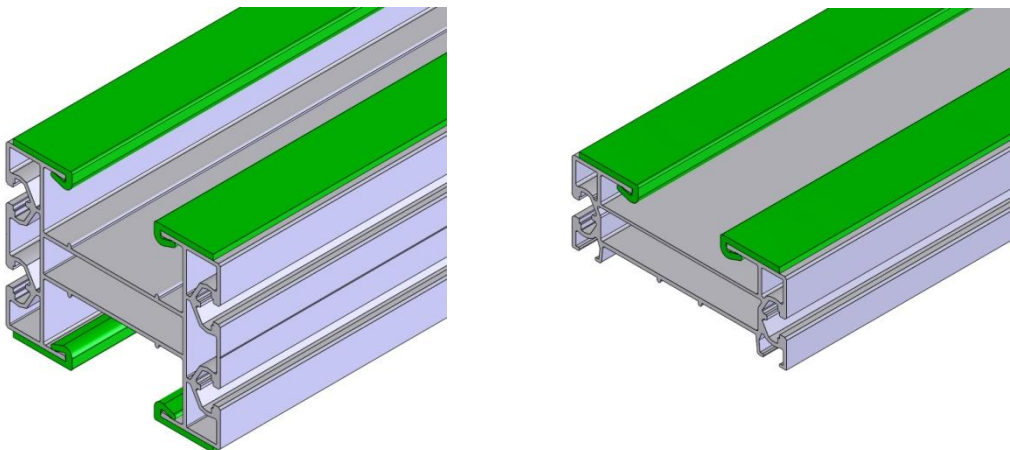
Guides are mounted by snapping, using the particular shape of the extruded aluminum profile. Then the slideway profile must be fastened with countersunk M4 screws.

Channels can be connected together with 4 plates (2 for the SLIM version) with blocking screws inserted in the external cavities of the profile.

The side hollows of the profile were designed to allow mounting of a large number of supports for the product guides and accessories like photocells, channels for collecting debris, and other elements.

The particular geometry of the slot (patented) also allows the use of standard nuts and bolts found on the market.

The grooves can be closed for aesthetic or hygienic reasons with a plastic profile that can be snapped in place.



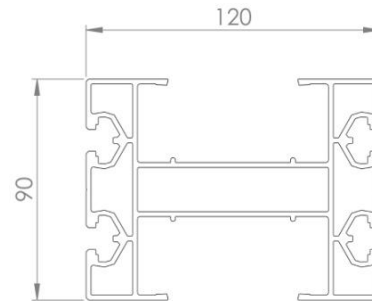


L5 chain guide channel

for double tracks (forward and return)

Material : Anodized aluminum
Length : 6 m

Order Code: L5 R 7199

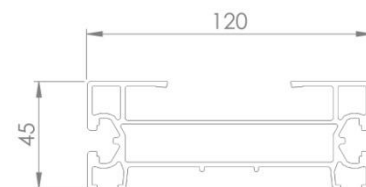


L5 Chain guide channel Slim

for simple tracks (only forward or only return paths)

Material : Anodized aluminum
Length : 6 m

Order Code: L5 R 11532

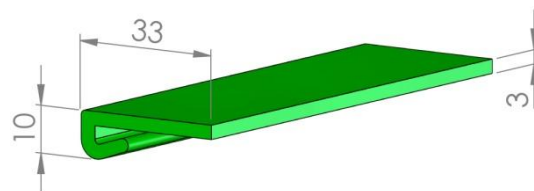


NOTE:

Channels are sold in bars of 6 meters. Custom cut pieces of channels can be ordered on request. In this case, the price will be calculated by estimating the length to the next half meter and applying a surcharge for each cut made (please consult the price list for details).

Aluminum chain channel slideway

Material : Polyethylene
Colour : Green
Packaging : 3 m

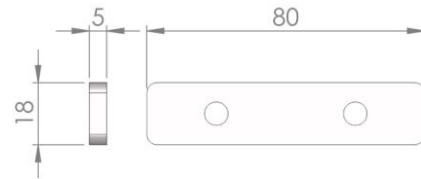


Order Code: GS2



Channel joining plate

Material : Galvanized steel
Stainless steel
Packaging : 50 pieces with bolts



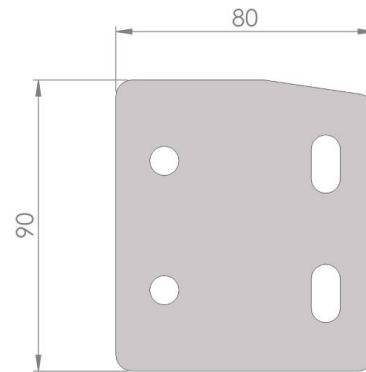
Order Code: PG1
Stainless Steel Version: PGX1

L5 Joining plate

to change the slope on the double channel

Material : Galvanized steel
Packaging : 2 pieces with screws

These joining plates are used to join channels with a maximum slant of 11°.



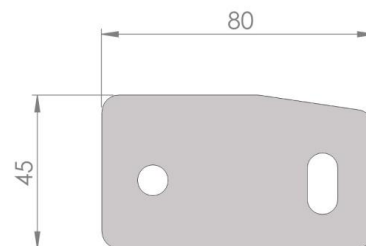
Order Code: PG4

L5 Slim Joining plate

to change the slope on the simple channel

Material : Galvanized steel
Packaging : 2 pieces with screws

These joining plates are used to join channels with a maximum slant of 11°, in particular in the various transport and/or vertical accumulation system.



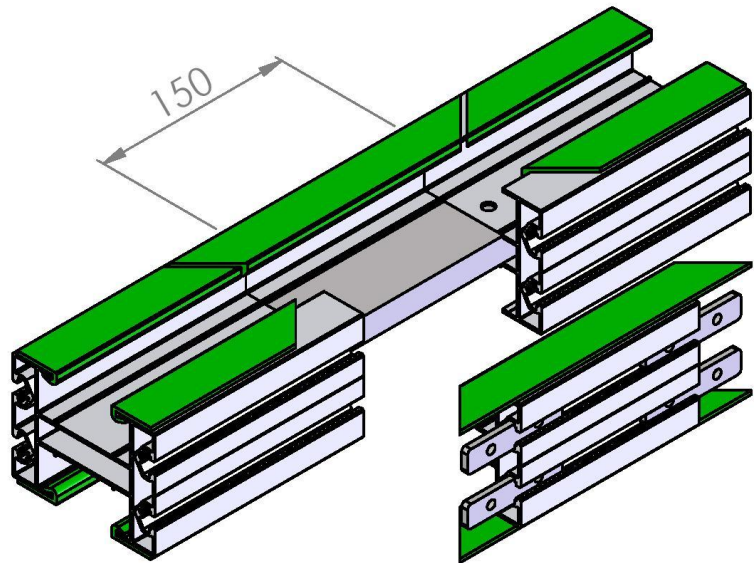
Order Code: PG3

Inspection zone

To facilitate the disassembly of the chain, it's possible to predispose a piece of channel divided in 2: in this way it allows an easy access to the chain junction.

This group is called inspection zone and normally is positioned near to the return end, where the chain stress is minimum.

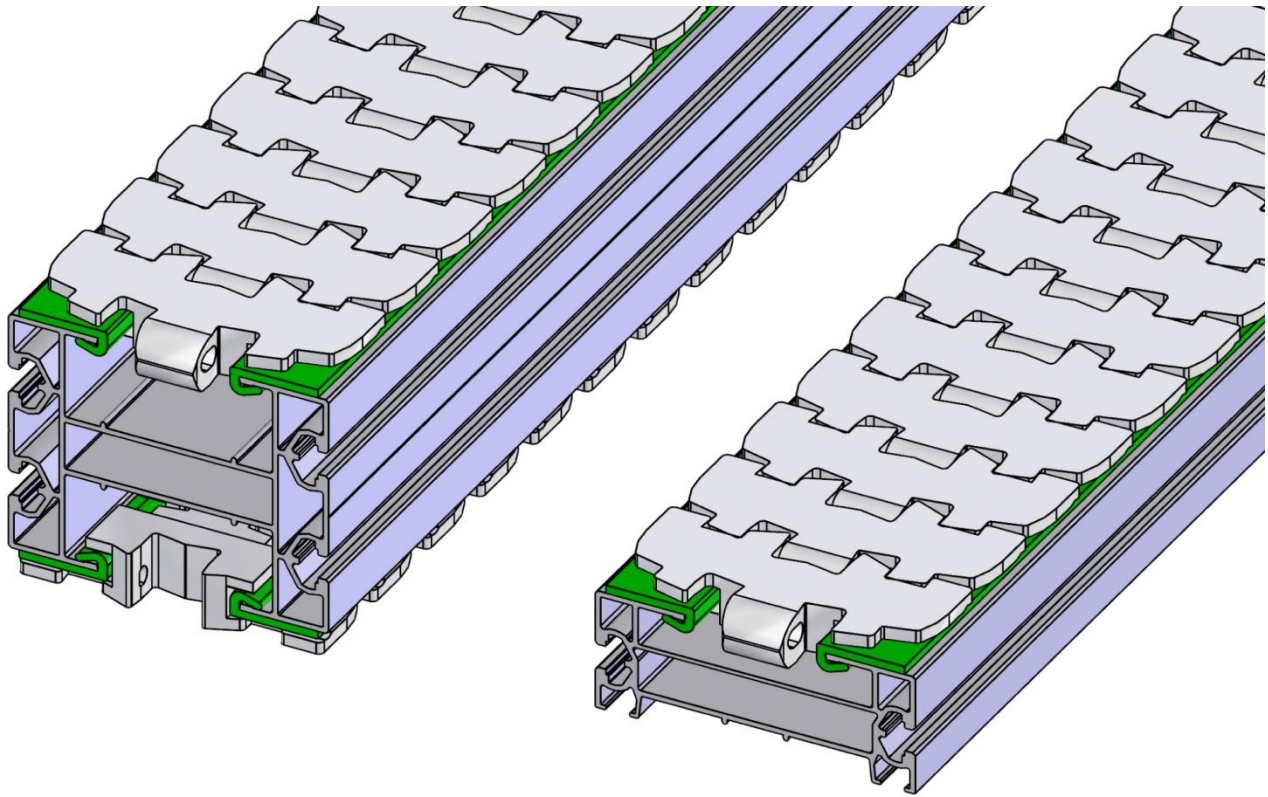
Is enough to loosen the bolts and scroll the joining plates (only on one side of the inspection zone) to release one piece of lateral side and to access to the chain.



Channel section for disassembly, inspection and clearing of the chain and of the conveyor. Including joining plates and bolts.

Order Code: L5 SI

Chains



Typical Applications



PLASTIC AND
GLASS BOTTLES



DOYPACK TYPE SACKS



PACKAGED CHEESES



PHARMACEUTICAL FLACONS



TINS, CANS, AND JARS



MECHANICAL ELEMENTS
AND ELECTRICAL PARTS



BAGS FOR BISCUITS
AND BAKED PRODUCTS



PRODUCTS IN PLASTIC
BLISTER PACKS



PACKAGES FOR RICE, COFFEE
AND VACUUM-PACKED PRODUCTS



PRODUCTS ON PALLET



Standard chain

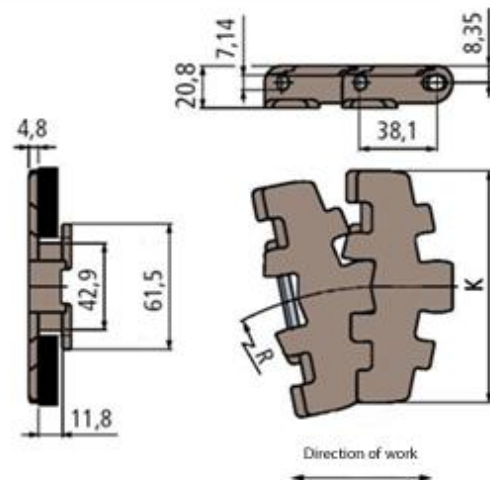
The BAT L5 chain is made in acetalic resin and teflon to improve its mechanical characteristics and guarantee a maximum lifetime under heavy conditions (heavy products, long transport paths, high speeds).

The low friction coefficient guarantees lower chain tension on the drive shaft and greatly reduces the pulses of the conveyor at low speeds.

The chain is designed to work in both directions indifferently. It is suitable for transporting foods and FDA approved.

The standard chain can be built also in AS conductive resin (anti-static), polypropylene (resistant to chemicals), or WRB resin (wear resistant).

In case of order for these materials, please contact our Sales Department to know the delivery times and minimum quantities.



Design

Colour : White, Brown

Specifications

Weight : 1.2 Kg/m

Minimum curve radius : 200 mm

Materials

Chain : Acetalic resin and Teflon

Pin : Stainless steel

Supply length

3.05 meters per package

Optional materials

AS Conductive Resin (Anti-static)

Polypropylene PP (Resistant to chemicals)

WRB Resin (Wear resistant)

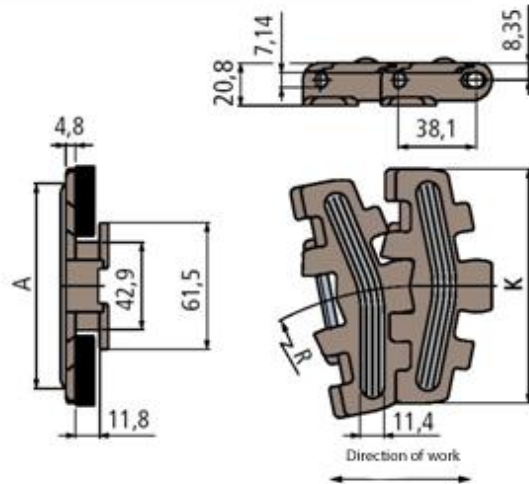
Order Code: BAT LF K 450
For White version: BAT WLF K 450



Chain in resin with no-slip inserts

The BAT HFP L5 chain made in acetalic resin and teflon has the same basic characteristics as the LF. A non-slip rubber insert is injection moulded into the chain that allows transport with slants up to 25°. The rubber in the non-slip inserts has a standard hardness of 60 Shore A. On request, hardnesses of 45 / 90 Shore A are available.

The chain is designed to work in both directions indifferently.



Design

Colour : Brown
Insert colour : Light grey

Specifications

Weight : 1.2 Kg/m
Minimum curve radius : 200 mm

Materials

Chain : Acetalic resin and Teflon
Non-slip insert : Rubber
Pin : Stainless steel

Supply length

3.05 meters per package

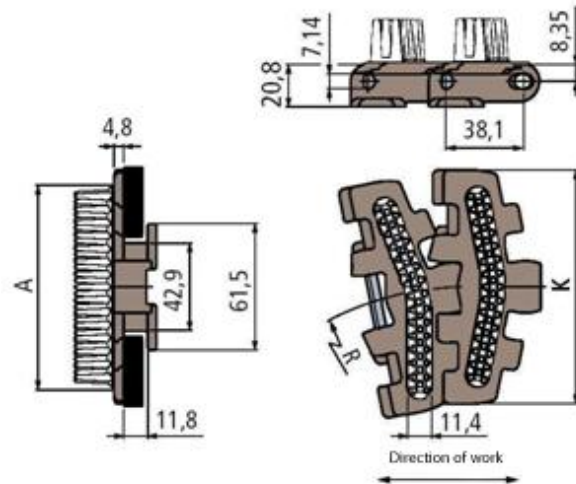
Insert hardness options

45 Shore A
90 Shore A

Order Code: BAT HFP K 450

Chain in resin with flexible flights

The BAT GB L5 chain made in acetalic resin and teflon has the same basic characteristics as the LF. An elastic rubber flight is injection moulded into the chain that allows vertical transport on elevators-lowerators. The rubber of the flights has a standard hardness of 90 Shore A. On request, a hardness of 60 Shore A is available.



Design

Colour : Brown
 Flight colour : Dark grey

Specifications

Weight : 0.83 Kg/m
 Minimum curve radius : 200 mm

Materials

Chain : Acetalic resin and Teflon
 Flights : Elastic rubber
 Pin : Stainless steel

Supply length

3.05 meters per package

Flight hardness options

60 Shore A

Order Code: BAT GB K 450

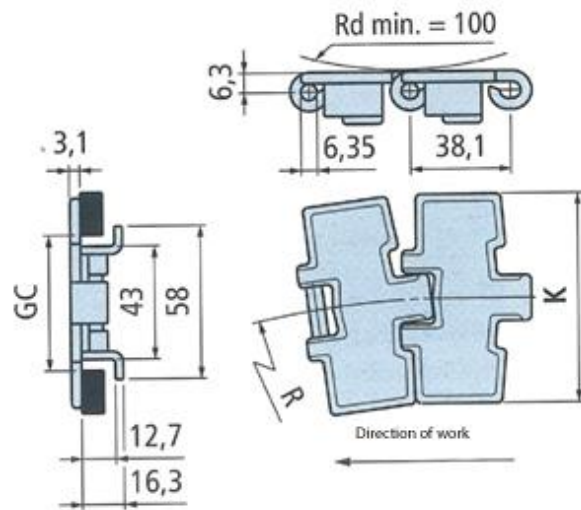


Chain in stainless steel

The BAT SS L5 chain is made in stainless steel. Its use is advised for particular environmental conditions, which include the presence of metal or glass debris that could cause a resin chain to wear out very quickly, or aggressive chemicals not tolerated by the chain material, or working temperatures over 90°C.

Unlike resin chains, steel chains usually require minimal lubrication.

The chain is designed to work in only one direction.



Specifications

- Weight : 3.2 Kg/m
- Minimum curve radius : 500 mm
- Temperature range : from -70° C to +430° C

Materials

- Chain : Stainless steel
- Pin : Stainless steel

Supply length

3.05 meters per package

Order Code: BAT SS K 450

NOTE:

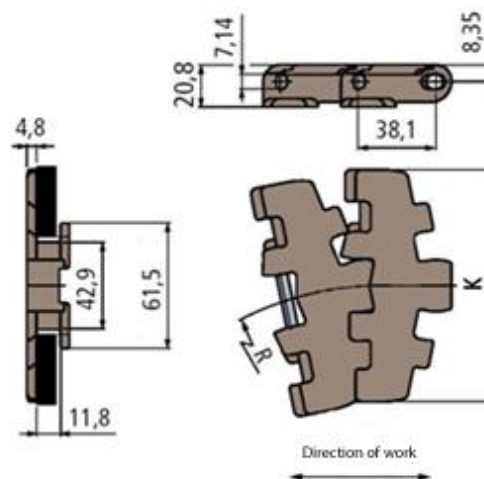
The BAT SS K 450 chain cannot be used with the end motor drive on a curve.



Chain in High Performance resin

The BAT HFP L5 chain made in resin has the same basic characteristics as the LF. HP resin gives the links the lowest friction coefficient of all chains in thermoplastic resin. This feature ensures a longer operative lifetime, less chain lengthening due to wear, less pressure between products on the conveyor and less power needed for return traction.

The chain is designed to work in both directions indifferently.



Design

Colour : Brown, White

Specifications

Weight : 1.2 Kg/m
Minimum curve radius : 200 mm

Materials

Chain : Resin
Pin : Stainless steel

Supply length

3.05 meters per package

Order Code: BAT HP K 450

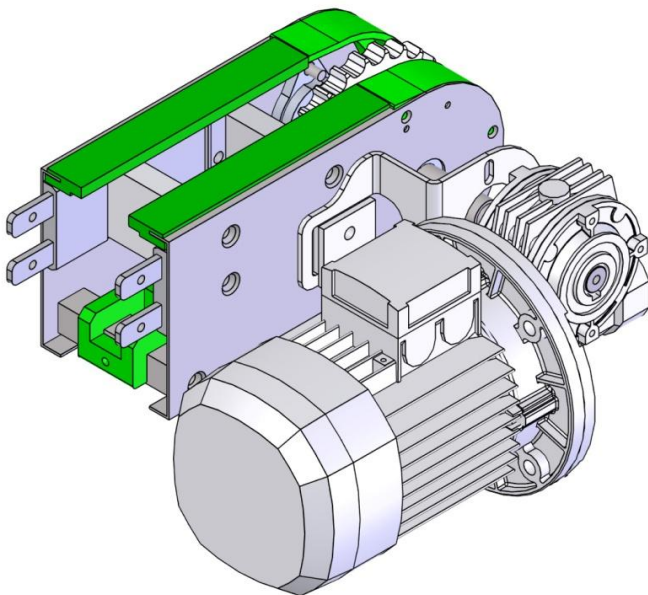


End motor drive

The end drive is the most used to make conveyors of any shape with forward and backward paths. The most natural configuration for a conveyor belt is with the motor drive "pulling" the chain.

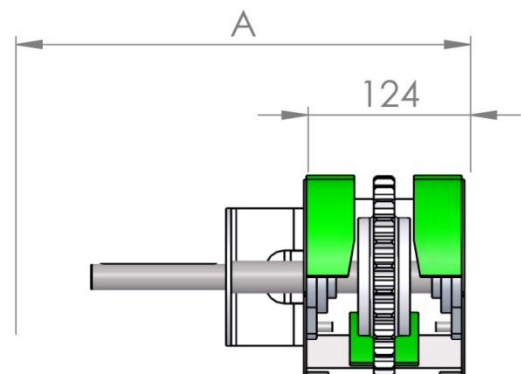
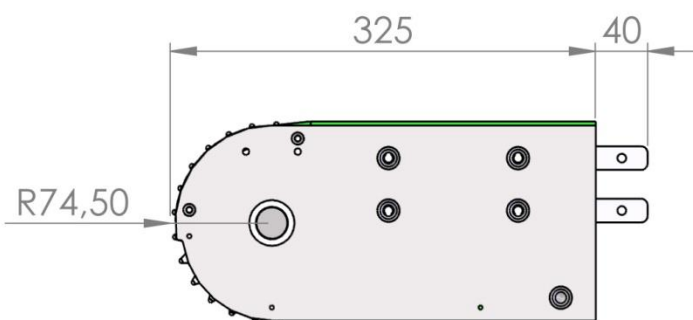
Suspended end motor drive

The unit is mounted on the side of the motor, and is directly connected to the chain drive sprocket.

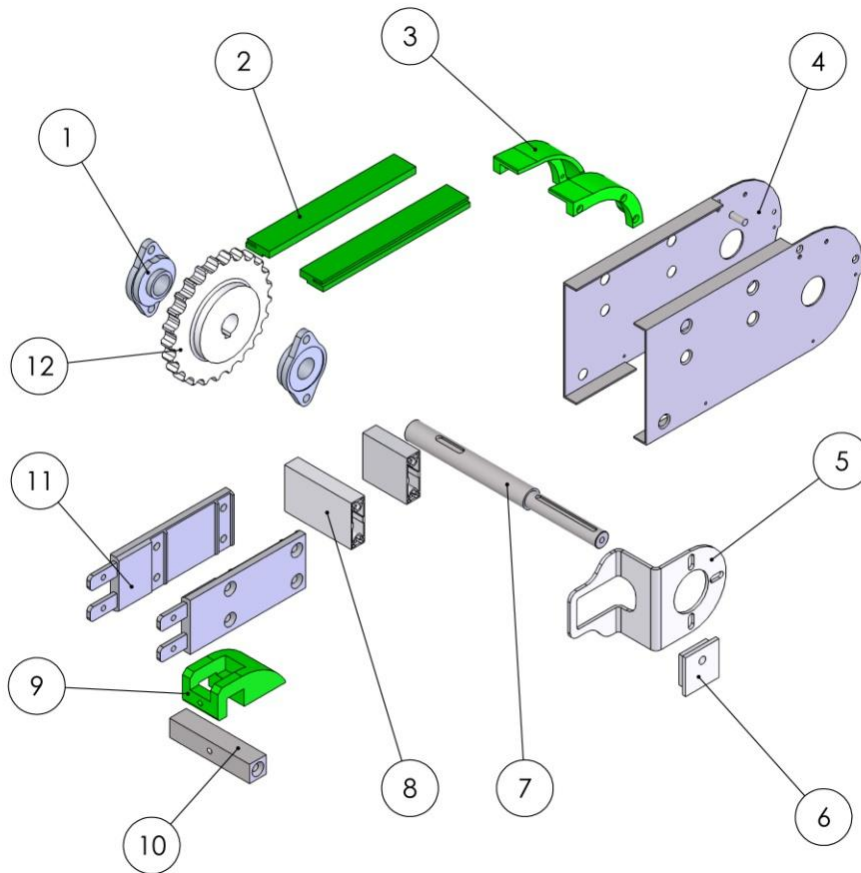


Technical specifications:

Standard motor	: Triphase 220/380 V
N° teeth drive sprocket with chain in resin	: Z 12 Dp. 147 mm
N° teeth drive sprocket with chain in steel	: Z 25 Dp. 153 mm
Standard speed at 50 Hz (m/min)	: 6.5, 14, 23, 35.5, 64



A = Volume depending to the motor gear type



Article Number	Description	Article Code
1	SUPPORT IN ALLOY DIAMETER 25	UFL005
2	CHAIN SLIDEWAY	L5PC220
3	LEFT/RIGHT UNDERCHAIN SLIDE	F5TM35D F5TM35S
4	LEFT/RIGHT MOTOR DRIVE PLATE	F5TM26 F5TM27
5	REACTION LEVER	*
6	SAFETY PROTECTION FOR MOTORISED SHAFT	F5TM31
7	DRIVE SHAFT	*
8	INTERNAL SPACER	L5MP03
9	SLIDE HOLDER SPACER ON RETURN END	L5MP04
10	POLYETHYLENE SLIDE	14343
11	CAST ALUMINIUM MOTOR PLATE	F5PG14
12	DRIVE WHEEL	**

* Depends on the motor type

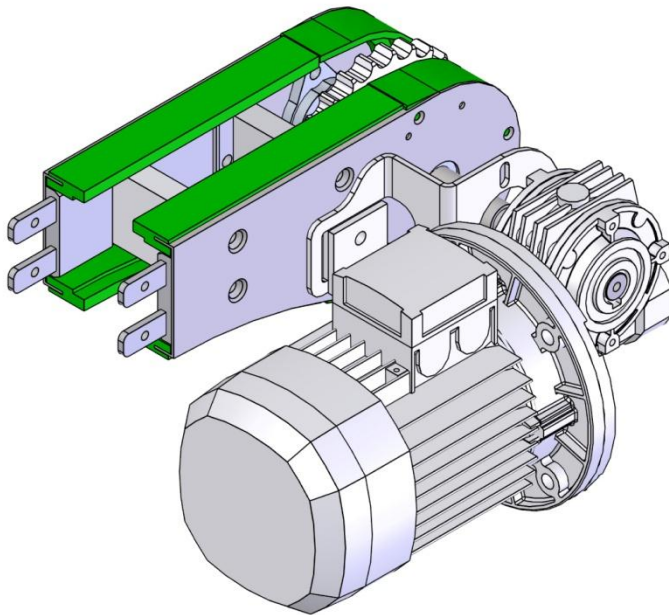
** Depends on the chain type

The parts indicated are not sold separately unless they are present in this catalogue in the designated section.



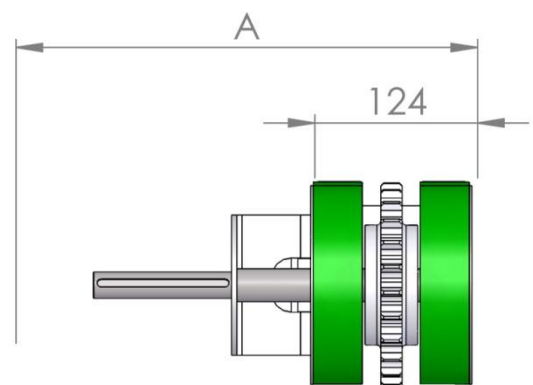
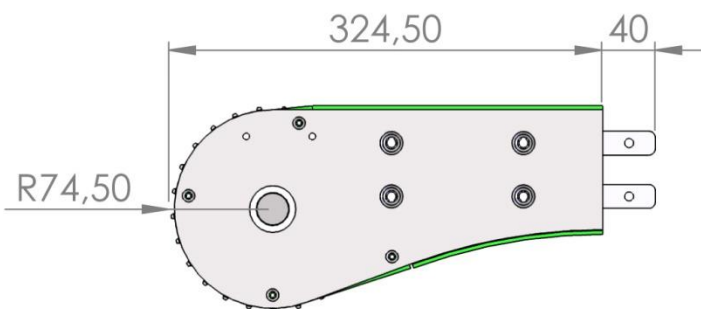
Suspended end motor drive with guided chain

The unit is mounted on the side of the motor and is directly connected to the chain drive sprocket. This type of head can be used for applications with transporters of limited lengths or that run at high speeds. If combined with a tensioned return head (contact the technical office for this special execution) it can "push" the conveyor.

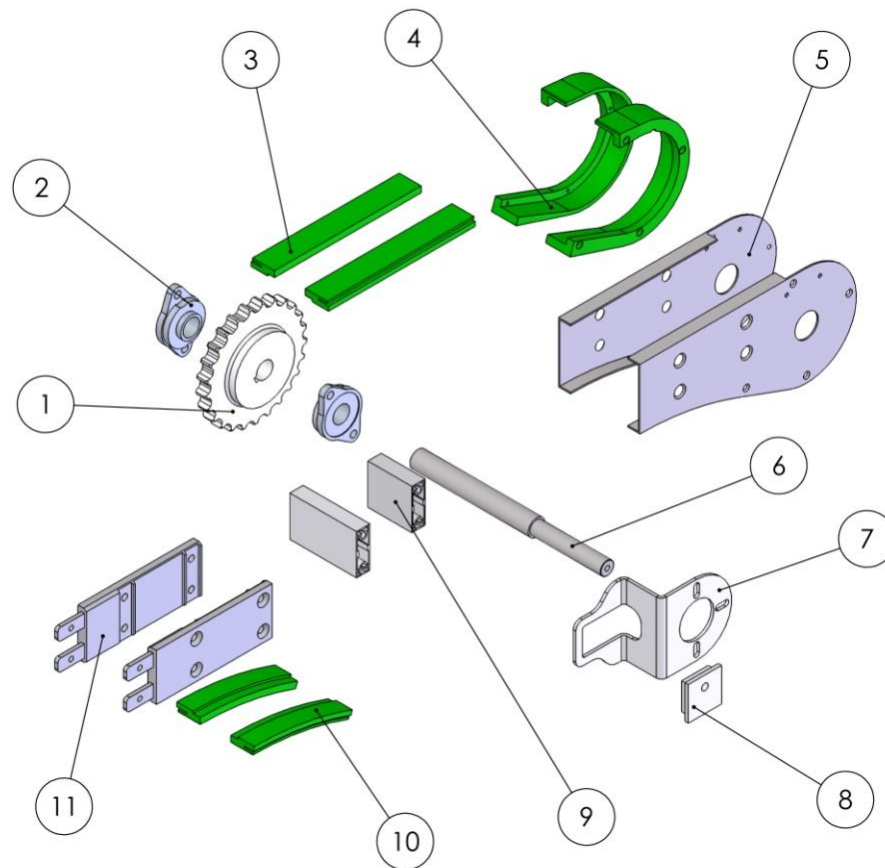


Technical specifications:

Standard motor	: Triphase 220/380 V
N° teeth drive sprocket with chain in resin	: Z 12 Dp. 147 mm
N° teeth drive sprocket with chain in steel	: Z 25 Dp. 153 mm
Standard speed at 50 Hz (m/min)	: 6.5, 14, 23, 35.5, 64



A = Volume depending to the motor gear type



Article number	Description	Article Code
1	DRIVE WHEEL	**
2	SUPPORT IN ALLOY DIAMETER 25	UFL005
3	CHAIN SLIDEWAY	L5PC220
4	LEFT/RIGHT UNDERCHAIN SLIDE	L5TR06D L5TR06S
5	LEFT/RIGHT PLATE FOR 180° RETURN END WITH HOLE DIAM 35 mm.	F5TRMD F5TRMS
6	DRIVE SHAFT	*
7	REACTION LEVER	*
8	PIN FOR REACTION ARM	F5TM06
9	INTERNAL SPACER	L5MP03
10	CHAIN SLIDEWAY	L5PC145
11	CAST ALUMINIUM MOTOR PLATE	F5PG14

* Depends on the motor type

** Depends on the chain type

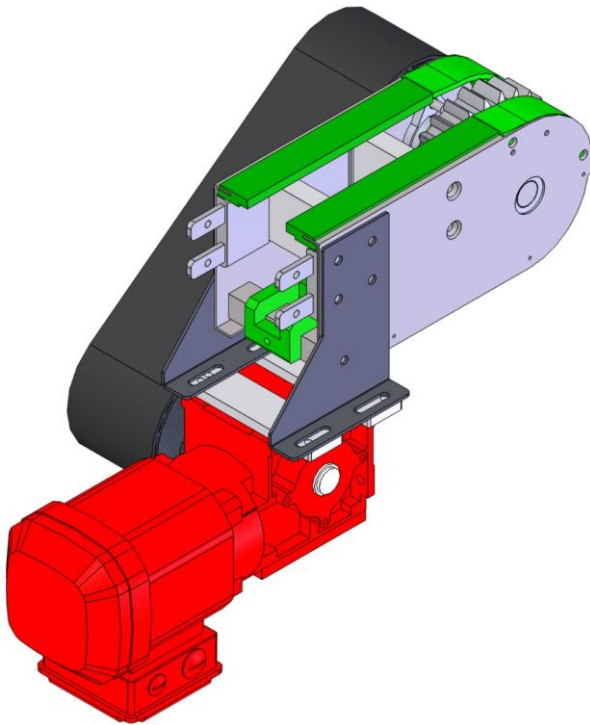
The parts indicated are not sold separately unless they are present in this catalogue in the designated section.



Transferred end motor drive

The transferred drive kit allows to move the position of the gear motor with respect to the axis of the drive sprocket. These are commonly used when it is necessary to reduce the space occupied by the end motor drive unit.

Transmission chain tension is regulated by using the available space in the slots on the support plate of the motor unit. The transmission has a suitable safety protection which must always be in its place when the conveyor is moving.



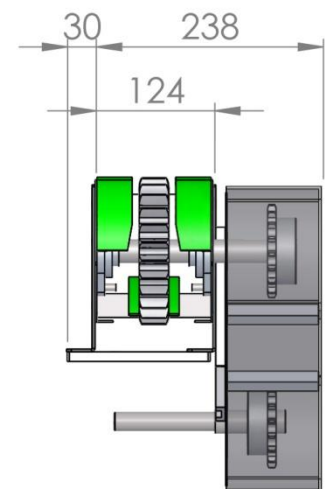
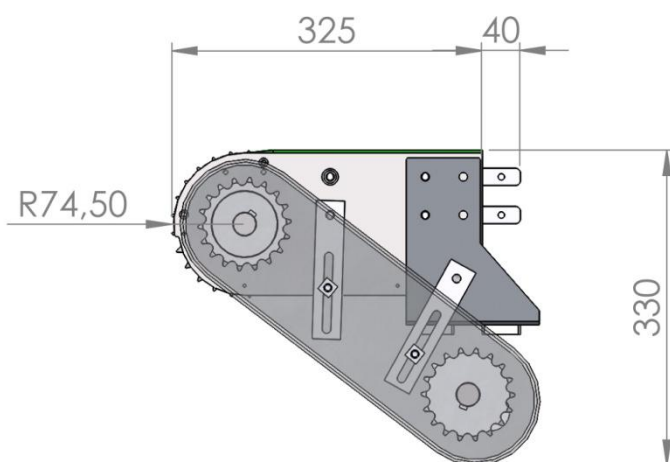
Technical specifications:

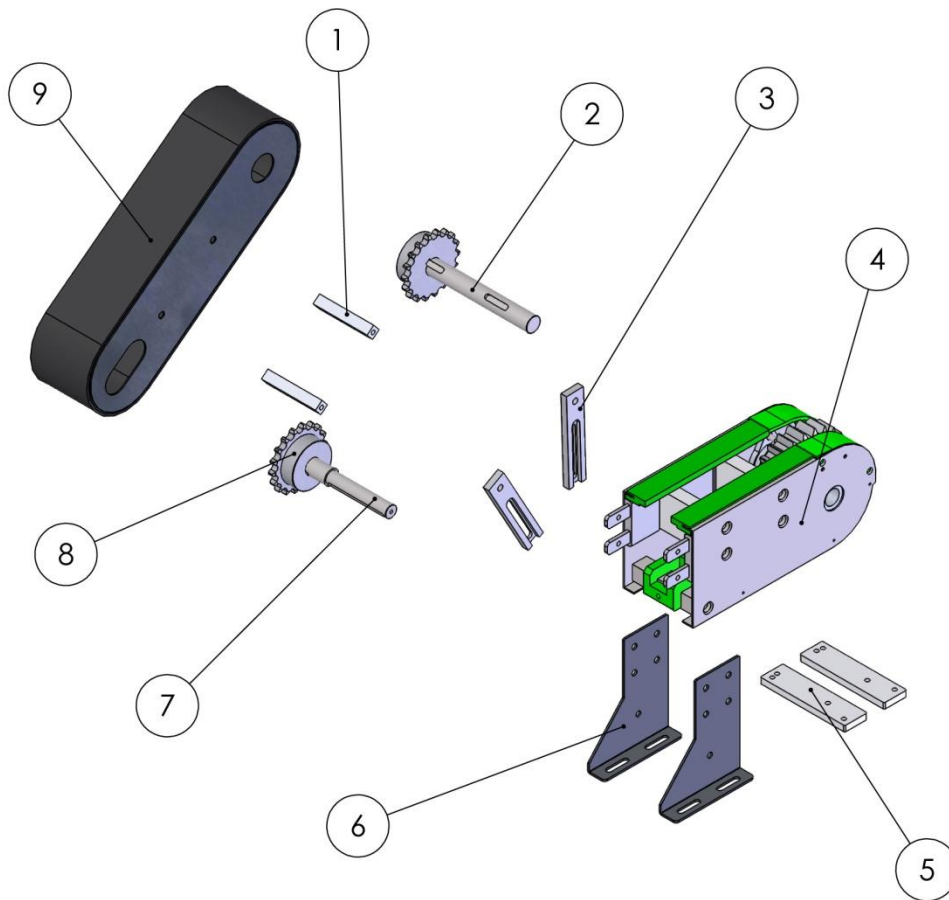
Standard motor : Triphase 220/380 V

N° teeth drive sprocket with chain in resin : Z 12 Dp. 147 mm

N° teeth drive sprocket with chain in steel : Z 25 Dp. 153 mm

Standard speed at 50 Hz (m/min) : 6.5, 14, 23, 35.5, 64





Article Number	Description	Article Code
1	SAFETY PROTECTION SPACER	F5TM13
2	MOTORISED SHAFT IN AISI 304	L5TM08
3	SAFETY PROTECTION BRACKET	F5TM12
4	CLASSIC END MOTOR DRIVE	L5M
5	GEAR REDUCER MOTOR FIXING PLATE	L5TM1049
6	REDUCTION GEAR BRACKET	F5TM09
7	DRIVE SHAFT	*
8	SIMPLE SPROCKET	*
9	SAFETY PROTECTION	F5TM24

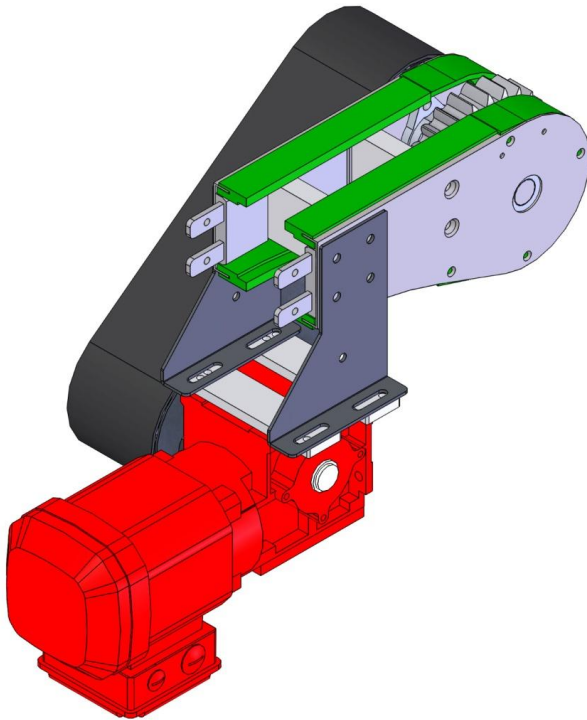
* Depends on the motor type

The parts indicated are not sold separately unless they are present in this catalogue in the designated section.

Transferred end motor drive with guided chain

The transferred drive kit allows to move the position of the gear motor with respect to the axis of the drive sprocket. These are commonly used when it is necessary to reduce the space occupied by the end motor drive unit.

Transmission chain tension is regulated by using the available space in the slots on the support plate of the motor unit. The transmission has a suitable safety protection which must always be in its place when the conveyor is moving.



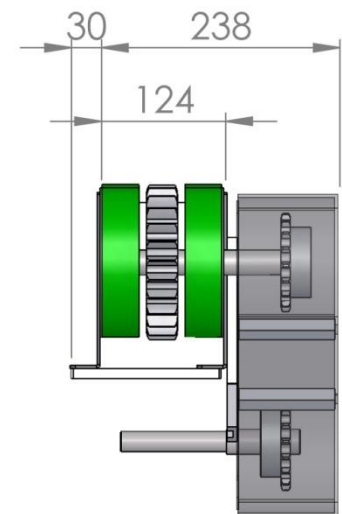
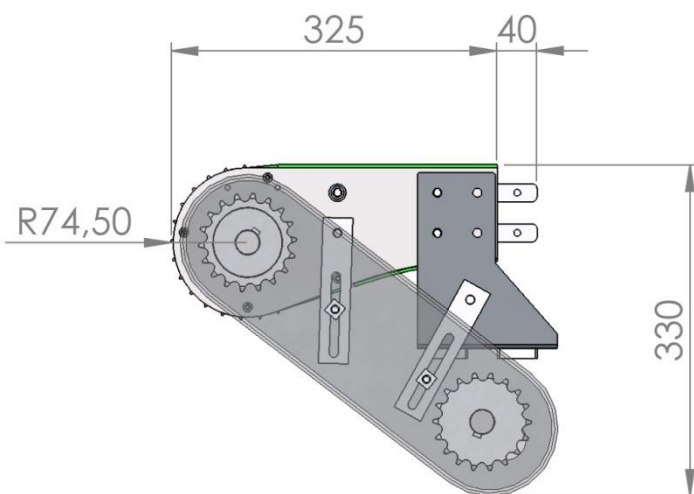
Technical specifications:

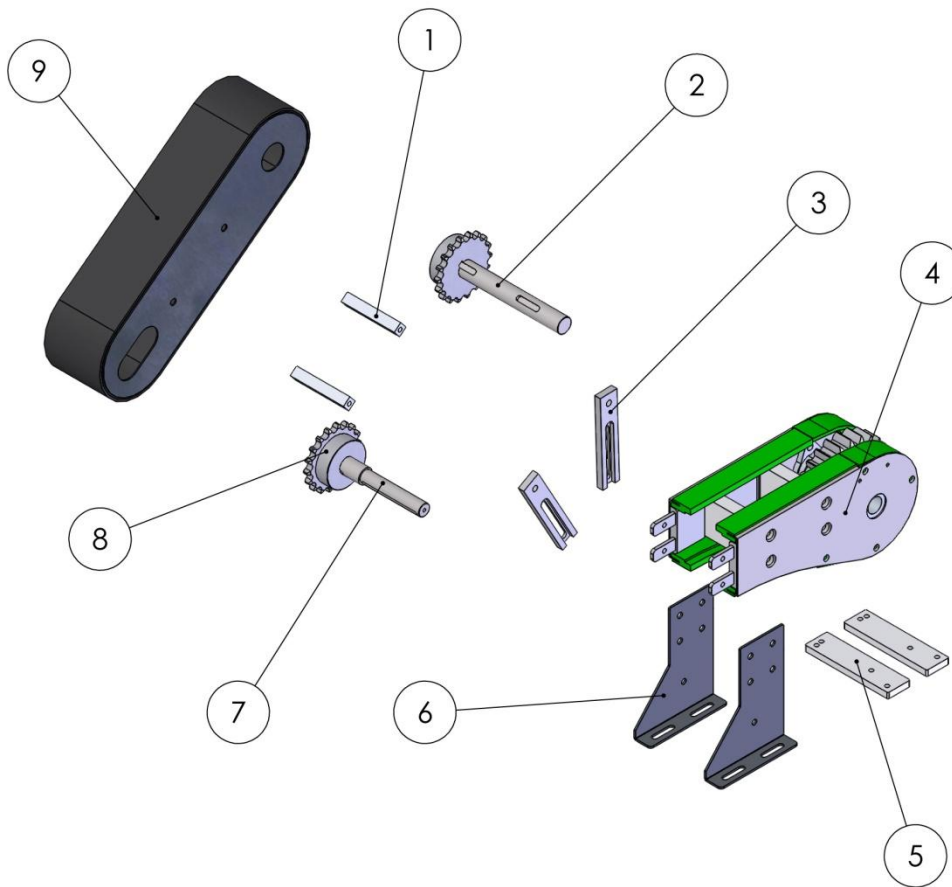
Standard motor : Triphase 220/380 V

N° teeth drive sprocket with chain in resin : Z 12 Dp. 147 mm

N° teeth drive sprocket with chain in steel : Z 25 Dp. 153 mm

Standard speed at 50 Hz (m/min) : 6.5, 14, 23, 35.5, 64





Article Number	Description	Article Code
1	SAFETY PROTECTION SPACER	F5TM13
2	MOTORISED SHAFT IN AISI 304	L5TM08
3	SAFETY PROTECTION BRACKET	F5TM12
4	CLASSIC END MOTOR DRIVE	L5MCG
5	GEAR REDUCER MOTOR FIXING PLATE	L5TM1049
6	REDUCTION GEAR BRACKET	F5TM09
7	DRIVE SHAFT	*
8	SIMPLE SPROCKET	*
9	SAFETY PROTECTION	F5TM24

* Depends on the motor type

The parts indicated are not sold separately unless they are present in this catalogue in the designated section.

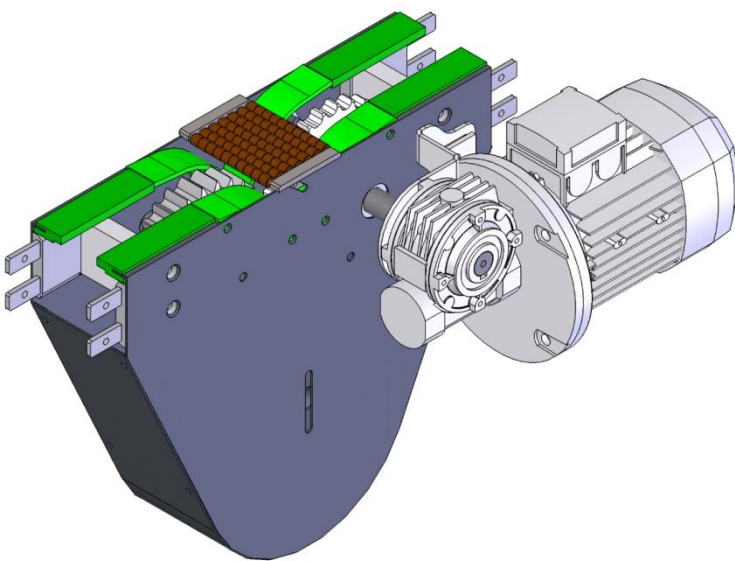


Central motor drive

The central motor drive can be installed at any point along the conveyor. It is normally used when the conveyor has a closed ring configuration. The best working conditions are obtained by positioning the drive as closely as possible to the point in where the greatest load is situated. Central drive considers also a roller passage to facilitate the transport continuity.

Suspended motor drive

The unit is mounted on the side of the motor and is directly connected to the chain drive sprocket.



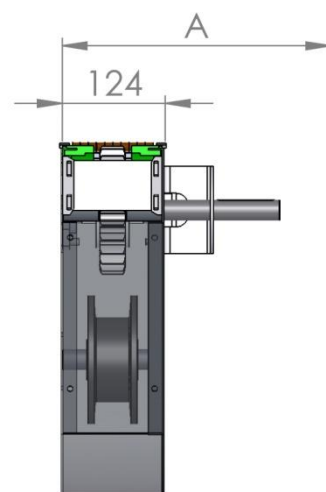
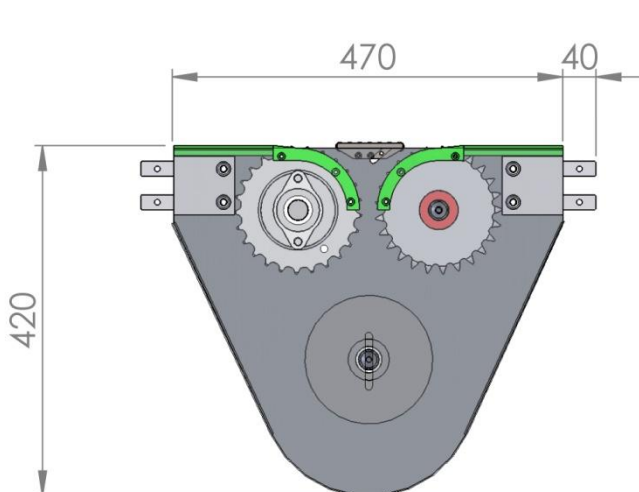
Technical specifications:

Standard motor : Triphase 220/380 V

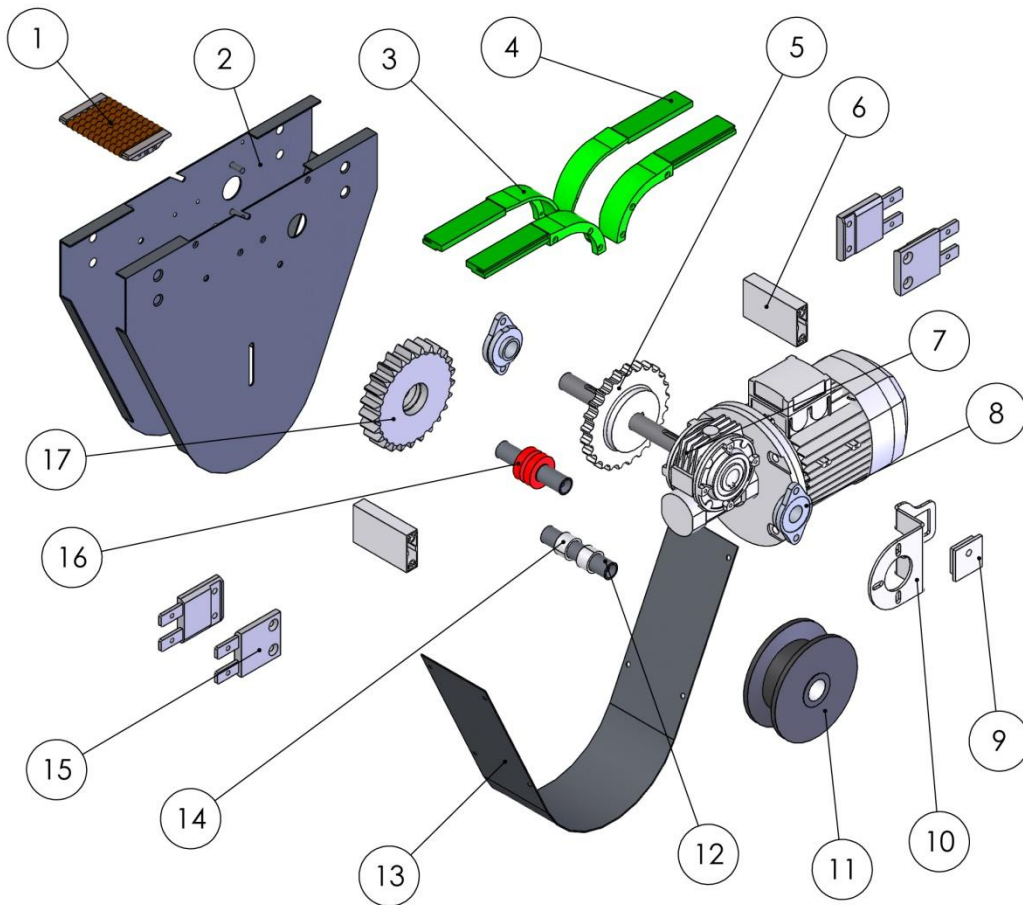
N° teeth drive sprocket with chain in resin : Z 12 Dp. 147 mm

N° teeth drive sprocket with chain in steel : Z 25 Dp. 153 mm

Standard speed at 50 Hz (m/min) : 6.5, 14, 23, 35.5, 64



A = Volume depending to the motor gear type



Article Number	Description	Article Code
1	ROLLER PASSAGE	L5PARUL
2	LEFT/RIGHT PLATE FOR CENTRAL MOTOR DRIVE	F5MC01D F5MC01S
3	LEFT/RIGHT UNDERCHAIN SLIDE	F5TM35D F5TM35S
4	CHAIN SLIDEWAY	L5PC120
5	DRIVE WHEEL	**
6	INTERNAL SPACER	L5MP03
7	DRIVE SHAFT	*
8	SUPPORT IN ALLOY DIAMETER 25	UFL005
9	PIN FOR REACTION ARM	F5TM06
10	REACTION LEVER	*
11	RETURN WHEEL IN BLACK GLISTAMIDE	NSXT820
12	180° RETURN END SHAFT IN STAINLESS STEEL AISI 304	L5RL04
13	UPPER SAFETY PROTECTION	L5TMC02
14	IGUS BUSHES	MSM-2532-20
15	CAST ALUMINIUM MOTOR DRIVE PLATE	F5PG13
16	BEARINGS	6004-2RS
17	RETURN WHEEL	F5PRRA

* Depends on the motor type

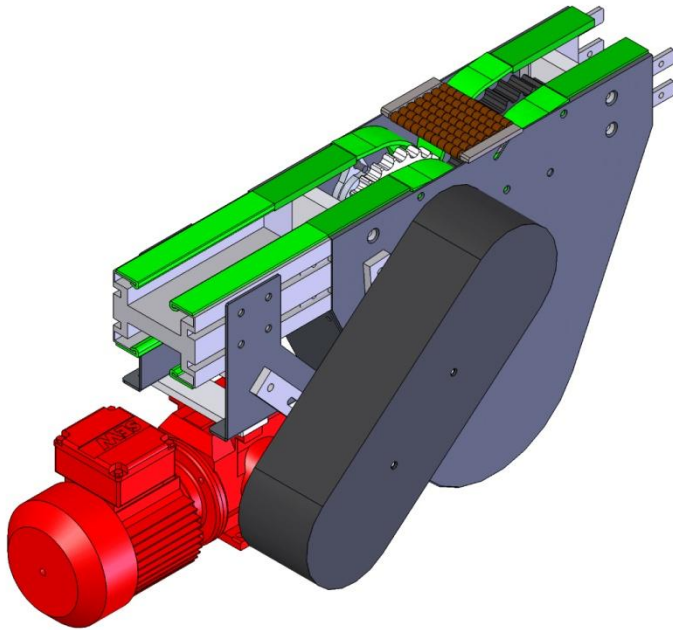
** Depends on the chain type

The parts indicated are not sold separately unless they are present in this catalogue in the designated section.

Transferred motor drive

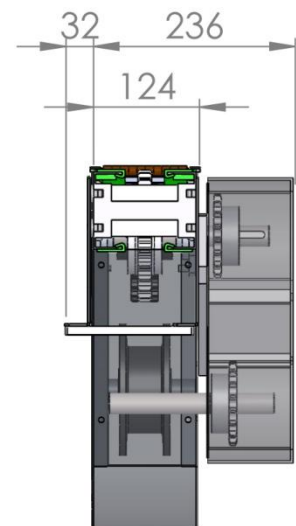
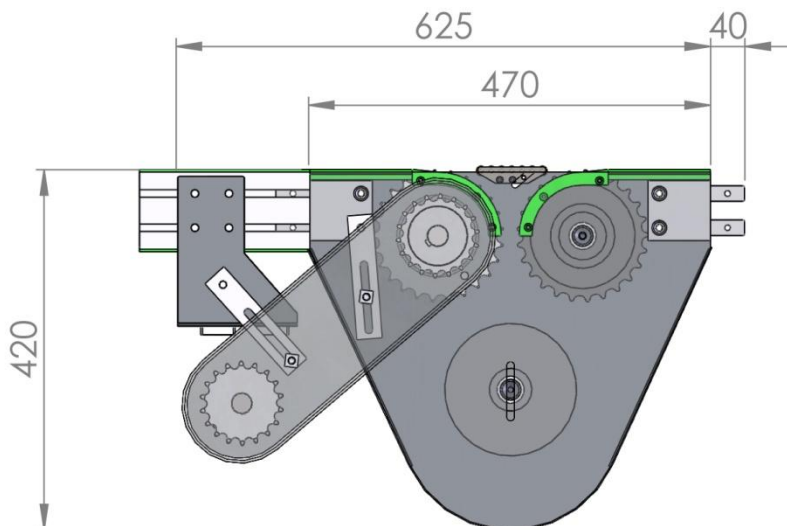
The transferred drive kit allows to move the position of the gear motor with respect to the axis of the drive sprocket. These are commonly used when it is necessary to reduce the space occupied by the end motor drive unit.

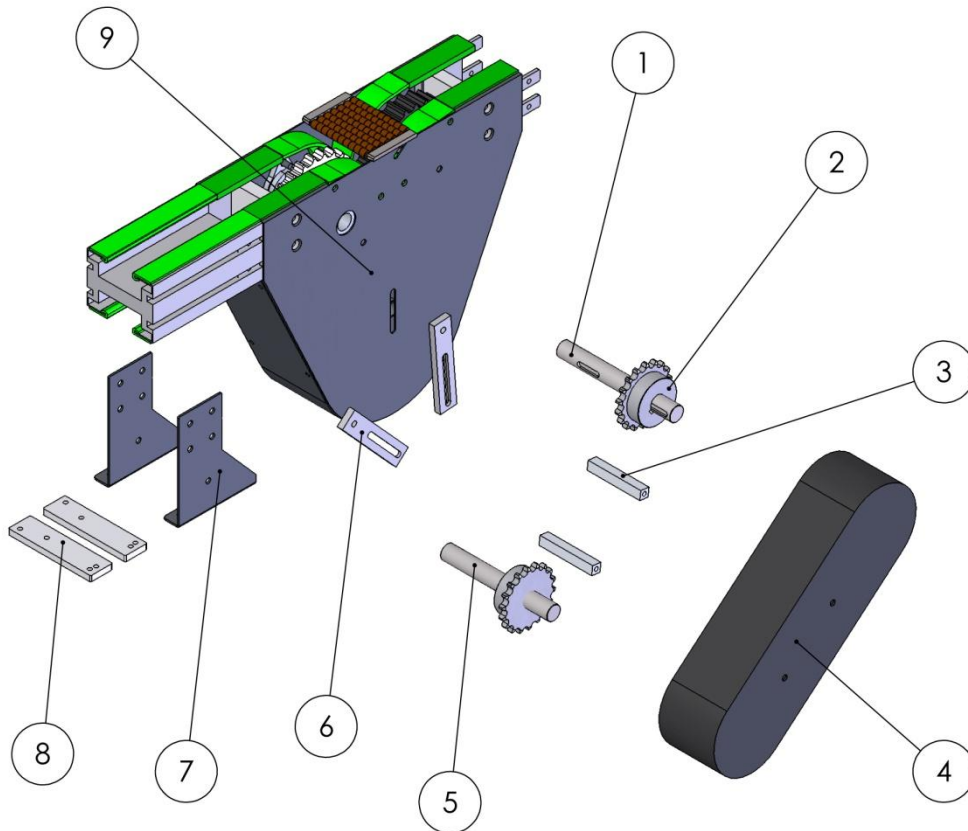
Transmission chain tension is regulated by using the available space in the slots on the support plate of the motor unit. The transmission has a suitable safety protection which must always be in its place when the conveyor is moving.



Technical specifications:

Standard motor	: Triphase 220/380 V
N° teeth drive sprocket with chain in resin	: Z 12 Dp. 147 mm
N° teeth drive sprocket with chain in steel	: Z 25 Dp. 153 mm
Standard speed at 50 Hz (m/min)	: 6.5, 14, 23, 35.5, 64





Article Number	Description	Article Code
1	MOTORISED SHAFT IN AISI 304	L5TM08
2	SIMPLE SPROCKET	*
3	SAFETY PROTECTION SPACER	F5TM13
4	SAFETY PROTECTION	F5TM24
5	DRIVE SHAFT	*
6	SAFETY PROTECTION BRACKET	F5TM12
7	JOINING PLATE	L5TM1049
8	REDUCTION GEAR BRACKET	F5TM09
9	CENTRAL MOTOR DRIVE	L5MC

* Depends on the motor type

The parts indicated are not sold separately unless they are present in this catalogue in the designated section.

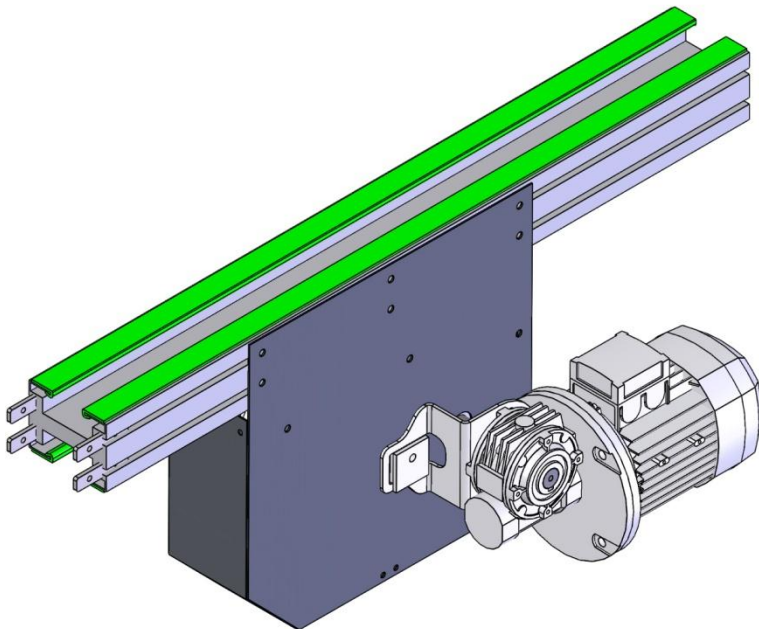


Intermediate motor drive on chain return

The intermediate motor drive on the chain return can be installed at any point along the conveyor. It is used when at the ends of the conveyor there is insufficient space to place the drive unit. The best work conditions are obtained by positioning the drive unit as closely as possible to the return drive, placed and the end of the conveyor with respect to the direction of the belt. The drive sprocket operates on the return section of the chain. In the case of using one intermediate motor drive on the chain return, the permissible pull on the conveyor is lower than on other types of motor drive: so please contact our Technical Department for a more accurate assessment.

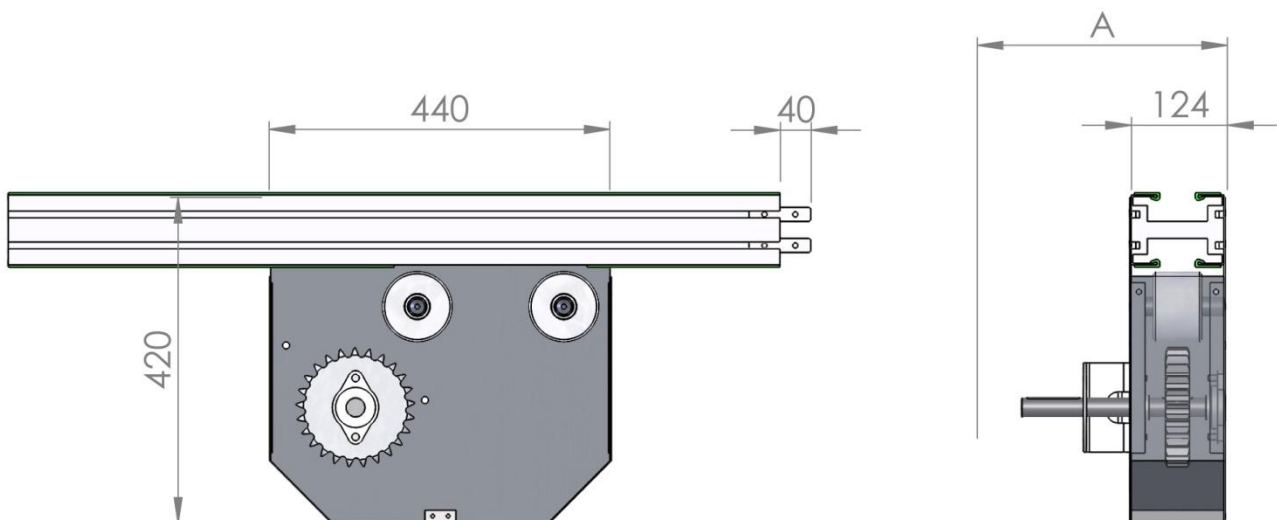
Suspended motor drive

The unit is mounted on the side of the motor and is directly connected to the chain drive sprocket.

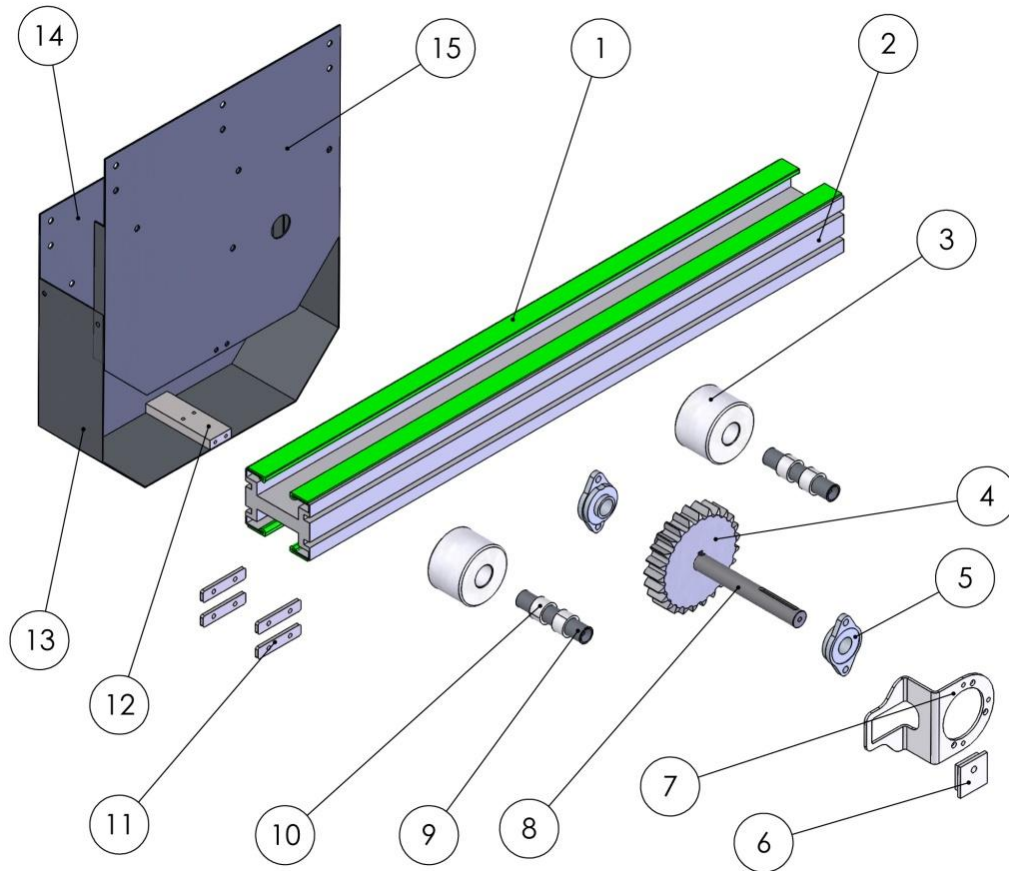


Technical specifications:

Standard motor	: Triphase 220/380 V
N° teeth drive sprocket with chain in resin	: Z 12 Dp. 147 mm
N° teeth drive sprocket with chain in steel	: Z 25 Dp. 153 mm
Standard speed at 50 Hz (m/min)	: 6.5, 14, 23, 35.5, 64



A = Volume depending to the motor gear type



Article Number	Description	Article Code
1	CHAIN SLIDEWAY	G52
2	CHANNEL	L5TC07
3	IDLE WHEEL	F5TR26N
4	DRIVE WHEEL	**
5	SUPPORT IN ALLOY DIAMETER 25	UFL005
6	PIN FOR REACTION ARM	F5TM06
7	REACTION LEVER	*
8	DRIVE SHAFT	*
9	180° RETURN END SHAFT IN STAINLESS STEEL AISI 304	L5RL04
10	IGUS BUSHES	MSM-2532-20
11	CHANNEL JOINING PLATE	PG1
12	SAFETY PROTECTION SPACER	L5TC02
13	SAFETY PROTECTION	L5TC03
14	RIGHT PLATE	F5TC05
15	LEFT PLATE	F5TC06

* Depends on the motor type

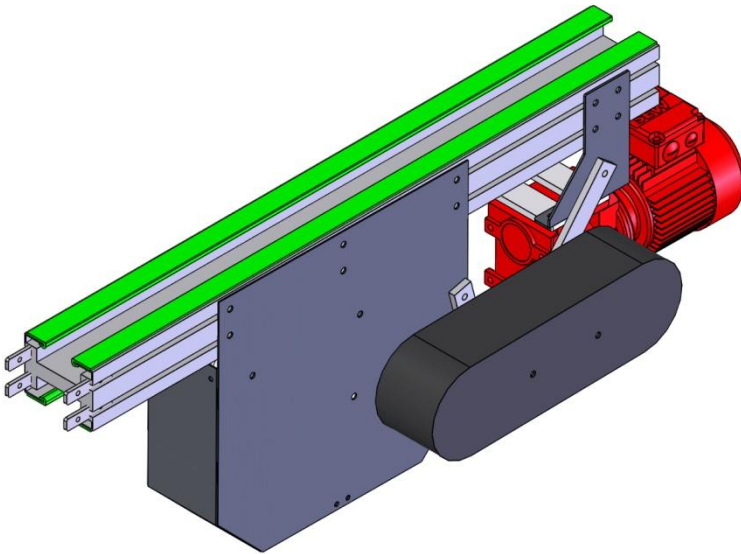
** Depends on the chain type

The parts indicated are not sold separately unless they are present in this catalogue in the designated section.

Transferred motor drive

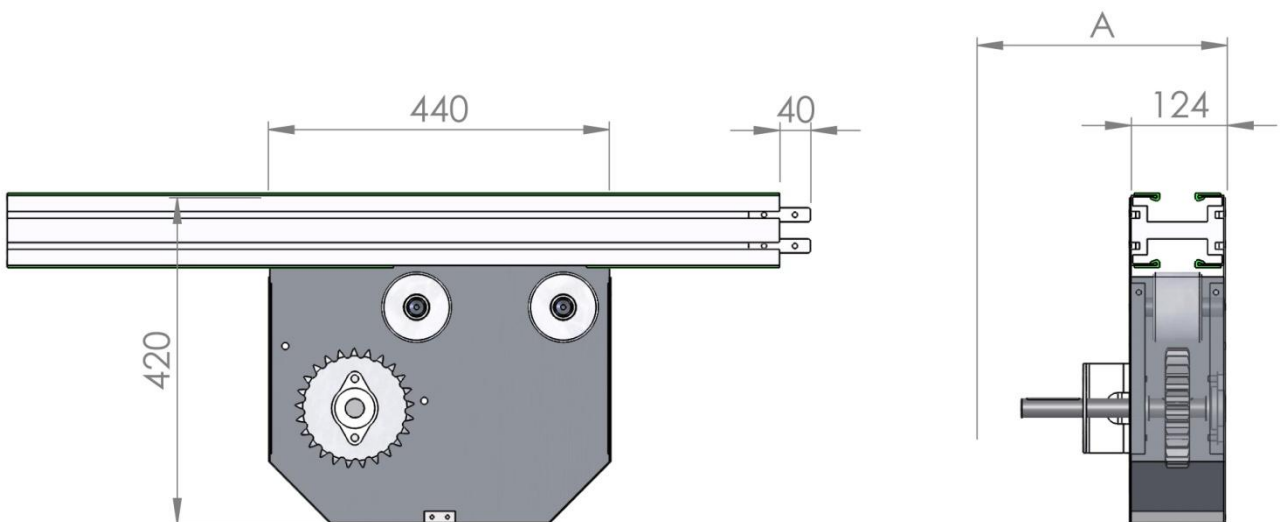
The transferred drive kit allows to move the position of the gear motor with respect to the axis of the drive sprocket. These are commonly used when it is necessary to reduce the space occupied by the drive unit.

Transmission chain tension is regulated by using the available space in the slots on the support plate of the motor unit. The transmission has a suitable safety protection and is always in its place when the conveyor is moving.

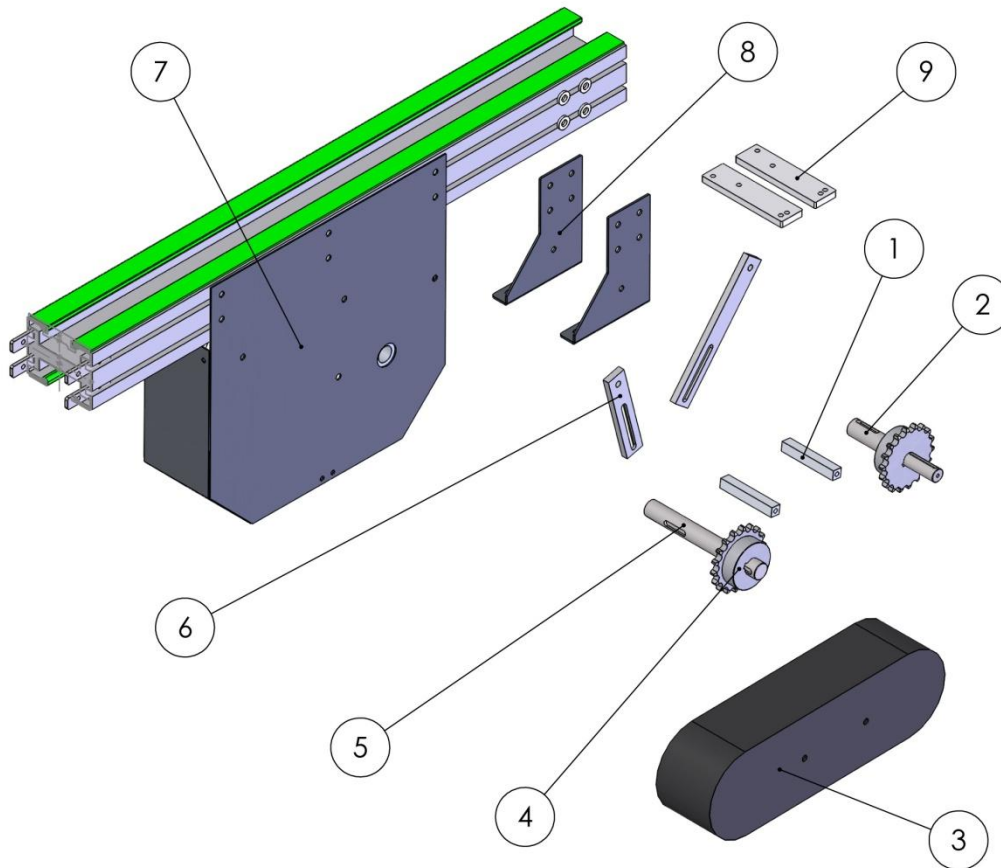


Technical specifications:

Standard motor	: Triphase 220/380 V
N° teeth drive sprocket with chain in resin	: Z 12 Dp. 147 mm
N° teeth drive sprocket with chain in steel	: Z 25 Dp. 153 mm
Standard speed at 50 Hz (m/min)	: 6.5, 14, 23, 35.5, 64



A = Volume depending to the motor gear type

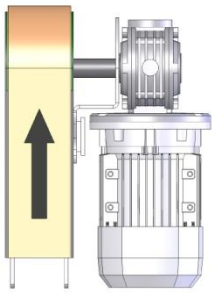
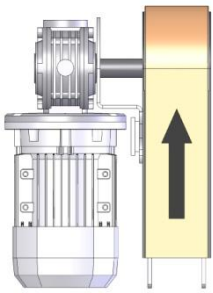


Article Number	Description	Article Code
1	SAFETY PROTECTION SPACER	F5TM13
2	DRIVE SHAFT	*
3	SAFETY PROTECTION	F5TM24
4	SIMPLE SPROCKET	*
5	MOTORISED SHAFT IN AISI 304	L5TM08
6	SAFETY PROTECTION BRACKET	F5TM12
7	INTERMEDIATE MOTOR DRIVE	L5MI
8	REDUCTION GEAR BRACKET	F5TM09
9	JOINING PLATE	L5TM1049

* Depends on the motor type

The parts indicated are not sold separately unless they are present in this catalogue in the designated section.

HOW TO WRITE THE ORDER CODES FOR MOTOR DRIVES

Description	Order Code	
Motor drive type	Suspended end : L5MP Transferred end : L5MR Suspended end with guided chain : L5MPCG Transferred end with guided chain : L5MRCG Central suspended : L5MCP Central transferred : L5MCR Intermediate suspended : L5MIP Intermediate transferred : L5MIP	
Drive side	Right: D 	Left: S 
Motor gear type	Bonfiglioli MVF49 Bonfiglioli W63 SEW WA20 SEW WA30	
Motor gear presence	Yes: Y No: N	
Chain type	Plastic: Stainless steel: SS	

If purchasing the drive unit with your order, please specify the required speed at the time of ordering.

Example:

Right suspended end motor drive with SEW WA30 motor gear included and plastic chain

Cod: L5MP-D-WA30-Y

NOTE: For speeds above 20 m/min or in the presence of frequent starts or high loads, it is essential to put the motors under soft starter or inverter

Motor drive in curve

The end motor drive in curve is used to create ring shaped conveyor systems, or to create ascending or descending spiral systems.

In this case, the chain is driven in correspondence with each curve. It is possible to create accumulation systems with high workloads without limits in length.

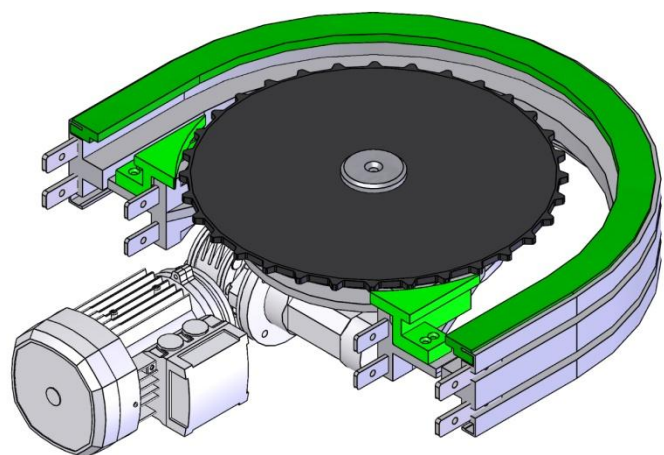
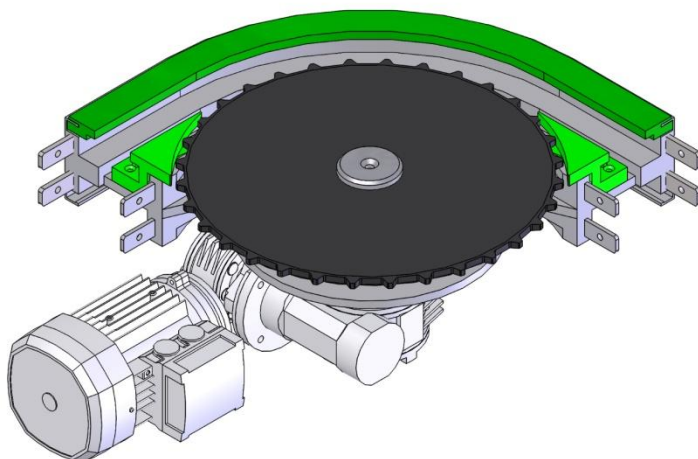
Normally, the unit is installed in 180° curves, but can also be used on 90° curves (supplied on request). In this case, the workload is lighter.

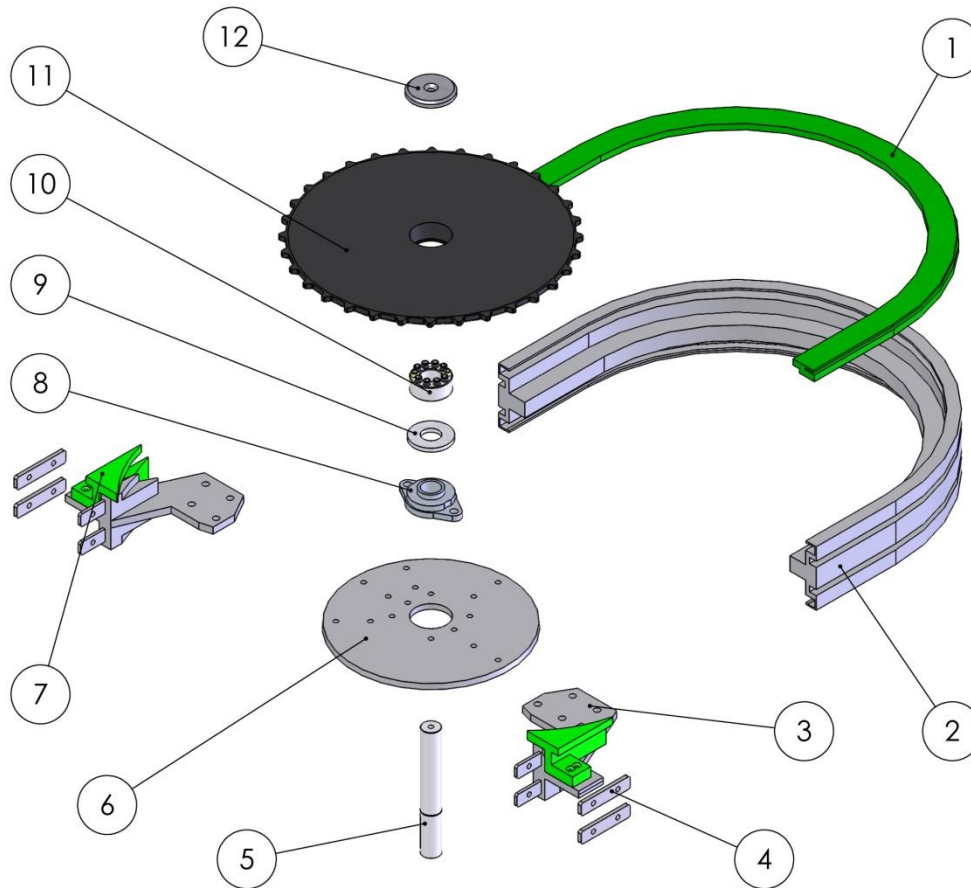
Drives in curves can be created only with the following types of chains:

Type BAT LF K 450 (bidirectional)

Type BAT HFP K 450 (bidirectional)

Note The BAT LF and HFP K 450 chains can be moved in both directions. This technical characteristic allows them to, for example, change directions for an accumulation storage unit with vertical spiral, by creating a very simple, practical LIFO system.





Article Number	Description	Article Code
1	CHAIN SLIDEWAY	GS2
2	EXTERNAL FLAT CURVE	L5EC(ANGOLO)
3	CHANNEL GUIDE CONNECTION FORK	L5CP03N
4	CHANNEL JOINING PLATE	PG1
5	DRIVE SHAFT	*
6	BASE DISK	F5CM01
7	RIGHT/LEFT SLIDE FOR CHAIN BETWEEN DISK AND FORK	L5CP08D L5CP08S
8	SUPPORT IN ALLOY DIAMETER 25	UFL005
9	WASHER	F5CM06
10	SHRINK DISK	MPBIKON-4000
11	TOOTHED DISK	F5CM03
12	CAP	F5CM07

* Depends on the motor type

The parts indicated are not sold separately unless they are present in this catalogue in the designated section.

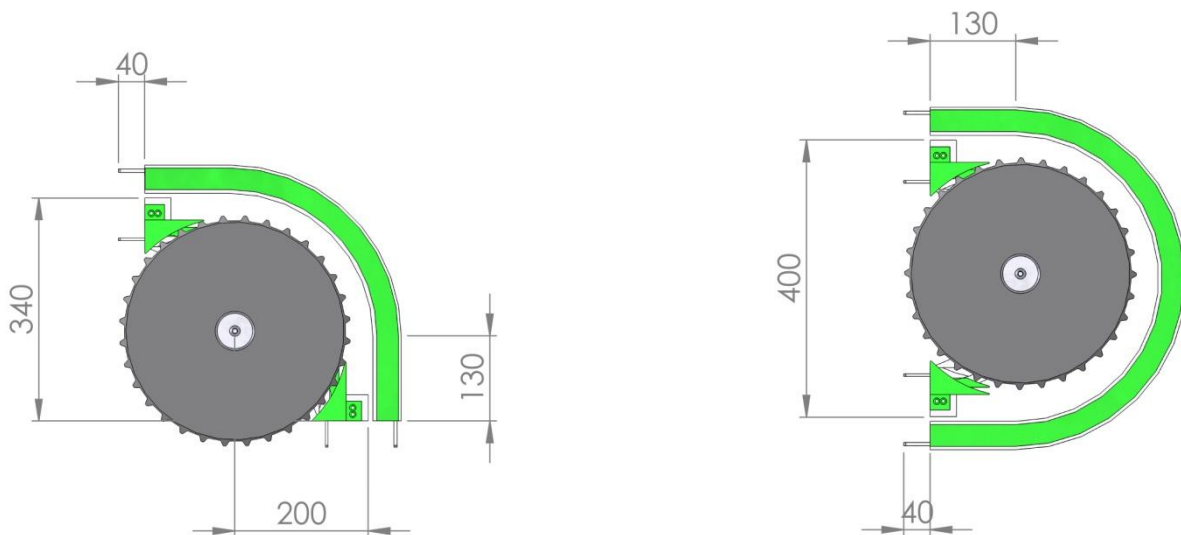
HOW TO WRITE THE ORDER CODES FOR DRIVE UNITS IN CURVE	
Description	Order Code
Motor drive type	Drive in curve: L5MC
Curve type	90° 180°
Motor gear type	Bonfiglioli MVF49 Bonfiglioli MVF49L Bonfiglioli MVF63
Motor gear presence	Yes: Y No: N

If purchasing the drive unit with your order, please specify the required speed at the time of ordering.

Example:

Motor drive in 180° curve with Bonfiglioli MVF49 motor gear included

Cod: L5MC-180-MVF49-Y

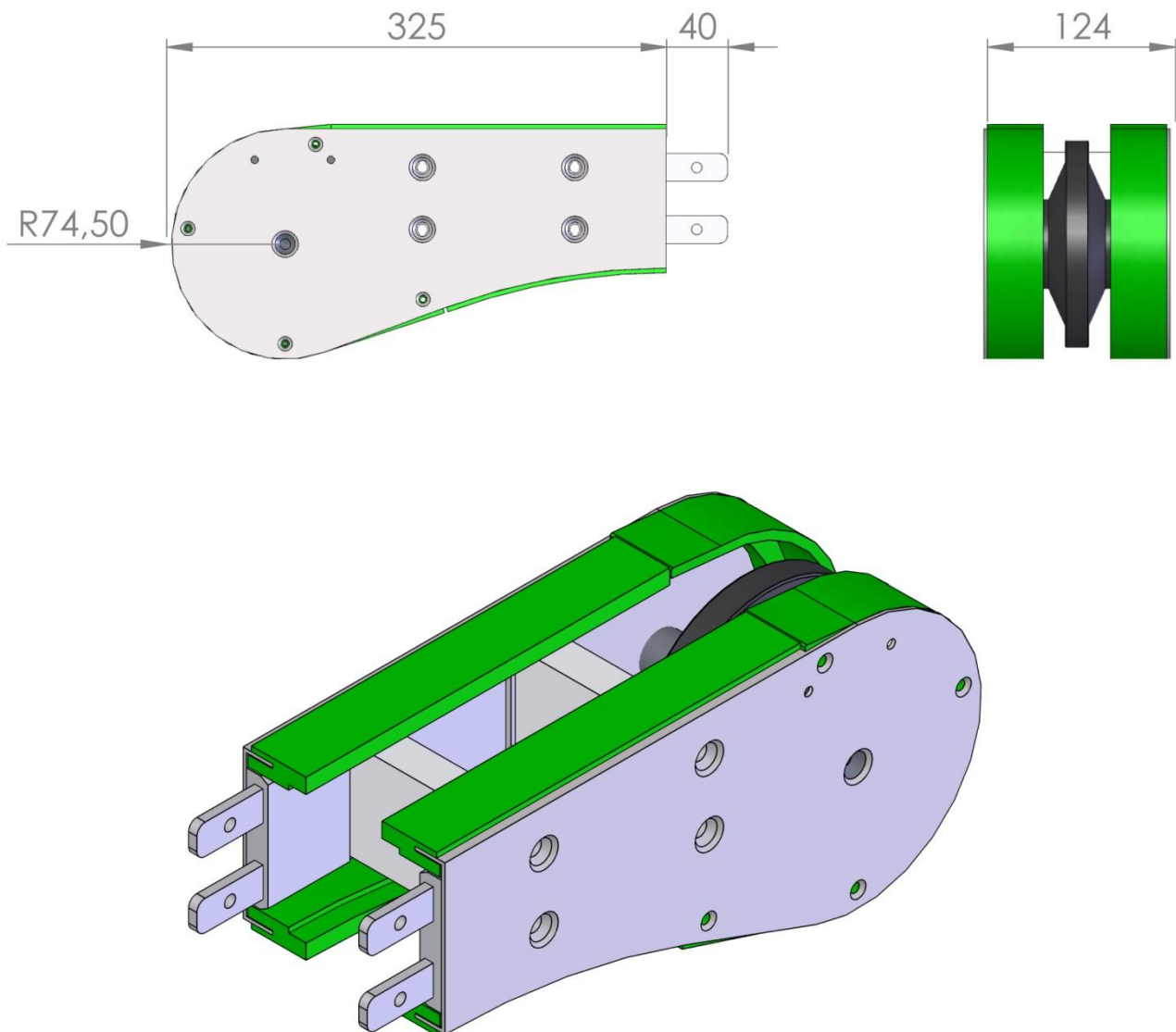


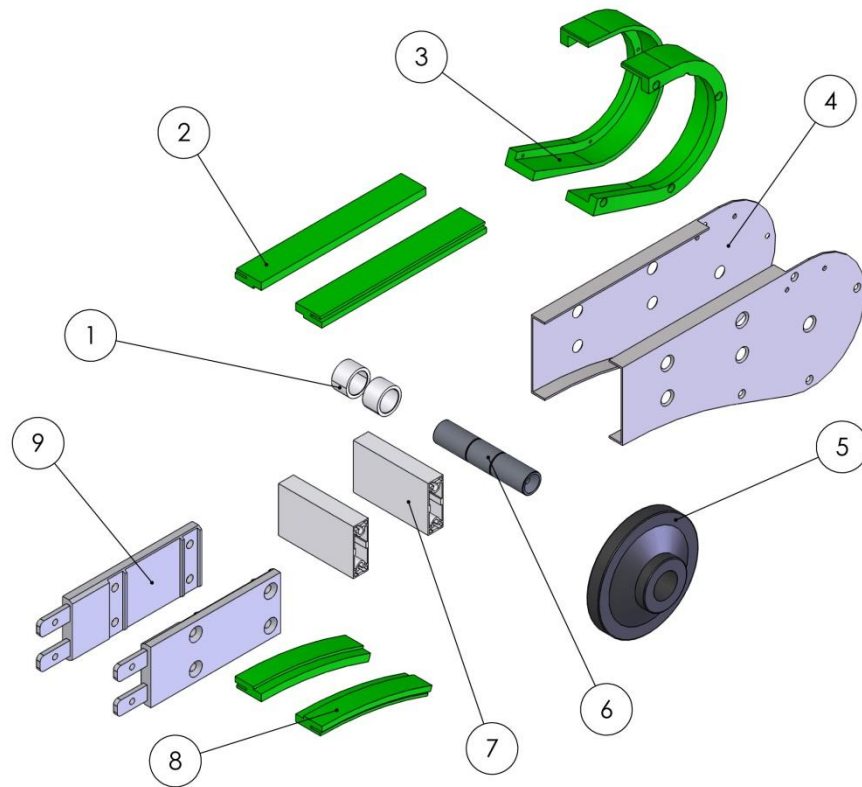
Standard Returns

There are different standard return units to choose from depending on the construction requirements of the conveyor, for speeds of up to 70m/min. Every return unit has a chain guide around the entire track, to prevent the lower part from derailing.

The 90° return unit is used only for accumulation applications or with the spiral elevator conveyors that do not have return chains.

180° Long final return





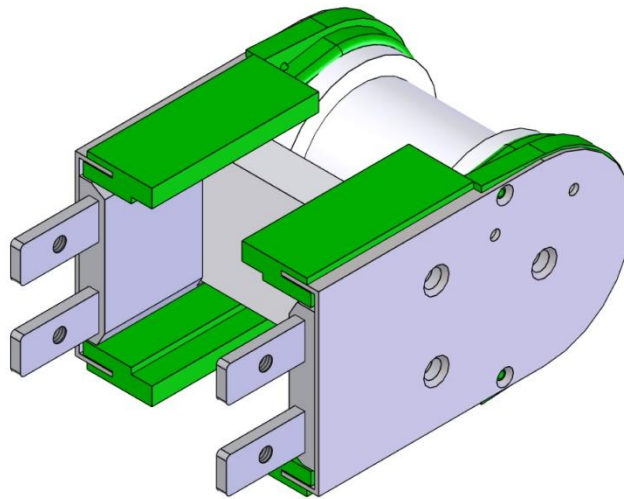
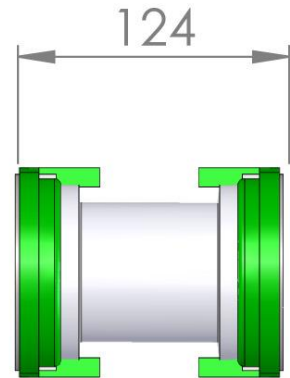
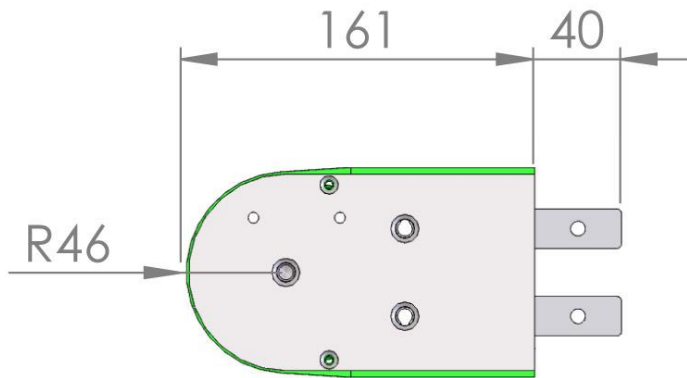
Article Number	Description	Article Code
1	IGUS BUSH	WFM-2528-21
2	CHAIN SLIDEWAY	L5PC220
3	LEFT/RIGHT UNDERCHAIN SLIDE	L5TR06D L5TR06S
4	LEFT/RIGHT PLATE FOR 180° RETURN END WITH HOLE DIAM. 35 MM	F5TR30 F5TR31
5	RETURN WHEEL	F5RRA
6	MOTOR DRIVE SHAFT FOR 180° RETURN IN STAINLESS STEEL AISI 304	L5RL04
7	INTERNAL SPACER	L5MP03
8	CHAIN SLIDEWAY	L5PC145
9	CAST ALUMINIUM MOTOR DRIVE PLATE	F5PG14

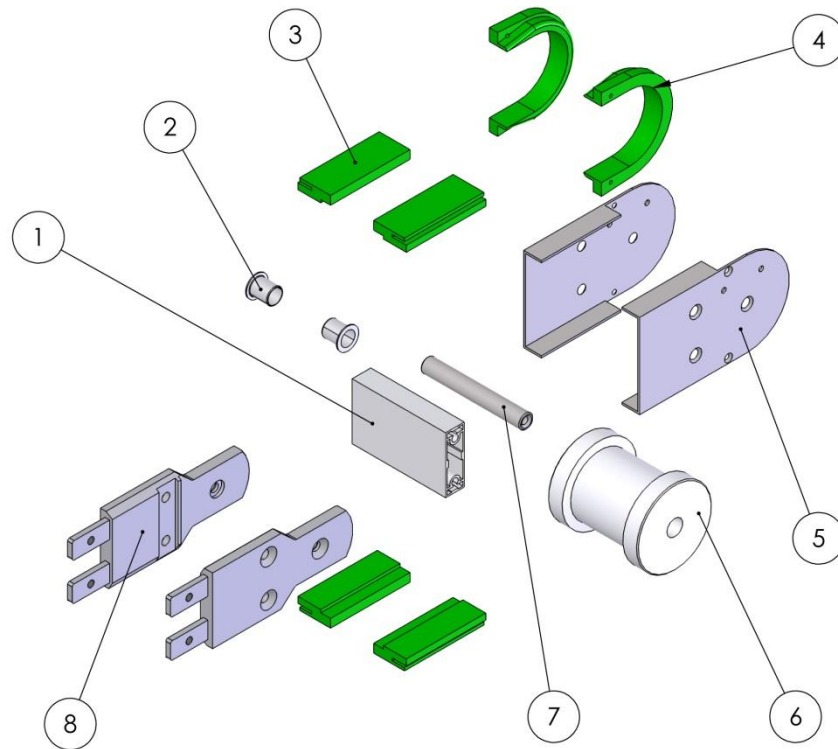
The parts indicated are not sold separately unless they are present in this catalogue in the designated section.

Order Code: L5RL



180° Short final return





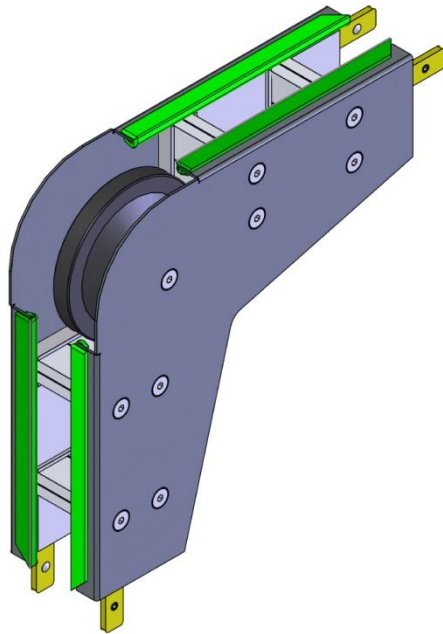
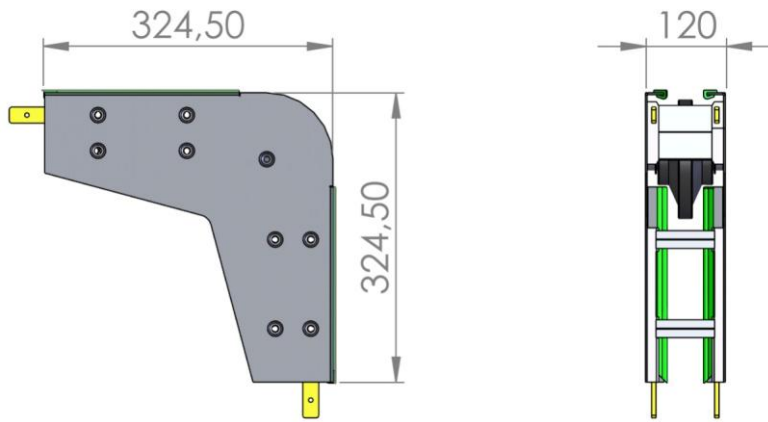
Article Number	Description	Article Code
1	INTERNAL SPACER	L5MP03
2	IGUS BUSH	GFM-1517-20
3	CHAIN SLIDEWAY	L5PC085
4	UNDERCHAIN SLIDE	F5TR11
5	PLATE FOR 180° SHORT RETURN END IN CAST ALUMINIUM	F5PG13
6	NYLON ROLLER	L5RC04
7	SHAFT FOR 180° SHORT RETURN END IN STAINLESS STEEL AISI 304	F5TR33
8	LEFT/RIGHT PLATE SHORT RETURN END	F5TR32D F5TR32S

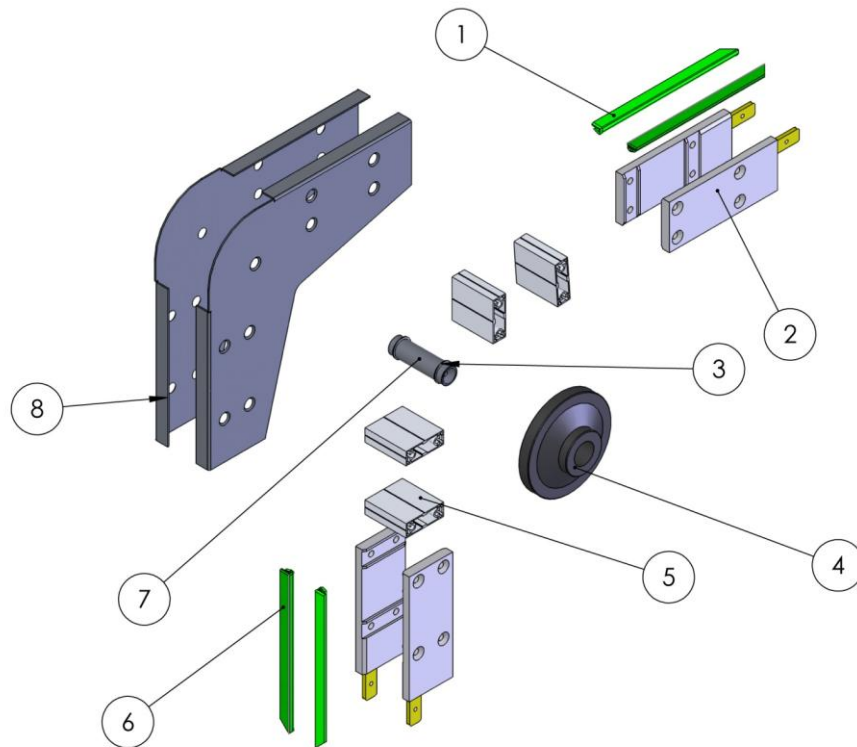
The parts indicated are not sold separately unless they are present in this catalogue in the designated section.

Order Code: L5RC



Final return at 90°





Article Number	Description	Article Code
1	CHAIN SLIDEWAY	L5CP220
2	CAST ALUMINIUM MOTOR DRIVE PLATE	F5PG14
3	IGUS BUSH	MSM-2532-20
4	RETURN WHEEL IN BLACK POLYETHYLENE	F5PRRA
5	INTERNAL SPACER	L5MP03
6	CHAIN SLIDEWAY	L5CP220
7	RETURN END SHAFT	L5RL04
8	STEEL SAFETY PROTECTION	L5PTR90

The parts indicated are not sold separately unless they are present in this catalogue in the designated section.

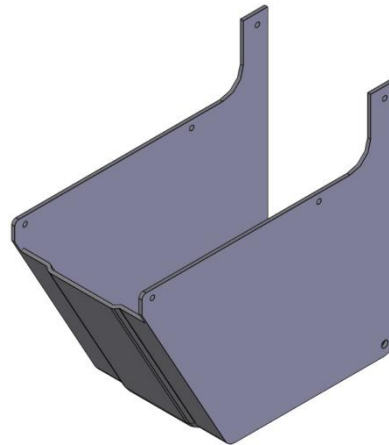
Order Code: L5R90



Accident protection devices on the end drives

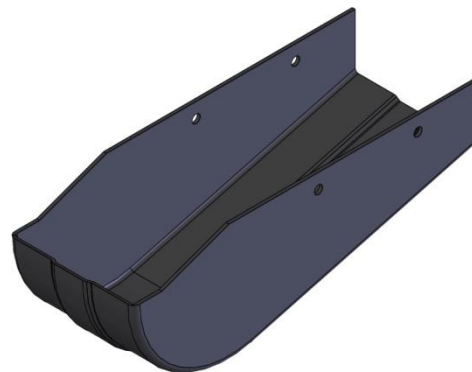
Safety protection on end motor drives

Cod: L5-PMT



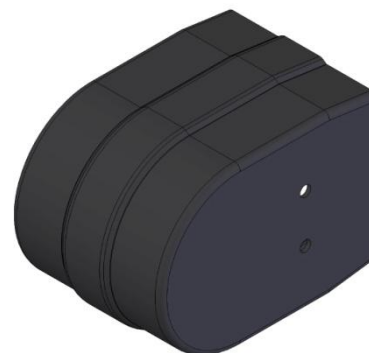
Safety protection on long returns

Cod: L5-PRL



Safety protection on short returns

Cod: L5-PRC



Curves

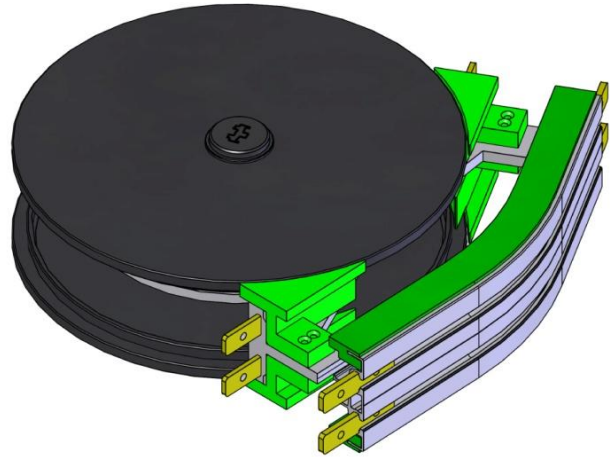
Flat curves with idle disk

Flat curves with idle disk are used to allow the conveyor to change directions. They reduce the friction during function as much as possible.

The curve and idle disk are made to constantly guide the chain. The disk is supported by two waterproof bearings with permanent lubrication. However, an additional watertight protection cap is also provided.

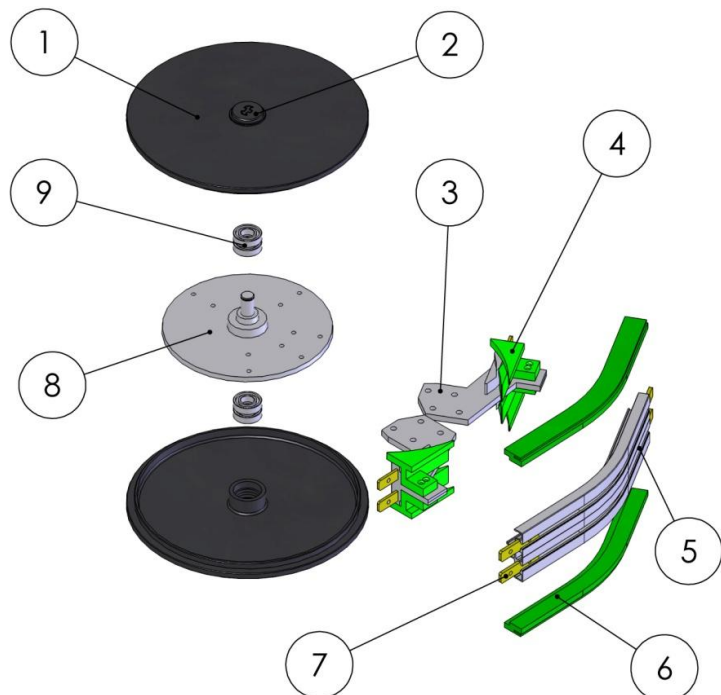
The curves can be with double disks for paths with two-way paths, or with a single disk for one-way paths.

The standard versions are: 30°-45°-60°-90°-180°



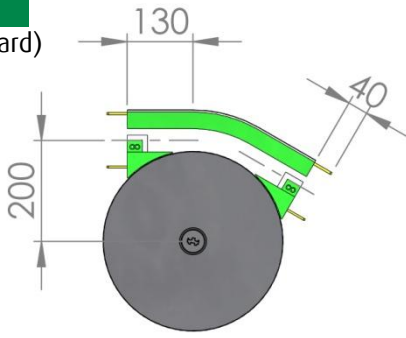
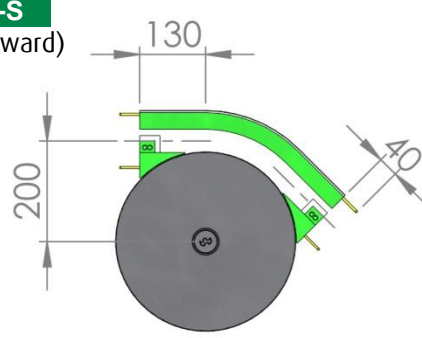
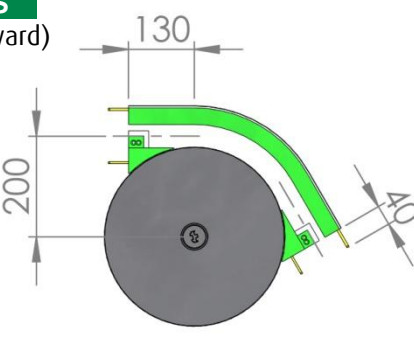
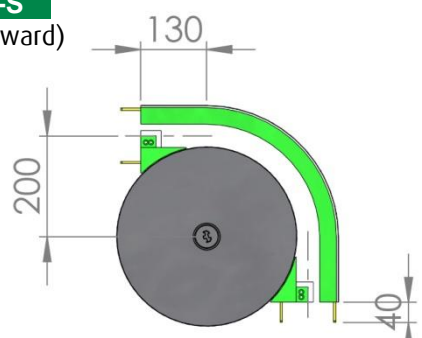
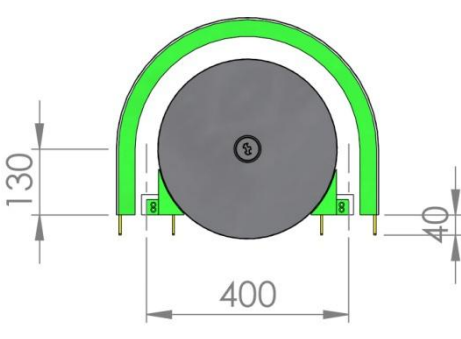
Article Number	Description	Article Code
1	IDLE DISK IN POLYCARBONATE	F5CP01
2	CAP	F5CP05
3	CHANNEL GUIDE CONNECTION FORK	L5CP03N
4	LEFT/RIGHT SLIDE FOR CHAIN BETWEEN DISK AND FORK	L5CP08D
5	EXTERNAL FLAT CURVE	L5EC(ANGOLO)
6	CHAIN SLIDEWAY	L5PC05(ANGOLO)
7	CHANNEL JOINING PLATE	PG1
8	BASE DISK WITH PIN FOR DOUBLE IDLE CURVE	F5CP02
9	BEARINGS	6004-2RS

The parts indicated are not sold separately unless they are present in this catalogue in the designated section.





Flat curves with idle disk

<p>30° CURVE</p> <p>Cod: L5-CF30-D (double: forward and back)</p> <p>Cod: L5-CF30-S (simple: only forward)</p> 	<p>45° CURVE</p> <p>Cod: L5-CF45-D (double: forward and back)</p> <p>Cod.: L5-CF45-S (simple: only forward)</p> 
<p>60° CURVE</p> <p>Cod: L5-CF60-D (double: forward and back)</p> <p>Cod.: L5-CF60-S (simple: only forward)</p> 	<p>90° CURVE</p> <p>Cod: L5-CF90-D (double: forward and back)</p> <p>Cod.: L5-CF90-S (simple: only forward)</p> 
<p>180° CURVE</p> <p>Cod: L5-CF180-D (double: forward and back)</p> <p>Cod: L5-CF180-S (simple: only forward)</p> 	

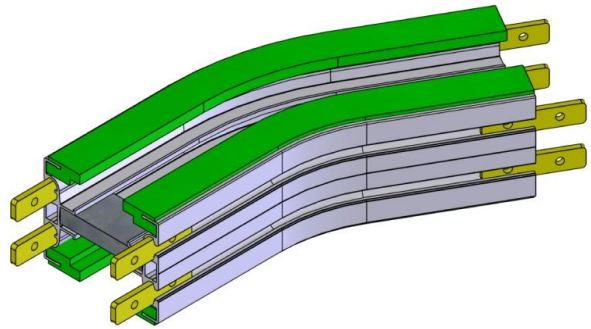
Flat sliding curves

Flat sliding curves are used only in cases when it is necessary to contain the space on the sides, and therefore there is no option of installing the curve idle disk.

The standard versions are: 30°-45°-60°-90°-180°.

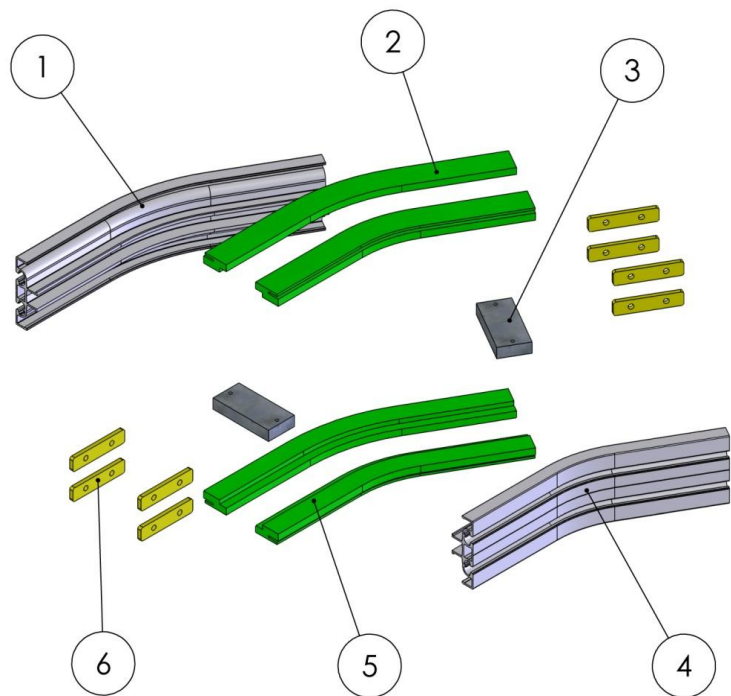
On request, curves with different radii from the standard model can be built, such as very wide radius curves for very long products.

Sliding curves raise the chain's working tension. It is then necessary to consider this when designing the conveyor.



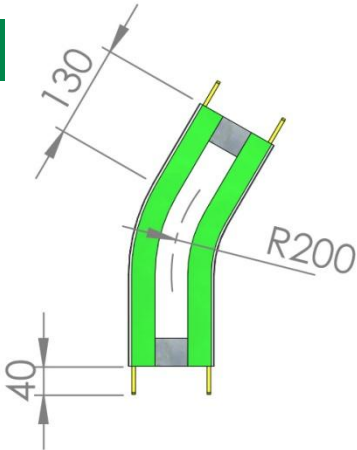
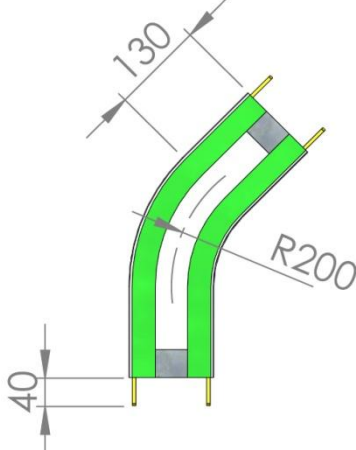
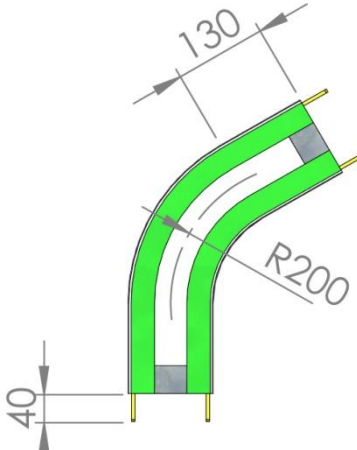
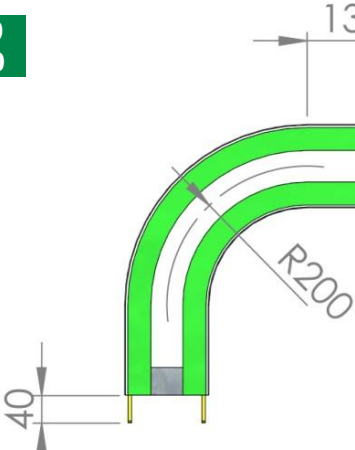
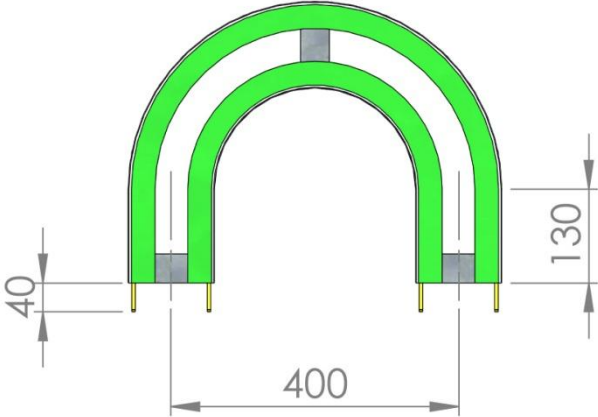
Article Number	Description	Article Code
1	EXTERNAL FLAT CURVE	L5EC(ANGOLO)
2	CHAIN SLIDEWAY	L5PC0530
3	JOINING PLATE	L5PG10
4	INTERNAL FLAT CURVE	L5IC(ANGOLO)
5	CHAIN SLIDEWAY	L5PC0530
6	CHANNEL JOINING PLATE	PG1

The parts indicated are not sold separately unless they are present in this catalogue in the designated section.



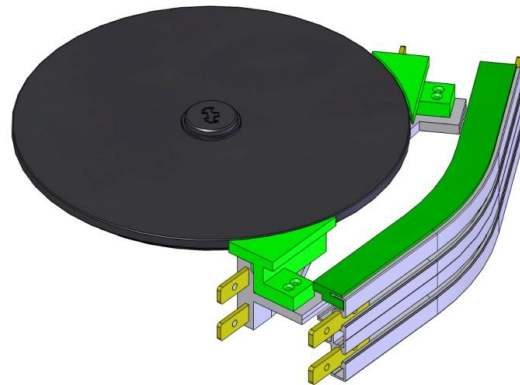


Flat sliding curves

<p>30° CURVE</p> <p>Cod: L5-CS30 SS: L5X-CS30</p> 	<p>45° CURVE</p> <p>Cod: L5-CS45 SS: L5X-CS45</p> 
<p>60° CURVE</p> <p>Cod: L5-CS60 SS: L5X-CS60</p> 	<p>90° CURVE</p> <p>Cod: L5-CS90 SS: L5X-CS90</p> 
<p>180° CURVE</p> <p>Cod.: L5-CS180 SS: L5X-CS180</p> 	

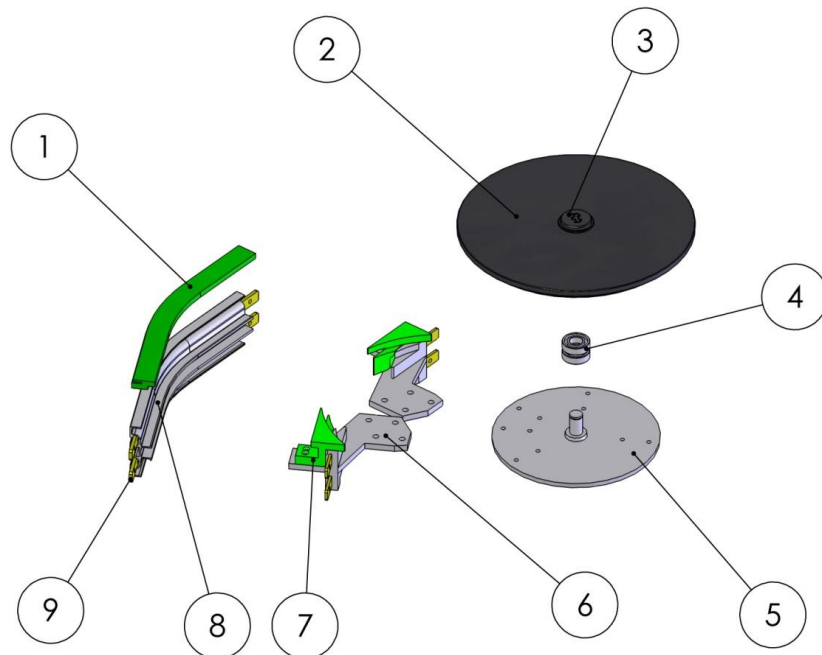
SLIM flat curves with idle disk

Slim curves with low profiles are used with vertical spiral accumulation storage systems. Flat curves with idle disks are used to allow the conveyor to change directions. They reduce the friction during function as much as possible. The curve and idle disk are made to constantly guide the chain. The disk is supported by two waterproof bearings with permanent lubrication. However, an additional watertight protection cap is also provided. The standard versions are: 30°-45°-60°-90°-180°.



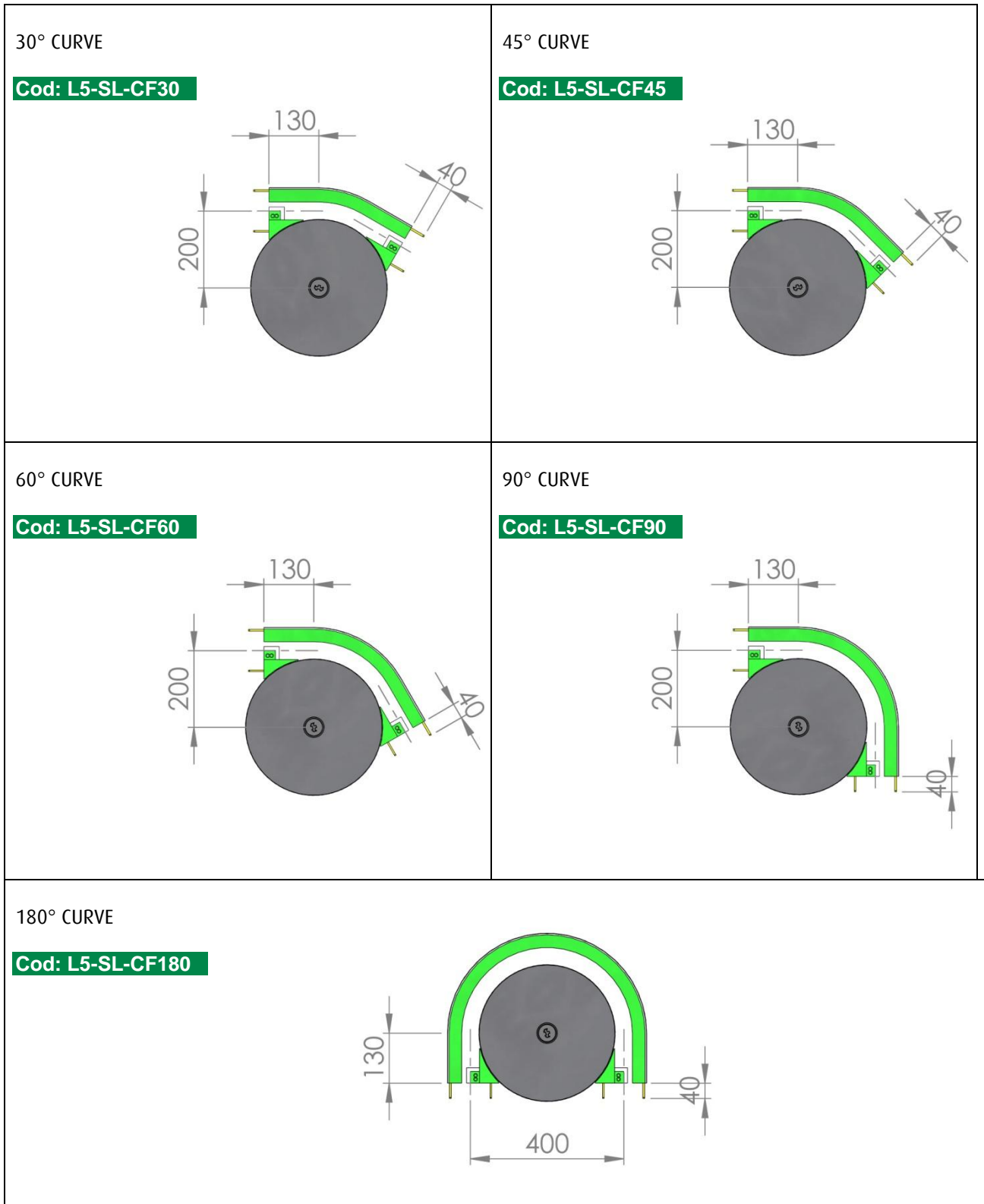
Article Number	Description	Article Code
1	CHAIN SLIDEWAY	L5PC05(ANGOLO)
2	POLYCARBONATE IDLE DISK	F5CP01
3	CAP	F5CP05
4	BEARINGS	6004-2RS
5	FLANGE WITH PIN FOR IDLE CURVE	F5CP02
6	LEFT/RIGHT SIMPLE FORK	L5CP03N
7	LEFT/RIGHT SLIDE FOR CHAIN BETWEEN DISK AND FORK	L5CP08D L5CP08S
8	EXTERNAL CURVE	L5EC05(ANGOLO)
9	CHANNEL JOINING PLATE	PG1

The parts indicated are not sold separately unless they are present in this catalogue in the designated section.





SLIM flat curves with idle disk



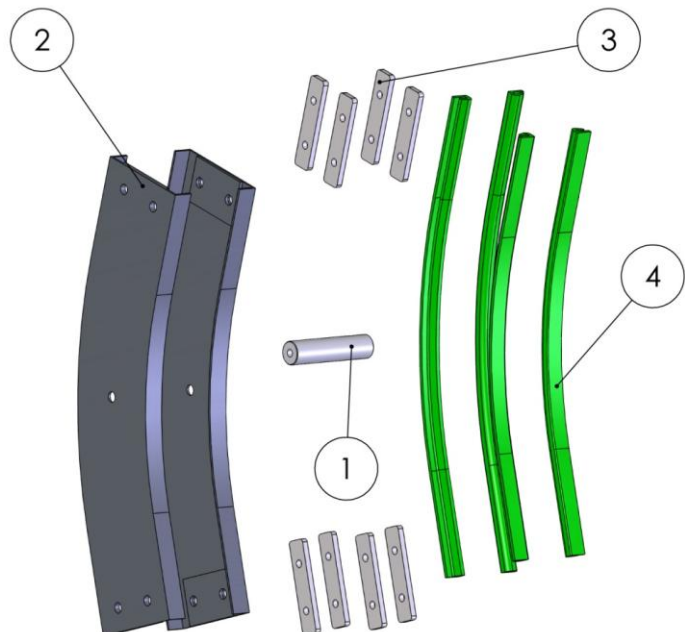
Vertical sliding curves

This type of curve is used to form climbing or descending paths with slants that normally are greater than 11°. In these cases, the conveyor chain must have flights to ensure that the pieces are handled correctly. Vertical curves are made in satin finish stainless steel and are provided on specific request.



Num. Articolo	Descrizione	Codice Articolo
1	SPACER	L5DCV
2	SIDE	F5CSV(ANGOLO)
3	CHANNEL JOINING PLATE	PG1
4	CHAIN SLIDEWAY	GS2

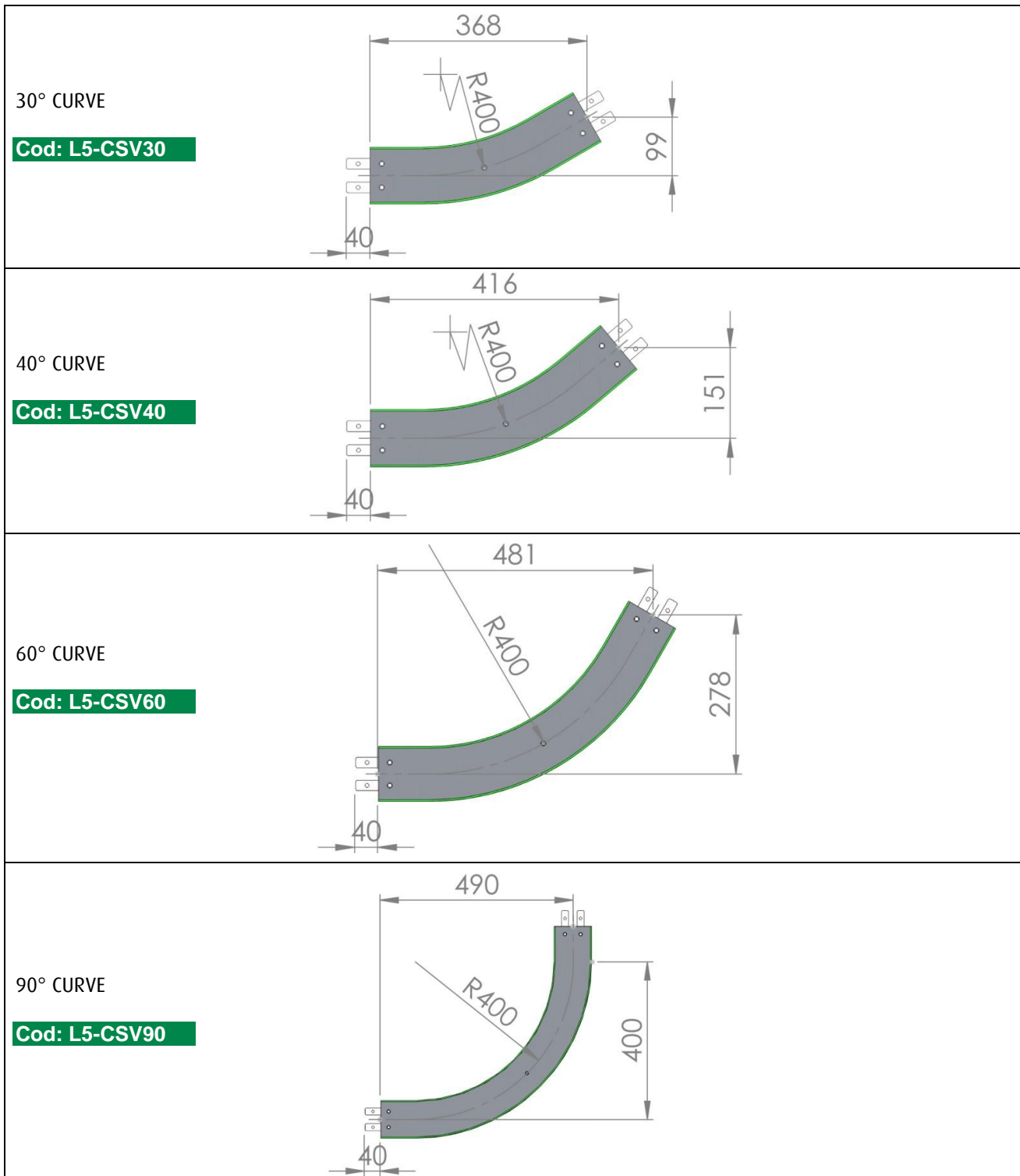
The parts indicated are not sold separately unless they are present in this catalogue in the designated section.





Vertical sliding curves

Note For vertical curves up to 11°, the slope change is created with joining plates.
Channel PG 4 (see page 9).



**SUMMARIZING TABLE OF ORDER CODES FOR CURVES**

Description	Order Code
Curve type	Flat curve with idle disk : L5CF Flat sliding curve : L5CS Slim flat curve with idle disk: : L5CFSL Vertical sliding curve : L5CSV
Material	Standard Aluminum: Stainless Steel: X
Degrees	30 40 (standard only for vertical curves) 45 60 90 180 (In case of realization of curves with out of standard degrees, please insert required degrees)
Number of disks (Only for disk curves)	Single: S Double: D
Average Radius (Only in case of out of standard curves)	Specify average radius dimension in mm

Example of standard curve order code:

30° Flat curve with double idle disk
Cod: L5CF-30-D

Example of out of standard curve order code:

15° Vertical sliding curve with a average radius of 500 mm
Cod: L5CSV-15-R400



Lateral guides

BAT L5 is an open system that allows to use several types of supports and lateral guides found on the market.

The guides shown below can be either fixed or adjustable, depending on client needs.

The corresponding data are correlated to a basic guide format: on request, accessories to increase flexibility are available.

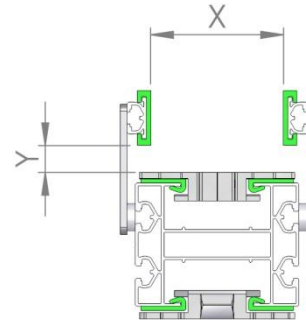
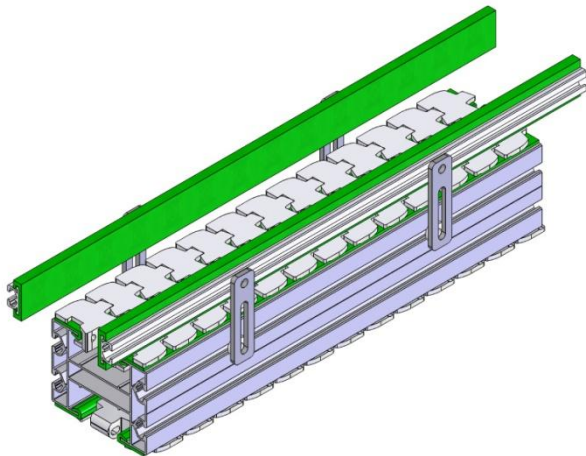
For more technical information and evaluations, please contact our Technical Office.

Making guides in curves are no problem when using fixed guides.

For adjustable guides for curves, please contact our Technical Office.

Fixed guides

L5 GPF1



Composition (per channel meter):

GL40P	: 2 m
GL30A	: 2 m
DS2010A6/16/26	: 4 pieces
PSG95	: 4 pieces

Clearance:

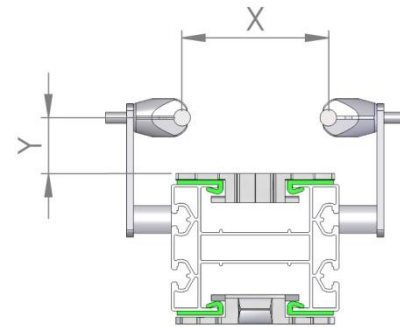
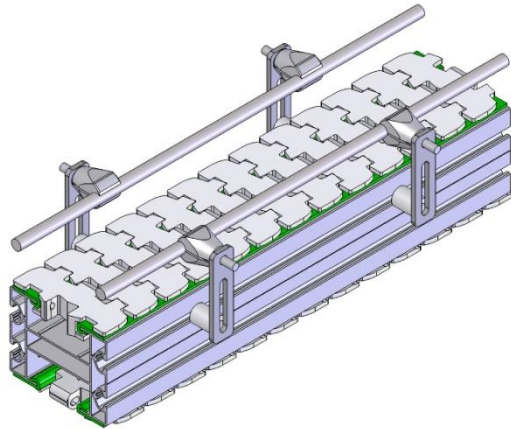
X	: 95 mm minimum*
Y	: 3 ÷ 19 mm*

* The X dimension changes with the length of the aluminum spacer.

The Y dimension varies through the slot in the PSG95 plate.



L5 GPF3



Composition (per channel meter):

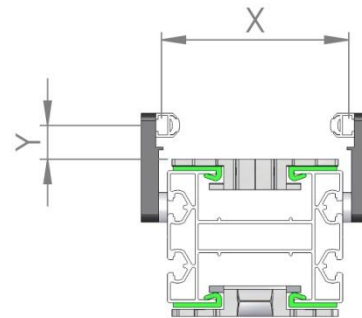
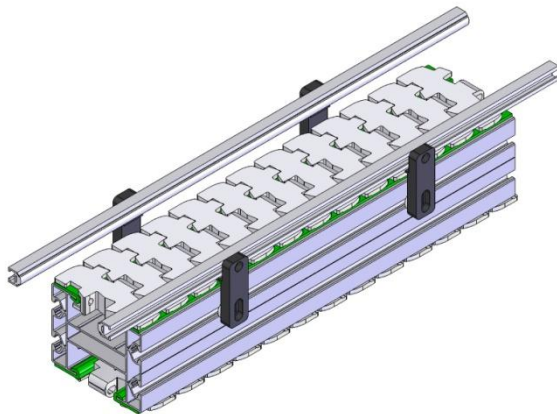
GL12SS	: 2 m
MGT12	: 4 pieces
DS2010A27/37/47	: 4 pieces
PSG95	: 4 pieces

Clearance:

X	: 92 mm minimum*
Y	: 15 ÷ 39 mm*

* The X dimension changes with the length of the aluminum spacer.
The Y dimension varies through the slot in the PSG95 plate.

L5 GPF4



Composition (per channel meter):

GL16PA	: 2 m
DS2010A6/16/26	: 4 pieces
PSG10	: 4 pieces

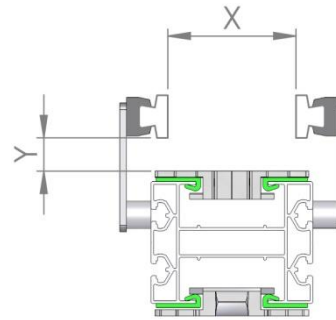
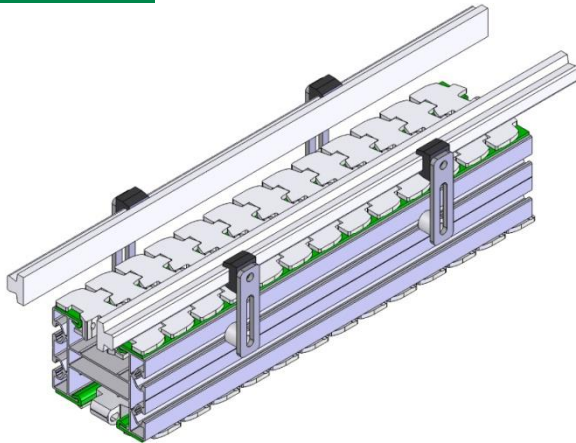
Clearance:

X	: 102 mm minimum*
Y	: 24 mm*

* The X dimension changes with the length of the aluminum spacer.
The Y dimension varies through the slot in the PSG10 plate.



L5 GPF6



Composition (per channel meter):

GL31SS	: 2 m
MGL31SS	: 4 pieces
DS2010A18/28/38	: 4 pieces
PSG95	: 4 pieces

Clearance:

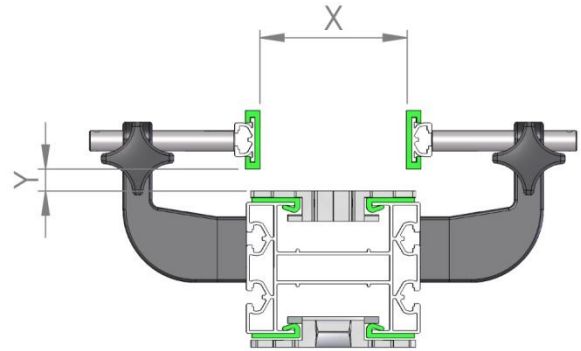
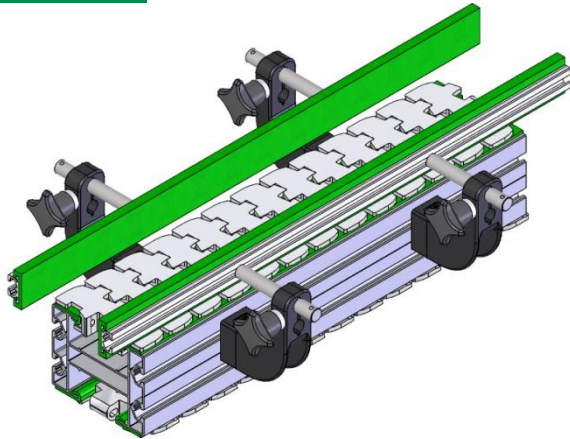
X	: 92 mm minimum*
Y	: 3 ÷ 23 mm*

* The X dimension changes with the length of the aluminum spacer.

The Y dimension varies through the slot in the PSG95 plate.

Adjustable guide

L5 GPR4



Composition (per channel meter):

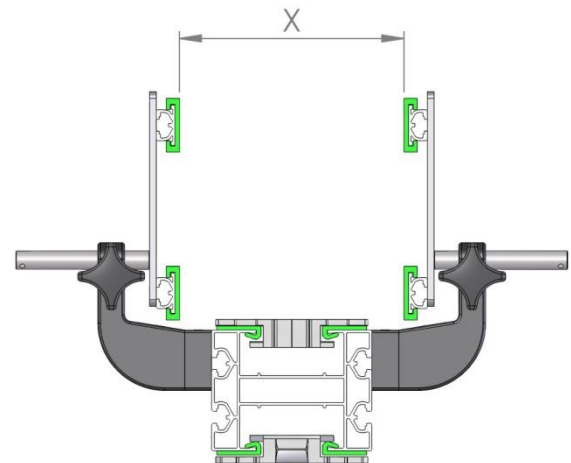
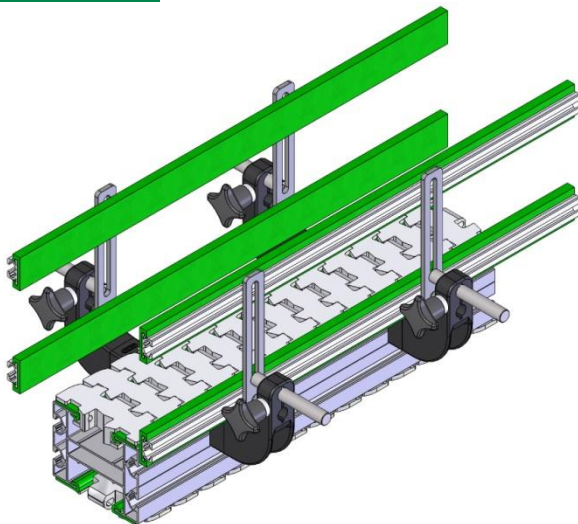
GL40P	: 2 m
GL30A	: 2 m
SG11	: 4 pieces
DS11	: 4/8/12 pieces
PFG14	: 4 pieces

Clearance:

X	: 60 ÷ 110 mm*
Y	: 13 ÷ 35 mm*

* The X dimension depends on the number of DS11 spacers used and the adjustment provided by the PFG14 pin.
The Y dimension is Y varies through the slot in the SG11 support and on the DS11 spacer.

L5 GPR6



Composition (per channel meter):

GL40P	: 4 m
GL30A	: 4 m
SG11	: 4 pieces
DS11	: 4/8/12 pieces
PFG14	: 4 pieces
PSG160	: 4 pieces

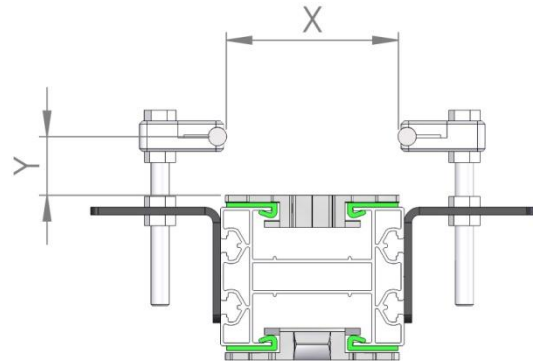
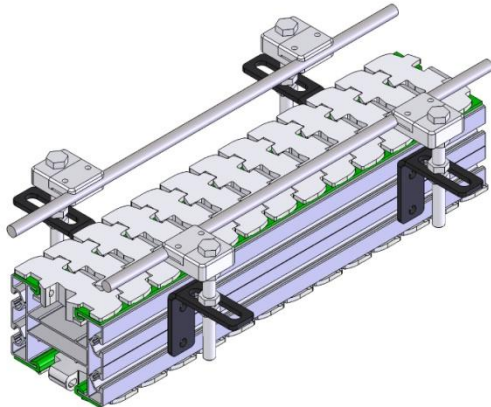
Clearance:

X	: 30 ÷ 82 mm*
---	---------------

* The X dimension depends on the number of DS11 spacers used and the adjustment provided by the PFG14 pin.



L5 GPR7



Composition (per channel meter):

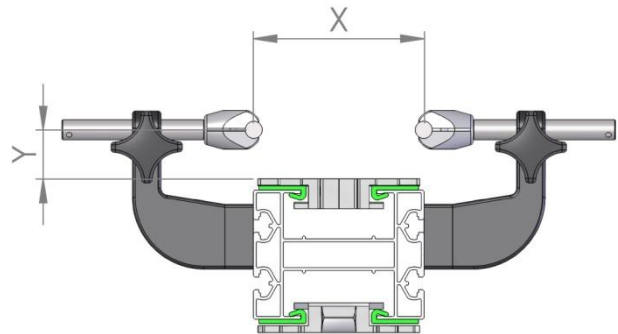
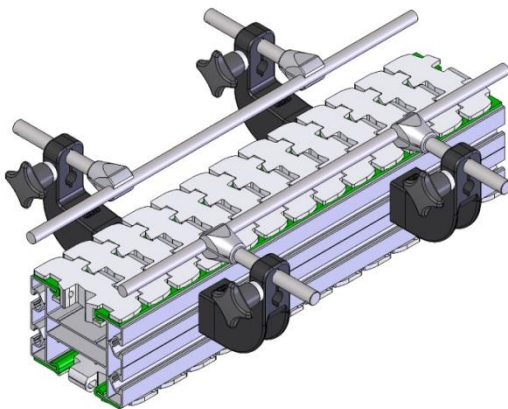
GL12SS	: 2 m
M240-241	: 4 pieces
Bracket 244	: 4 pieces
Screws M12x120	: 4 pieces
PS6020 20/40/60	: 4 pieces

Clearance:

X	: 70 ÷ 150 mm*
Y	: 26 ÷ 80 mm*

* The X dimension changes with the slot on the 244 bracket. The Y dimension can be adjusted with the support screws.

L5 GPR11



Composition (per channel meter):

GL12SS	: 2 m
MGT12	: 4 pieces
SG11	: 4 pieces
SG11DS11	: 4/8/12 pieces
PFG14	: 4 pieces

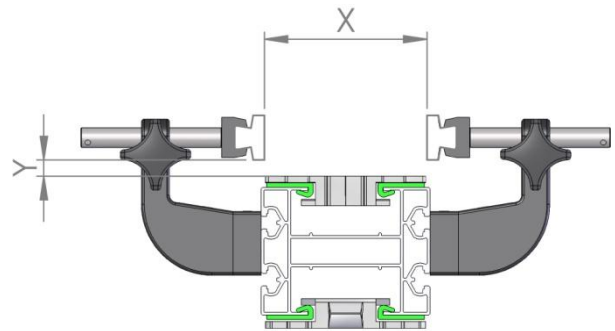
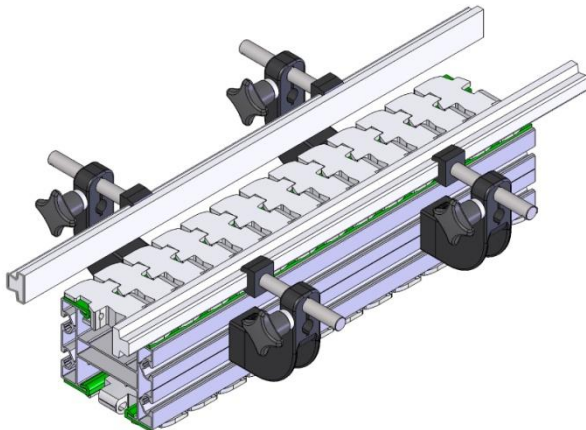
Clearance:

X	: 60 ÷ 120 mm*
Y	: 33 ÷ 55 mm*

* The X dimension depends on the number of DS11 spacers used and the adjustment provided by the PFG14 pin. The Y dimension is Y varies through the slot in the SG11 support and on the DS11 spacer.



L5 GPR17



Composition (per channel meter):

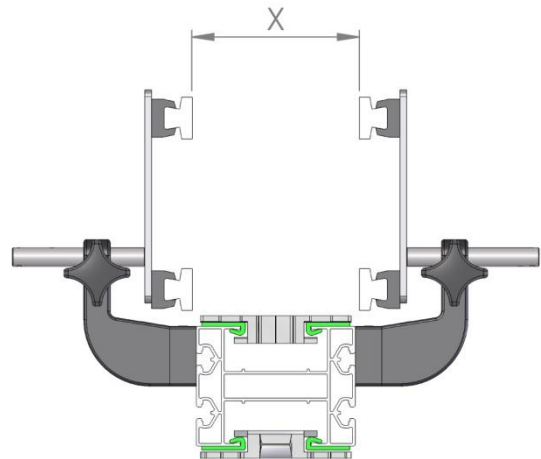
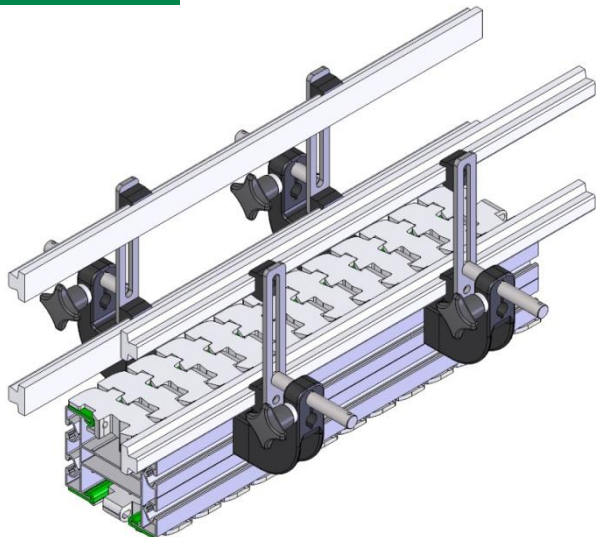
GL315S	: 2 m
MGL315S	: 4 pieces
SG11	: 4 pieces
DS11	: 4/8/12 pieces
PFG14	: 4 pieces

Clearance:

X	: 60 ÷ 100 mm*
Y	: 17 ÷ 39 mm*

* The X dimension depends on the number of DS11 spacers used and the adjustment provided by the PFG14 pin.
The Y dimension is Y varies through the slot in the SG11 support and on the DS11 spacer.

L5 GPR18



Composition (per channel meter):

GL315S	: 4 m
MGL315S	: 8 pieces
SG11	: 4 pieces
DS11	: 4/8/12 pieces
PFG14	: 4 pieces
PSG160	: 4 pieces

Clearance:

X	: 60 ÷ 100 mm*
---	----------------

* The X dimension depends on the number of DS11 spacers used and the adjustment provided by the PFG14 pin.

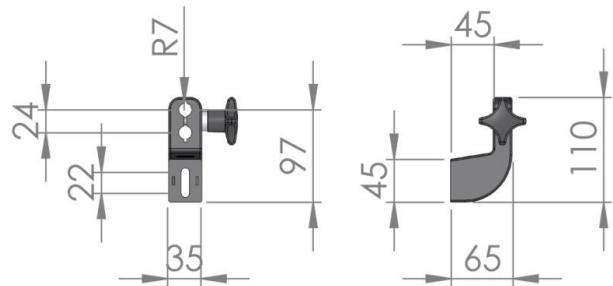


Lateral guides accessories

Support

Material : Polyamide
 Colour : Black
 Packaging : 10 pieces

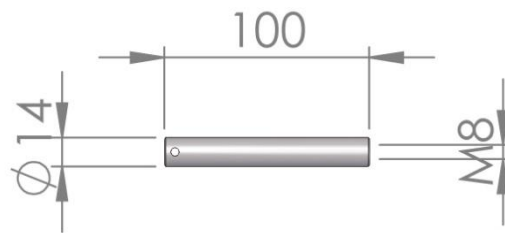
Order Code: SG11



Guide fastening pin

Material : Stainless steel
 Packaging : 10 pieces

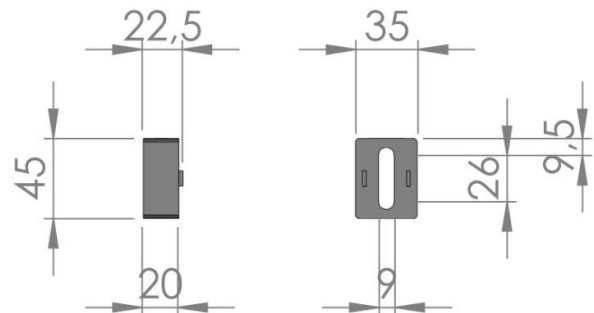
Order Code: PFG14



Support spacer

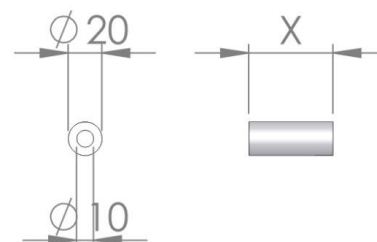
Material : Polyamide
 Colour : Black
 Packaging : 10 pieces

Order Code: DS11



Material : Anodised aluminum
 Packaging : Custom cut into bars

Order Code: DS2010A

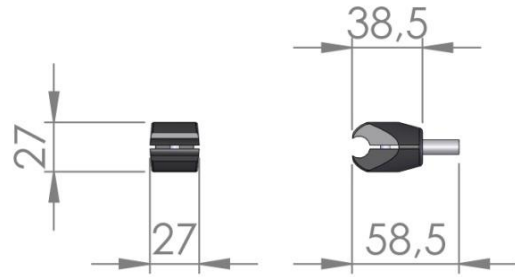




Guide support clamps

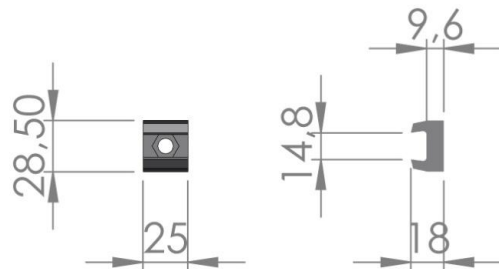
Material : Polyamide
Colour : Black
Packaging : 10 pieces

Order Code: MGT12



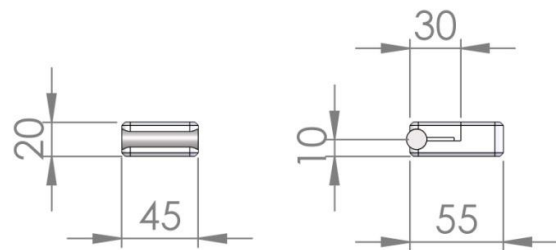
Material : Polyamide
Colour : Black
Packaging : 20 pieces with bolts

Order Code: MGL31SS



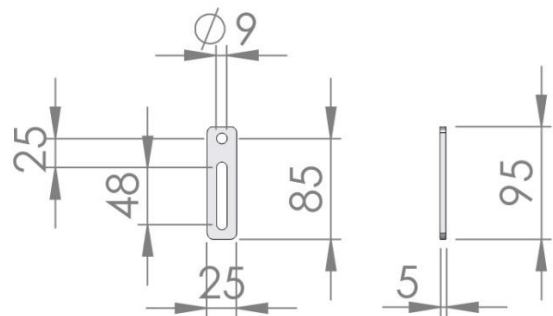
Material : Aluminum
Packaging : 10 pieces

Order Code: MGTB



Material : Stainless steel
Packaging : 10 pieces

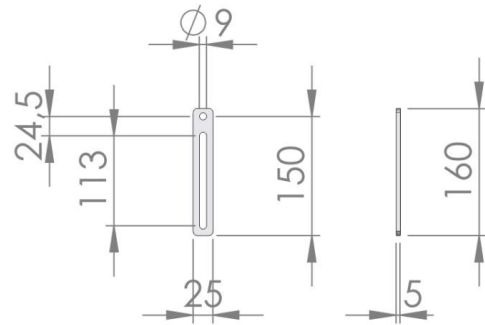
Order Code: PSG95





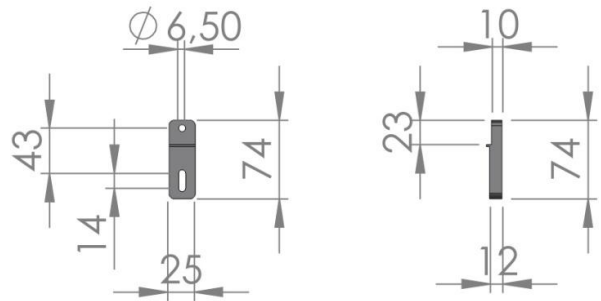
Material : Stainless steel
Packaging : 10 pieces

Order Code: PSG160



Material : Polyamide
Colour : Black
Packaging : 10 pieces

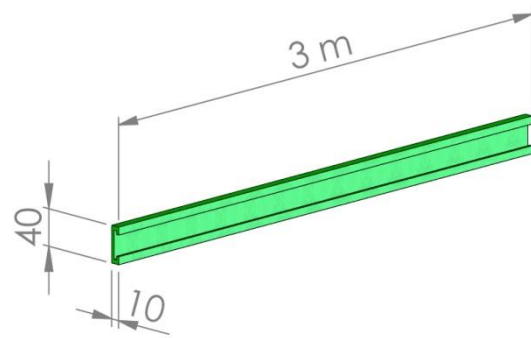
Order Code: PSG10



Profiles

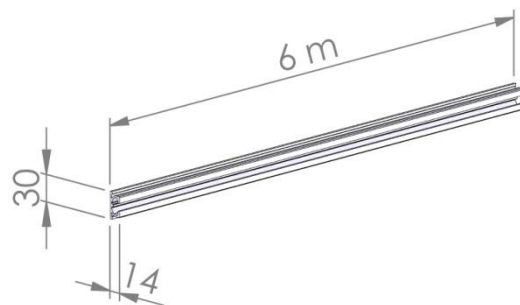
Material : Polyethylene
Colour : Green
Length : 3 m

Order Code: GL40P



Material : Anodized aluminum
Length : 6 m

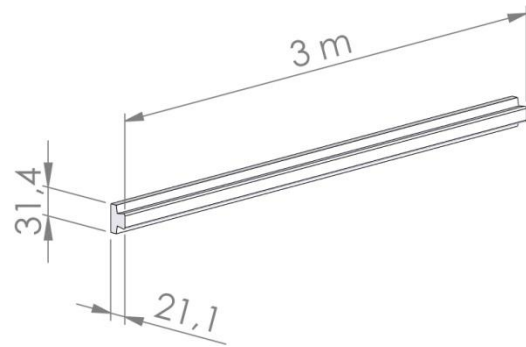
Order Code: GL30A





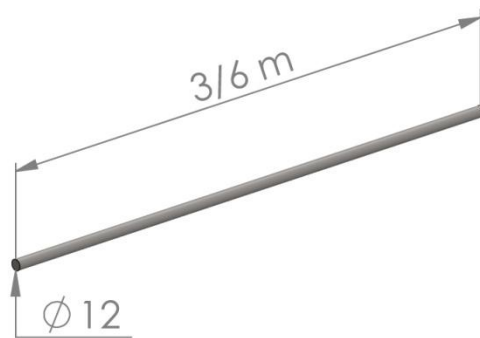
Material : Stainless steel and Polyamide
Colour : White
Length : 3 m

Order Code: GL31SS



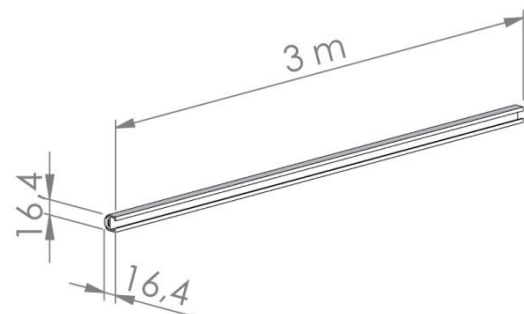
Material : Stainless steel
Length : 3/6 m

Order Code: GL12SS



Material : Anodized aluminum and Polyamide
Colour : White
Length : 3 m

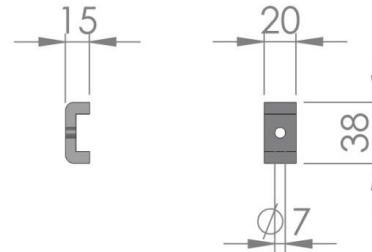
Order Code: GL16A





Intermediate guide (GLP40) clamps

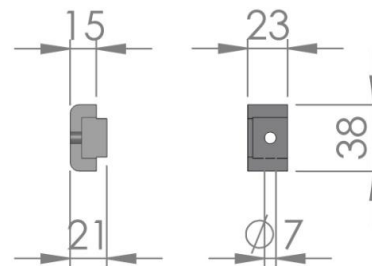
Material : Polyamide
Colour : Black
Packaging : 10 pieces with screws



Order Code: MBPI

Guide (GLP40) clamp for curves

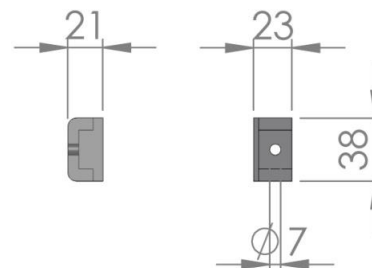
Material : Polyamide
Colour : Black
Packaging : 10 pieces with screws



Order Code: MBPC

Terminal guide (GLP40) clamp

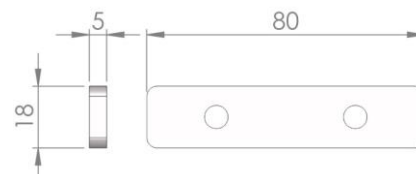
Material : Polyamide
Colour : Black
Packaging : 10 pieces with screws



Order Code: MBPT

Guide joining plate

Material : Galvanized steel
 Stainless steel
Packaging : 50 pieces with bolts



Order Code: PG1
Stainless Steel Version: PGX1



Conveyor support systems

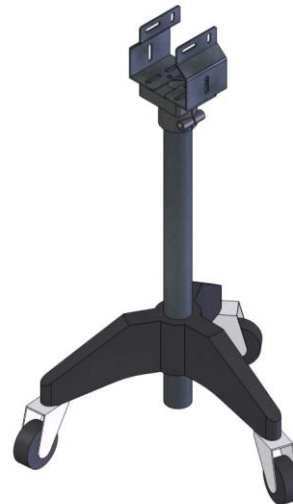
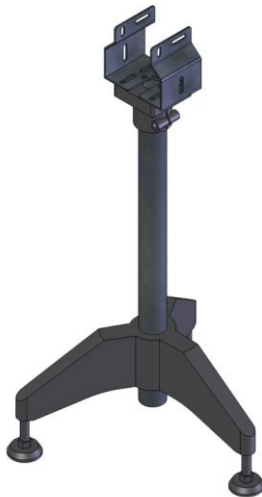
L5 S1

L5S1 system support is composed of a polyamide base with 3 adjustable feet, with a stainless steel tubular at the top of it where are screwed in 2 brackets to support the conveyor channel. The channel is fastened directly on the brackets using the cavities or the holes on the side of the profile. The height of the conveyor can be adjust also with the regulation of the tubular.

Standard feet don't have the anti vibrations rubber, but they can be predispose with the holes to fix the conveyor to the ground. Both the models can be assemble with wheels.

The height of the conveyor chain plan can be adjust between a standard regulation of ± 70 mm.

For the realization of support with a height not included in this standard range or with a wider regulation, please contact our Technical Department



Composition:

- Stainless steel \varnothing 48 mm tubular
- SFC10D : 1 piece
- SFC10S : 1 piece
- PCS10 : 1 piece
- GF20 : 1 piece
- GF50 : 1 piece
- PSR60 : 3 pieces

Composition:

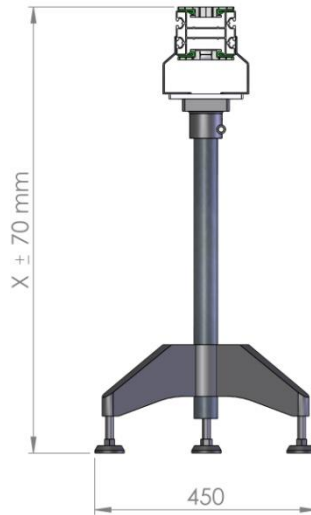
- Stainless steel \varnothing 48 mm tubular
- SFC10D : 1 piece
- SFC10S : 1 piece
- PCS10 : 1 piece
- GF20 : 1 piece
- GF50 : 1 piece
- RP80 : 3 pieces

Order Code: L5S1

Order Code: L5S1R



L5S1



X = required chain level



L5S2D – L5S5D

L5S2D and L5S5D systems support are composed of a two-legged frame built with a painted iron or stainless steel square tubular of two different dimensions:

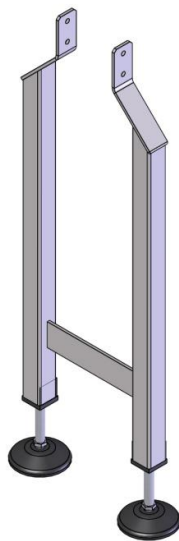
- 40x40 mm for L5S2D system
- 50x50 mm for L5S5D system

The feet at the base of the frame are in polyamide and are adjustable in height, with a maximum of ± 50 mm.

The 2 brackets for the support of the conveyor channel are welded directly on the frame. The channel is fastened on the brackets using the cavities or the holes on the side of the profile.

Standard feet don't have the anti vibrations rubber, but they can be predispose with the holes to fix the conveyor to the ground. Both the models can be assemble with wheels.

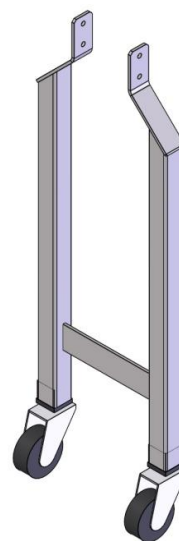
For the realization of support with a height not included in this standard range or with a wider regulation, please contact our Technical Department



Composition:

Square tubular frame 40x40 mm
PSR100

: 2 pieces



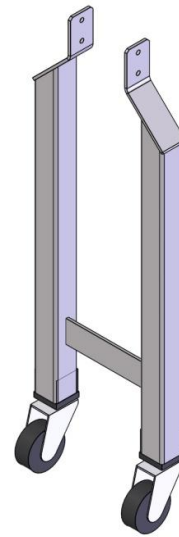
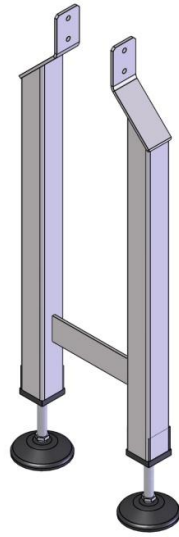
Composition:

Square tubular frame 40x40 mm
RP80

: 2 pieces

Order Code: L5S2D

Order Code: L5S2DR



Composition:

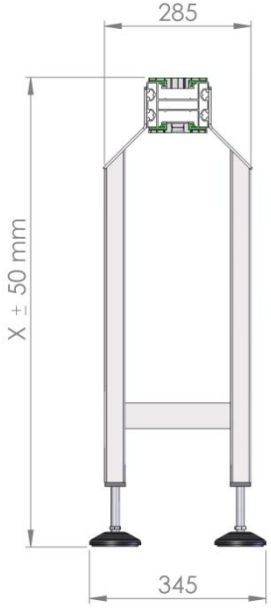
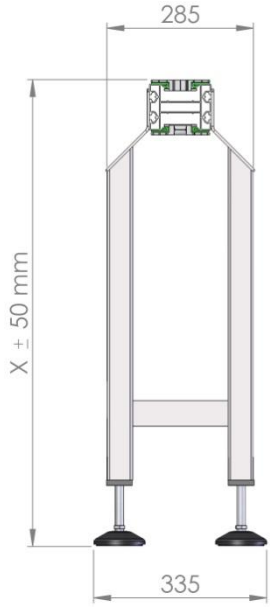
Square tubular frame 50x50 mm
PSR100 : 2 pieces

Composition:

Square tubular frame 50x50 mm
RP80 : 2 pieces

Order Code: L5S5D

Order Code: L5S5DR

L5S2D	L5S5D
	
X = required chain level	X = required chain level

L5S3

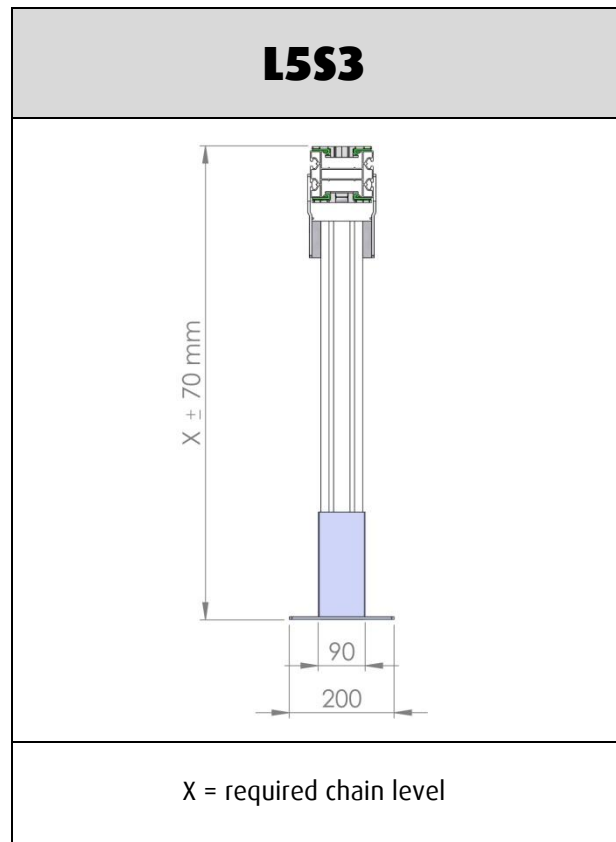
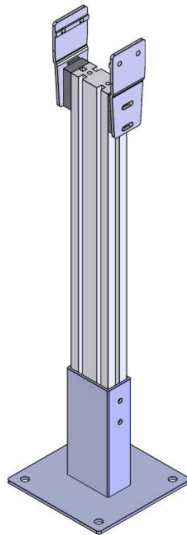
L5S3 system support is composed of a single-legged frame built with a anodized aluminum profile of different dimensions:

- 40x40 mm
- 80x40 mm
- 80x80 mm

The base of the frame is in galvanized steel and is adjustable in height, with a maximum of ± 70 mm.

The 2 brackets for the support of the conveyor channel are screwed directly on the frame, using the cavities on the profile. The channel is fastened on the brackets using the cavities or the holes on the side of the profile.

For the realization of support with a height not included in this standard range or with a wider regulation, please contact our Technical Department



Composition:

- | | |
|---------------------------|------------|
| Frame in aluminum profile | |
| SFC20 | : 2 pieces |
| DS17A40 | : 2 pieces |
| BPSZ8040 | : 1 piece |

Order Code: L5S3



HOW TO WRITE THE ORDER CODES FOR CONVEYOR SUPPORT SYSTEMS

Description	Order Code
Support type	L5S1 L5S1R L5S2D L5S2DR L5S3 L5S5D L5S5DR
Material (if available)	Stainless Steel: X
Chain plan height	H followed from the height measure of the chain plan in mm

Example:

S5D support in stainless steel with height 915 mm
Cod: L5S5D-X-H915

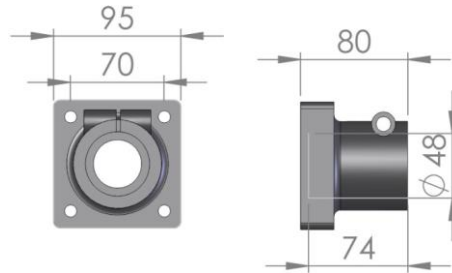


Conveyor support accessories

Accessory drive

Material : Polyamide
 Colour : Black
 Packaging : 10 pieces

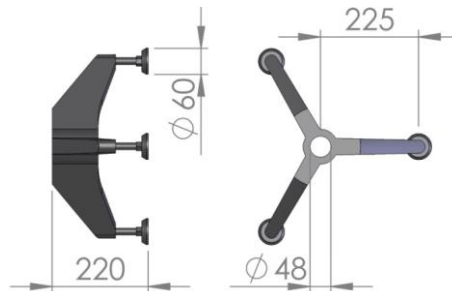
Order Code: GF20



Support base with feet

Material : Reinforced polyamide
 Colour : Black
 Packaging : 8 pieces

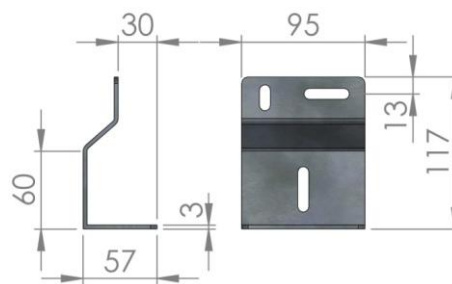
Order Code: GF50



Channel fastening brackets

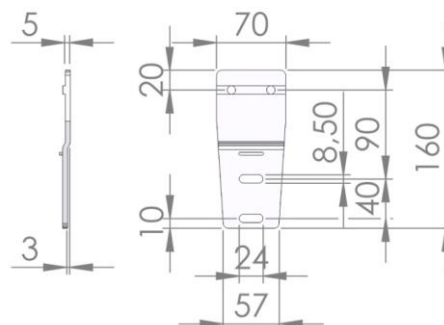
Material : Stainless steel
 Packaging : 10 Pieces (5+5)

Order Code: SFC10D/S



Material : Sanded aluminum
 Packaging : 10 Pieces

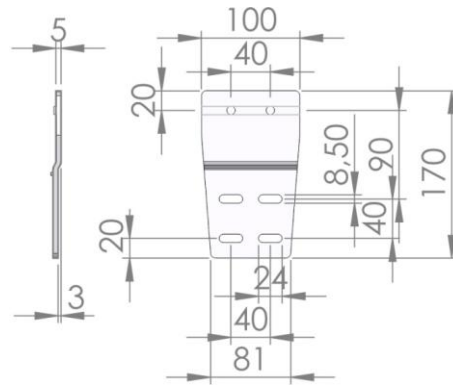
Order Code: SFC20





Material : Sanded aluminum
Packaging : 10 Pieces

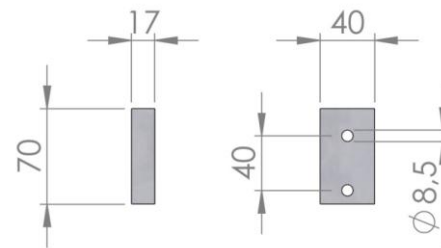
Order Code: SFC30



Bracket spacer

Material : Aluminum
Packaging : 10 Pieces

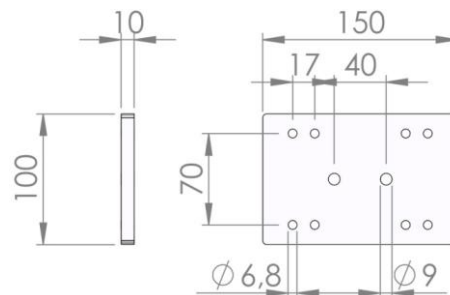
Order Code: DS17A40



Bracket joining plates

Material : Stainless steel
Packaging : 10 Pieces

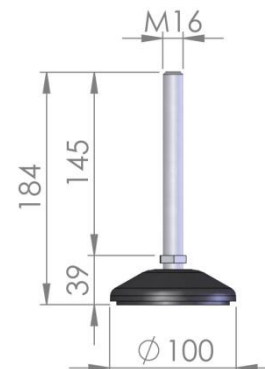
Order Code: PCS10



Support feet

Material : Galvanized steel and Polyamide
Colour : Black
Packaging : 10 pieces

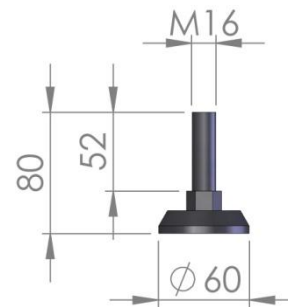
Order Code: PSR100





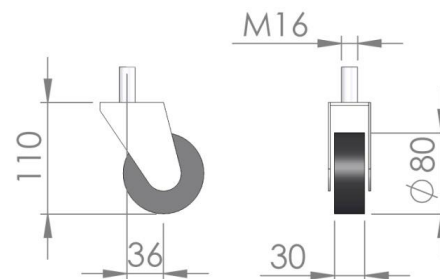
Material : Galvanized steel and Polyamide
Colour : Black
Packaging : 10 pieces

Order Code: PSR60



Material : Galvanized steel and rubber
Packaging : 1 piece

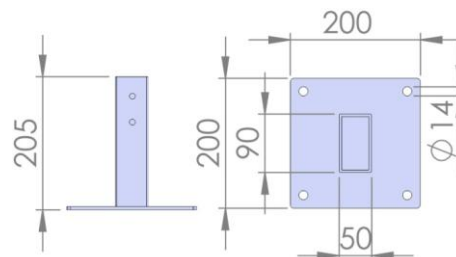
Order Code: RP80



Galvanized steel bases

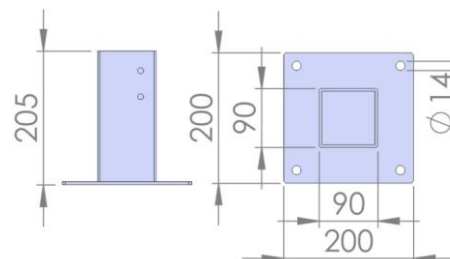
Material : Galvanised steel
Length : 1 piece

Order Code: BPSZ8040



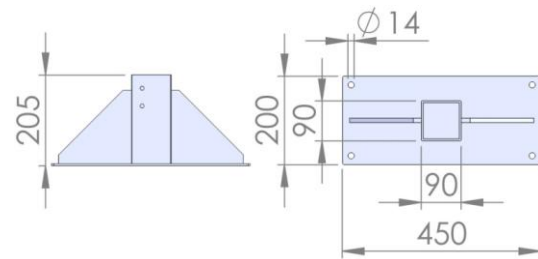
Material : Galvanised steel
Length : 1 piece

Order Code: BPSZ8080





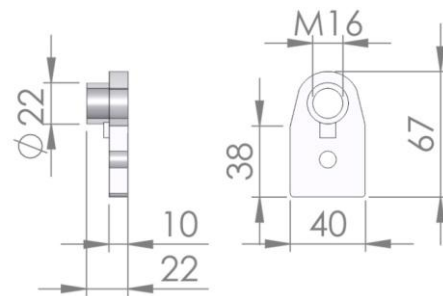
Material : Galvanised steel
Length : 1 piece



Order Code: BPSZ8080L

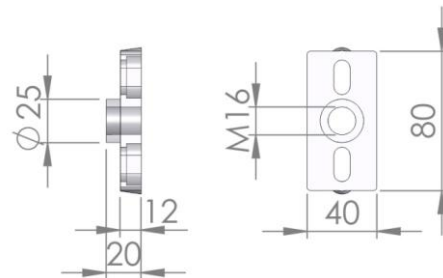
Sanded aluminum bases

Material : Sanded aluminum
Packaging : 10 Pieces



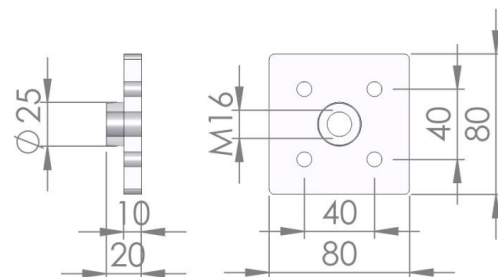
Order Code: BPSA4040

Material : Sanded aluminum
Packaging : 10 Pieces



Order Code: BPSA8040

Material : Sanded aluminum
Packaging : 10 Pieces



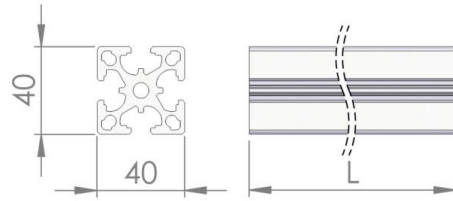
Order Code: BPSA8080



Support profiles

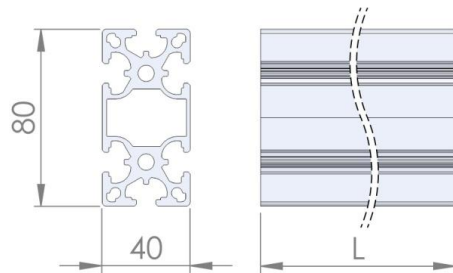
Material : Anodised aluminum
Length : 3÷6 meters in bars

Order Code: PS4040



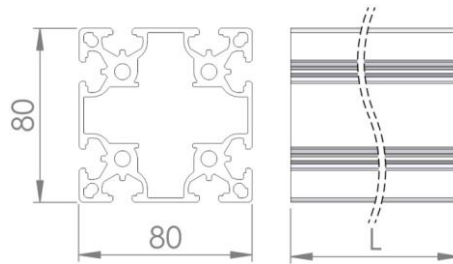
Material : Anodised aluminum
Length : 3÷6 meters in bars

Order Code: PS8040



Material : Anodised aluminum
Length : 3÷6 meters in bars

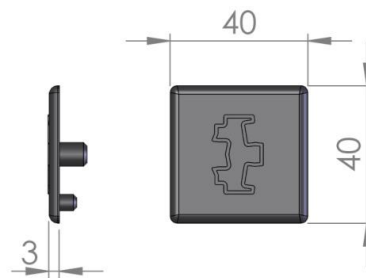
Order Code: PS8080



Profile cap

Material : Polyamide
Colour : Black
Packaging : 10 pieces

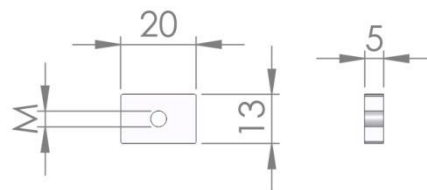
Order Code: TC4040



Square nuts

Material : Galvanized steel
 Stainless steel
Packaging : 100 pieces

Order Code: DRM4/5/6/8

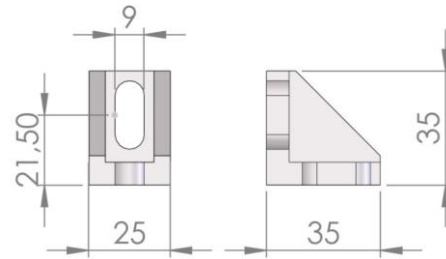




Connecting angles

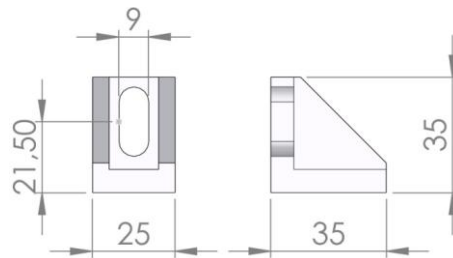
Material : Sanded aluminum
Packaging : 10 Pieces

Order Code: AC3525



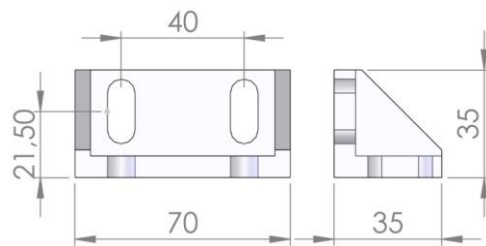
Material : Sanded aluminum
Packaging : 10 Pieces

Order Code: AC3525C



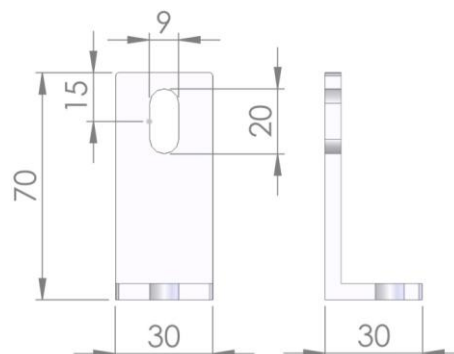
Material : Sanded aluminum
Packaging : 10 Pieces

Order Code: AC3570



Material : Anodized aluminum
Packaging : 10 Pieces

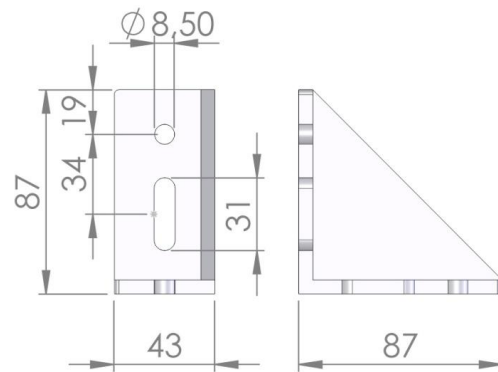
Order Code: AC3070





Material : Sanded aluminum
Packaging : 10 Pieces

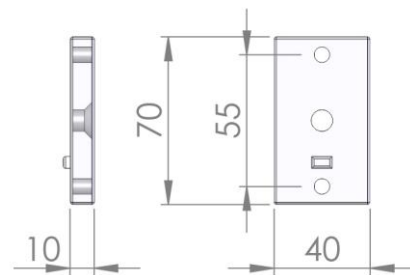
Order Code: AC4387



Profile joining plate

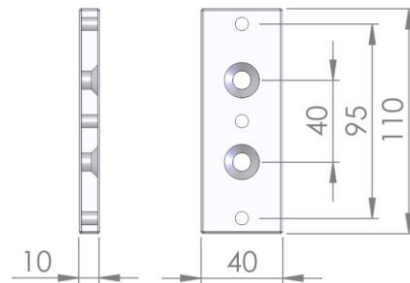
Material : Sanded aluminum
Packaging : 10 Pieces

Order Code: PG4040



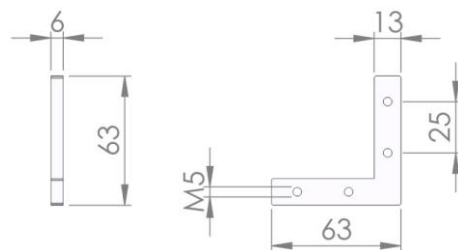
Material : Sanded aluminum
Packaging : 10 Pieces

Order Code: PG8040



Material : Galvanized steel
Packaging : 10 Pieces

Order Code: PG630/45/60/90



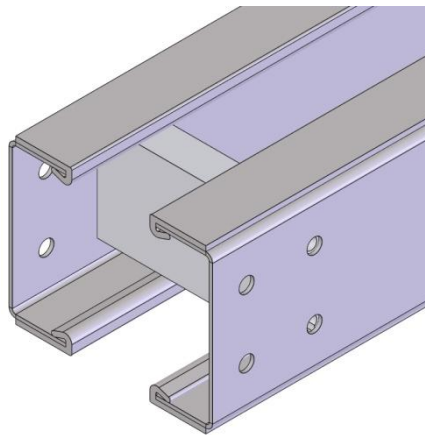


Stainless steel BAT L5

For lines in which the conveyor touches the naked product or where it is necessary that the conveyor channel not have slots or for specific requests, a version of BAT L5 made in stainless steel is available, complete with all the accessories.

Please specify the type of material required for the line when placing the order:

- the simple stainless steel line has a smooth side without slots made in steel sheet, but it still has aluminum spacers inside. The same is true for the curves, end drives and end returns, which all have standard components in aluminum in their interiors.
This type of line is indicated as L5X
- The washable stainless steel line, instead, is made with stainless steel components created specifically for lines that must be washable. In addition to the smooth side without slots, the spacers inside are all made in round stainless steel bars. Even the slide curves (the disk curves contain components not exclusively made of aluminum), end motor drives and return ends are all made so that the conveyor can be washed completely.
This type of line is indicated as L5W



L5 Chain guide channel in stainless steel

Material : Stainless steel
Length : 3 m

**Order Code: L5X
L5W**

